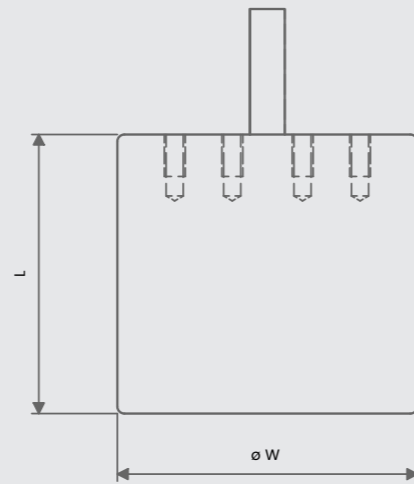


Function: 1-2 | CHANGE OVER

Code	N° pole	Current Ith [A]	AC3 rated power [kW]	Switching Angles	Cable cross section [mm²]	øW [mm]	L [mm]
K1021	1	16	1.5	60°	2 X 1.5 ÷ 2.5	43	29.5
K2021	1	20	2.2	60°	2 X 1.5 ÷ 2.5	43	29.5
K3021	1	25	3	60°	2 X 1.5 ÷ 2.5	43	29.5
K1022	2	16	1.5	60°	2 X 1.5 ÷ 2.5	43	41
K2022	2	20	2.2	60°	2 X 1.5 ÷ 2.5	43	41
K3022	2	25	3	60°	2 X 1.5 ÷ 2.5	43	41
K1023	3	16	2.2	60°	2 X 1.5 ÷ 2.5	43	41
K2023	3	20	4	60°	2 X 1.5 ÷ 2.5	43	41
K3023	3	25	5.5	60°	2 X 1.5 ÷ 2.5	43	41



DISTRIBUITO DA- DISTRIBUTED BY



**GCE SRL**



MILANO - ITALY

[www.antideflagranti.com](http://www.antideflagranti.com)



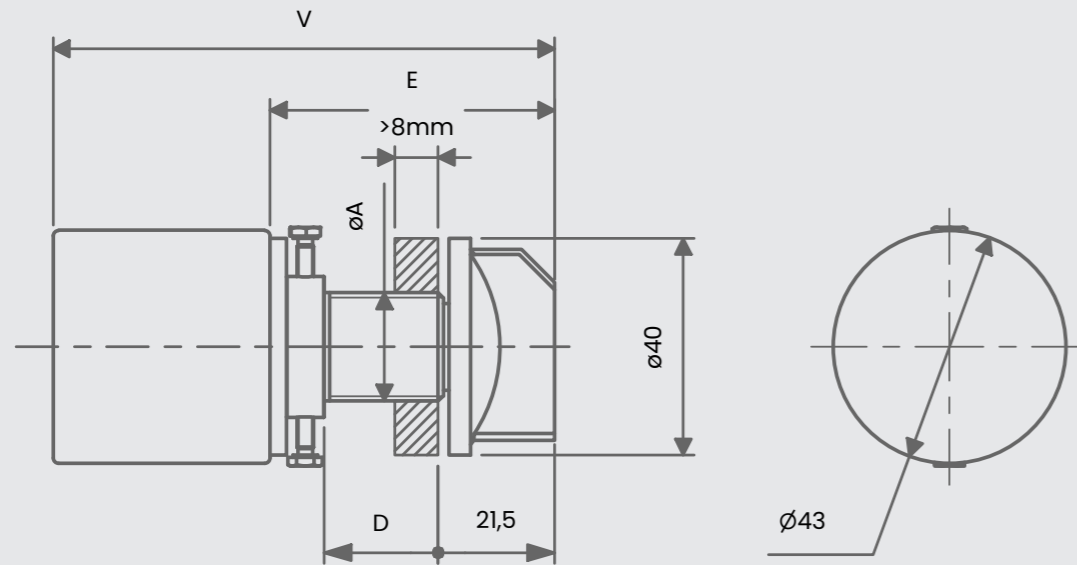


**Series M5B**

- Rotary CAM switch with black plastic knob
- Body in nickel plated brass and other parts in plastic PA6
- Rate degree of protection: IP66
- Cable cross section: 1.5 ÷ 2.5 mm<sup>2</sup>
- Rated insulation voltage: 750V
- Max voltage: 660V
- Max rated operational current: 25A
- AC1 max current value: 16A
- AC3 max current value: 6A
- Max rated power for 3-phase motor 50/60Hz at 380-440V: 5,5 kW

Operating temperature	ATEX Certificate	IECEX Certificate
- 50°C ÷ + 180°C	INERIS 14 ATEX 9016U	IECEX INE 14.0055U

ATEX & IECEX Equipment Data		
Gas	Group I Zone 1	Ex II 2G Ex db IIC or IIB+H2 Gb
Dust	Group II Zone 21	Ex II 2D Ex tb IIIC Db IP66
Mine	Group I	Ex I M2 Ex db I Mb



\* Length changes according to the type of contact chosen

Code	Ø A	D	E	V	Weight (g)
RX20M5B	Threading M20x1.5 - 6g	22	52.5	81 ÷ 105.5	88
RX25M5B	M25x1.5 - 6g	22	52.5	81 ÷ 105.5	119
RS20M5B	M20x1.5 - 6g	37	67.5	96 ÷ 120.5	99
RS25M5B	M25x1.5 - 6g	37	67.5	96 ÷ 120.5	151

**RS SERIES** **RX SERIES**

Suitable for Ex d electrical enclosure  
IIB+H2 Internal Volume < 160,6 dm<sup>3</sup>  
IIC Internal Volume < 62,9 dm<sup>3</sup>

Suitable for Ex d electrical enclosure  
IIB+H2 Internal Volume < 2 dm<sup>3</sup>  
IIC Internal Volume < 2 dm<sup>3</sup>

**ORDER CODING**

Code	Electrical contact
RX20M5B	K1002
RX25M5B	K1003
RS20M5B	K2003
RS25M5B	K3004
	K3021

Example: RX25M5B-K1002

- Body and knob in stainless steel AISI 316L
- Operating temperature: -60°C ÷ +180°C

**INOX VERSION**



DISTRIBUITO DA- DISTRIBUTED BY



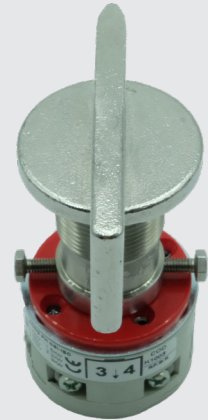
MILANO - ITALY

[www.antideflagrante.com](http://www.antideflagrante.com)

**ORDER CODING**

Codice	Electrical contact
RX120M5B	K1002
RX125M5B	K1003
RS120M5B	K2003
RS125M5B	K3004
	K3021

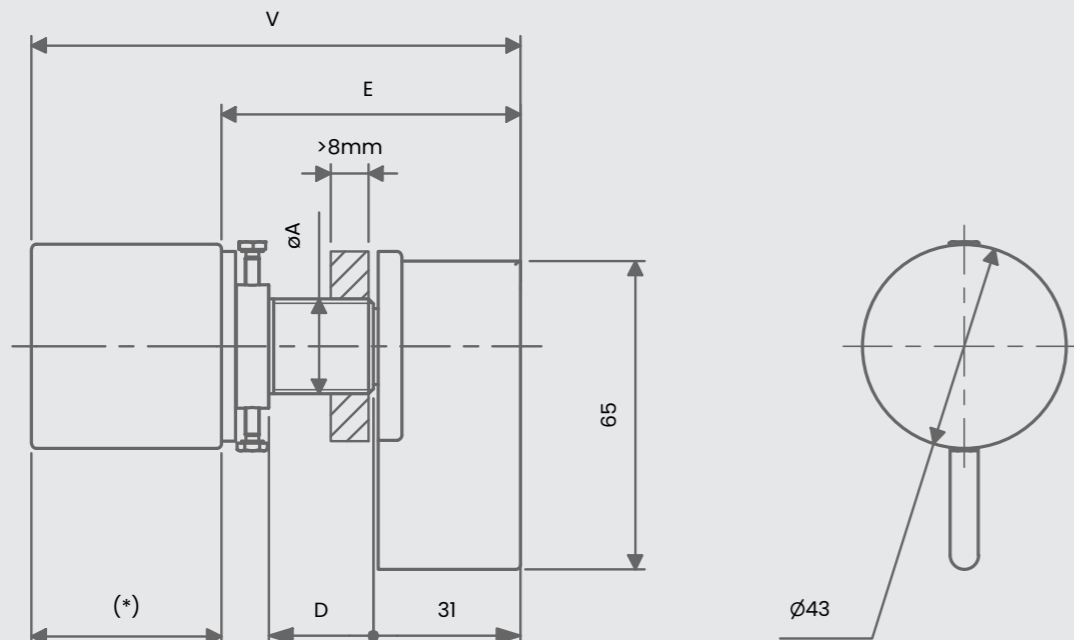
Example: RS125M5B-K1002



- Series M5C**
- Rotary CAM switch with black plastic knob
  - Body in nickel plated brass and other parts in plastic PA6
  - Rate degree of protection: IP66
  - Cable cross section: 1.5 ÷ 2.5 mm<sup>2</sup>
  - Rated insulation voltage: 750V
  - Max voltage: 660V
  - Max rated operational current: 25A
  - AC1 max current value: 16A
  - AC3 max current value: 6A
  - Max rated power for 3-phase motor 50/60Hz at 380-440V: 5,5 kW

Operating temperature	ATEX Certificate	IECEX Certificate
- 50°C ÷ + 180°C	INERIS 14 ATEX 9016U	IECEX INE 14.0055U

ATEX & IECEX Equipment Data		
Gas	Group I Zone 1	Ex II 2G Ex db IIC or IIB+H2 Gb
Dust	Group II Zone 21	Ex II 2D Ex tb IIIC Db IP66
Mine	Group I	Ex I M2 Ex db I Mb



Code	Ø A Threading	D	E	V	Weight (g)
RXI20M5C	M20x1.5 - 6g	22	63	91.5 ÷ 116	88
RXI25M5C	M25x1.5 - 6g	22	63	91.5 ÷ 116	119
RSI20M5C	M20x1.5 - 6g	37	78	106 ÷ 131	99
RSI25M5C	M25x1.5 - 6g	37	78	106 ÷ 161	151

RS SERIES	RX SERIES
Suitable for Ex d electrical enclosure IIB+H2 Internal Volume < 160,6 dm <sup>3</sup> IIC Internal Volume < 62,9 dm <sup>3</sup>	Suitable for Ex d electrical enclosure IIB+H2 Internal Volume < 2 dm <sup>3</sup> IIC Internal Volume < 2 dm <sup>3</sup>

ORDER CODING	
Code	Electrical contact
RXI20M5C	K1002
RXI25M5C	K1003
RSI20M5C	K2003
RSI25M5C	K2023
	K3004
	K3021

Example: RXI25M5C-K1002

DISTRIBUITO DA- DISTRIBUTED BY



**GCE SRL**



MILANO - ITALY

[www.antideflagrante.com](http://www.antideflagrante.com)



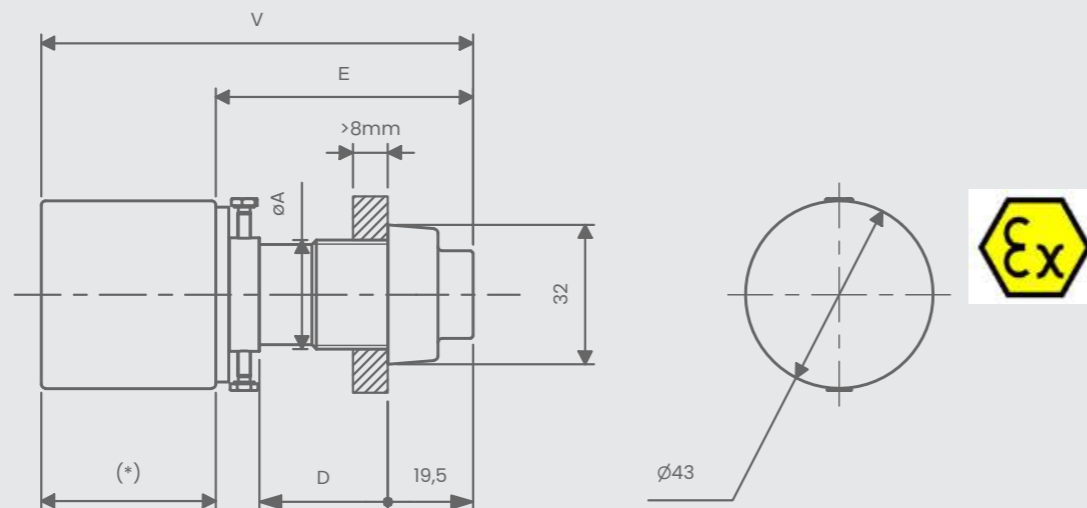
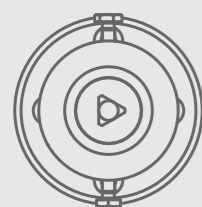
**Series H5**

- Rotary CAM switch with triangle key
- Body in nickel plated brass and other parts in plastic PA6
- Rate degree of protection: IP66
- Cable cross section: 1.5 ÷ 2.5 mm<sup>2</sup>
- Rated insulation voltage: 750V
- Max voltage: 660V
- Max rated operational current: 25A
- AC1 max current value: 16A
- AC3 max current value: 6A
- Max rated power for 3-phase motor 50/60Hz at 380-440V: 5,5 kW

Operating temperature	ATEX Certificate	IECEX Certificate
- 50°C ÷ + 180°C	INERIS 14 ATEX 9016U	IECEX INE 14.0055U

ATEX & IECEX Equipment Data		
Gas	Group I Zone 1	Ex II 2G Ex db IIC or IIB+H2 Gb
Dust	Group II Zone 21	Ex II 2D Ex tb IIIC Db IP66
Mine	Group I	Ex I M2 Ex db I Mb

TRIANGLE KEY SWITCH



\* Length changes according to the type of contact chosen

Code	Ø A Threading	D	E	V	Wheight (g)
RX20H5	M20x1.5 - 6g	14.5	44	72.5 ÷ 97	76
RX25H5	M25x1.5 - 6g	14.5	44	72.5 ÷ 97	107
RS20H5	M20x1.5 - 6g	29.5	59	87.5 ÷ 112	87
RS25H5	M25x1.5 - 6g	29.5	59	87.5 ÷ 112	139

**RS SERIES** **RX SERIES**

Suitable for Ex d electrical enclosure  
IIB+H2 Internal Volume < 160,6 dm<sup>3</sup>  
IIC Internal Volume < 62,9 dm<sup>3</sup>

Suitable for Ex d electrical enclosure  
IIB+H2 Internal Volume < 2 dm<sup>3</sup>  
IIC Internal Volume < 2 dm<sup>3</sup>

**ORDER CODING**

Code	Electrical contact
RX20H5	K1002
RX25H5	K1003
RS20H5	K2003
RS25H5	K2023
	K3004
	K3021

Example: RX25H5-K1002

- Body and ring in stainless steel AISI 316L
- Operating temperature: -60°C ÷ +180°C

DISTRIBUITO DA- DISTRIBUTED BY

**GCE SRL**

MILANO - ITALY

[www.antideflagrante.com](http://www.antideflagrante.com)

INOX VERSION



**ORDER CODING**

Codice	Electrical contact
RXI20H5	K1002
RXI25H5	K1003
RSI20H5	K2003
RSI25H5	K2023
	K3004
	K3021

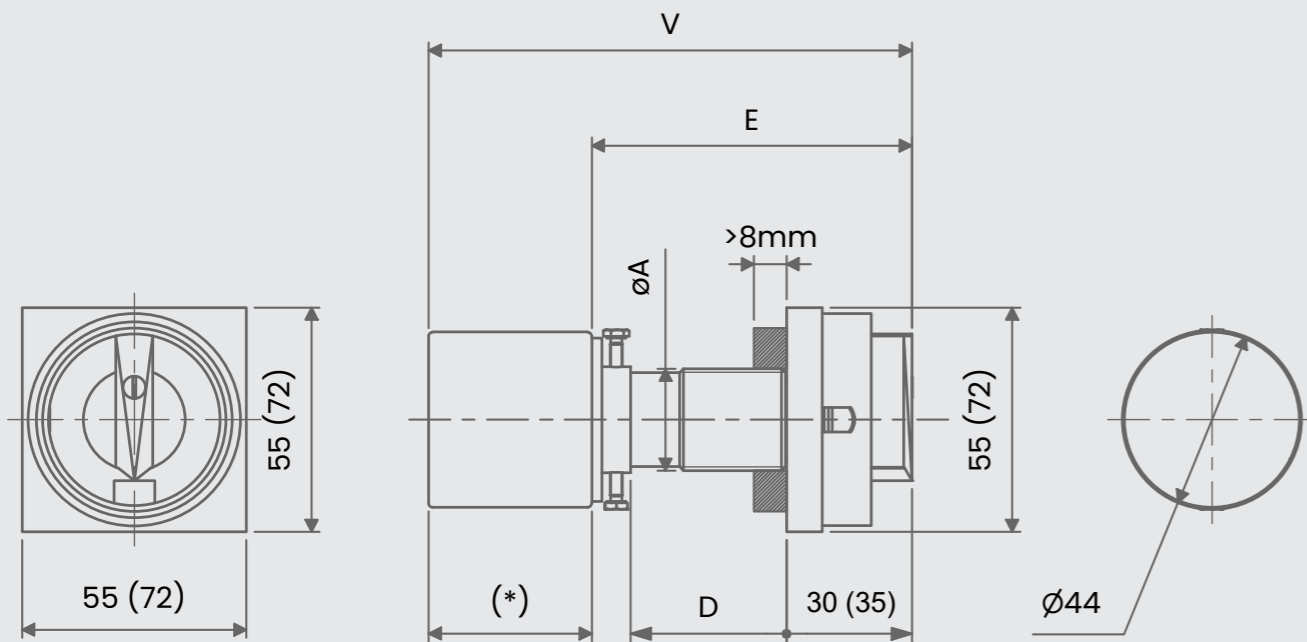
Example: RSI25M5B-K1002



- Series M5L**
- Rotary CAM switch with lockable plastic
  - Body in nickel plated brass and other parts in plastic PA6
  - Rate degree of protection: IP66
  - Cable cross section: 1.5 ÷ 2.5 mm<sup>2</sup>
  - Rated insulation voltage: 750V
  - Max voltage: 660V
  - Max rated operational current: 25A
  - AC1 max current value: 16A
  - AC3 max current value: 6A
  - Max rated power for 3-phase motor 50/60Hz at 380-440V: 5,5 kW

Operating temperature	ATEX Certificate	IECEX Certificate
- 50°C ÷ + 180°C	INERIS 14 ATEX 9016U	IECEX INE 14.0055U

ATEX & IECEX Equipment Data		
Gas	Group I Zone 1	Ex II 2G Ex db IIC or IIB+H2 Gb
Dust	Group II Zone 21	Ex II 2D Ex tb IIIC Db IP66
Mine	Group I	Ex I M2 Ex db I Mb



Code	Ø A	D	E	V	Weight (g)
RX20M5L	Threading M20x1.5 - 6g	21	64 (69)	92.5 (97.5) ÷ 117 (122)	103
RX25M5L	M25x1.5 - 6g	21	64 (69)	92.5 (97.5) ÷ 117 (122)	134
RS20M5L	M20x1.5 - 6g	37	79 (84)	107.5 (112.5) ÷ 132 (137)	114
RS25M5L	M25x1.5 - 6g	37	79 (84)	107.5 (112.5) ÷ 132 (137)	166

RS SERIES	RX SERIES
Suitable for Ex d electrical enclosure IIB+H2 Internal Volume < 160,6 dm <sup>3</sup> IIC Internal Volume < 62,9 dm <sup>3</sup>	Suitable for Ex d electrical enclosure IIB+H2 Internal Volume < 2 dm <sup>3</sup> IIC Internal Volume < 2 dm <sup>3</sup>

ORDER CODING				
Code	Quadrant dimension	Knob color	Quadrant color	Electrical contact
RX20M5L	5 - 55 x 55	R ●	Y ●	K1002
RX25M5L	+ 7 - 72 x 72	B ●	+ G ●	K1003
RS20M5L	+ +			K2003
RS25M5L				K2023
				K3004

Example: RX25M5L5BY-K1002

- Body in stainless steel AISI 316L
- Operating temperature: -60°C ÷ +180°C

INOX VERSION



DISTRIBUITO DA- DISTRIBUTED BY



MILANO - ITALY

www.antideflagrante.com

ORDER CODING				
Code	Quadrant dimension	Knob color	Quadrant color	Electrical contact
RXI20M5L	5 - 55 x 55	R ●	Y ●	K1002
RXI25M5L	+ 7 - 72 x 72	B ●	+ G ●	K1003
RSI20M5L	+ +			K2003
RSI25M5L				K2023
				K3004

Example: RSI25M5B-K1002

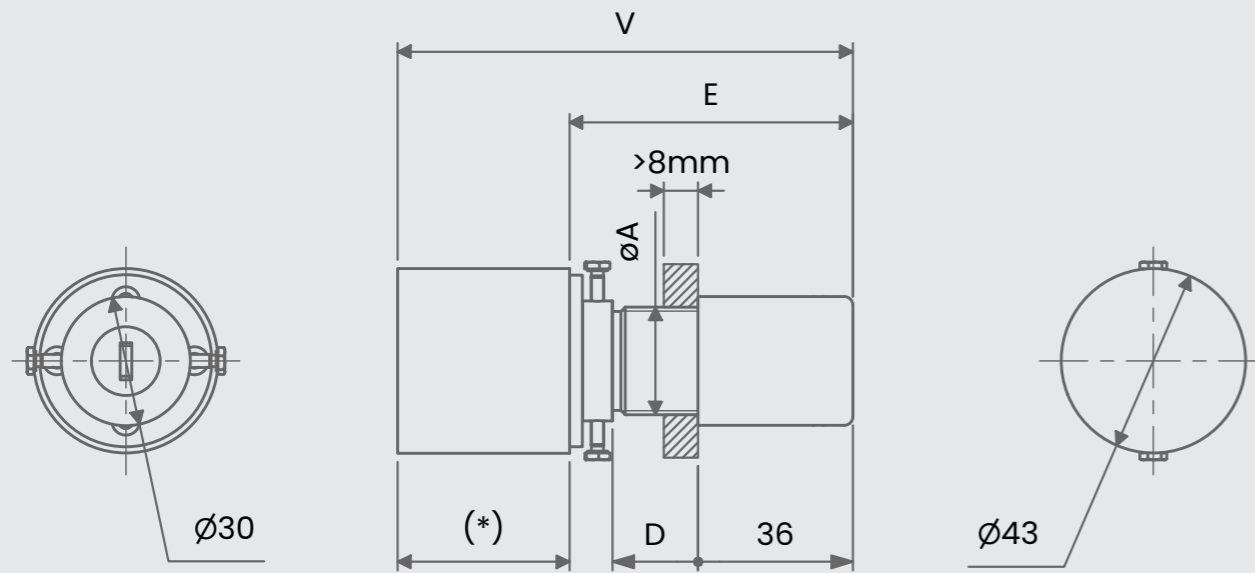


**Series Y5**

- Rotary CAM switch with lockable yale key
- Three different code for yale key
- The extraction of the key can be blocked in different position
- Body in nickel plated brass and other parts in plastic PA6
- Rate degree of protection: IP66
- Cable cross section: 1.5 ÷ 2.5 mm<sup>2</sup>
- Rated insulation voltage: 750V
- Max voltage: 660V
- Max rated operational current: 25A
- AC3 max current value: 6A

Operating temperature	ATEX Certificate	IECEX Certificate
- 50°C ÷ + 180°C	INERIS 14 ATEX 9016U	IECEX INE 14.0055U

ATEX & IECEX Equipment Data		
Gas	Group I Zone 1	Ex II 2G Ex db IIC or IIB+H2 Gb
Dust	Group II Zone 2I	Ex II 2D Ex tb IIIC Db IP66
Mine	Group I	Ex I M2 Ex db I Mb



\* Length changes according to the type of contact chosen

Code	Ø A	D	E	V	Weight (g)
RX20Y5	Threading M20x1.5 - 6g	14.5	51	79.5 ÷ 104	210
RX25Y5	M25x1.5 - 6g	14.5	51	79.5 ÷ 104	276
RS20Y5	M20x1.5 - 6g	29.5	66	94.5 ÷ 119	230
RS25Y5	M25x1.5 - 6g	29.5	66	94.5 ÷ 119	230

RS SERIES	RX SERIES
Suitable for Ex d electrical enclosure IIB+H2 Internal Volume < 160,6 dm <sup>3</sup> IIC Internal Volume < 62,9 dm <sup>3</sup>	Suitable for Ex d electrical enclosure IIB+H2 Internal Volume < 2 dm <sup>3</sup> IIC Internal Volume < 2 dm <sup>3</sup>

ORDER CODING			
Code	Quadrant dimension	Key position	Electrical contact
RX20Y5	A - 3103		K1002
RX25Y5	B - 3108		K1003
RS20Y5	C - 3311		K2003
RS25Y5			K2023
			K3004

Example: RX25Y5Cbf-K1002

Indicate the position where the key cannot be removed.

- Body and ring in stainless steel AISI 316L
- Operating temperature: -60°C ÷ +180°C

DISTRIBUITO DA- DISTRIBUTED BY



MILANO - ITALY

[www.antideflagranti.com](http://www.antideflagranti.com)

INOX VERSION



ORDER CODING			
Code	Quadrant dimension	Key position	Electrical contact
RXI20Y5	A - 3103		K1002
RXI25Y5	B - 3108		K1003
RSI20Y5	C - 3311		K2003
RSI25Y5			K2023
			K3004

Example: RXI25Y5Cbf-K1002

Indicate the position where the key cannot be removed.

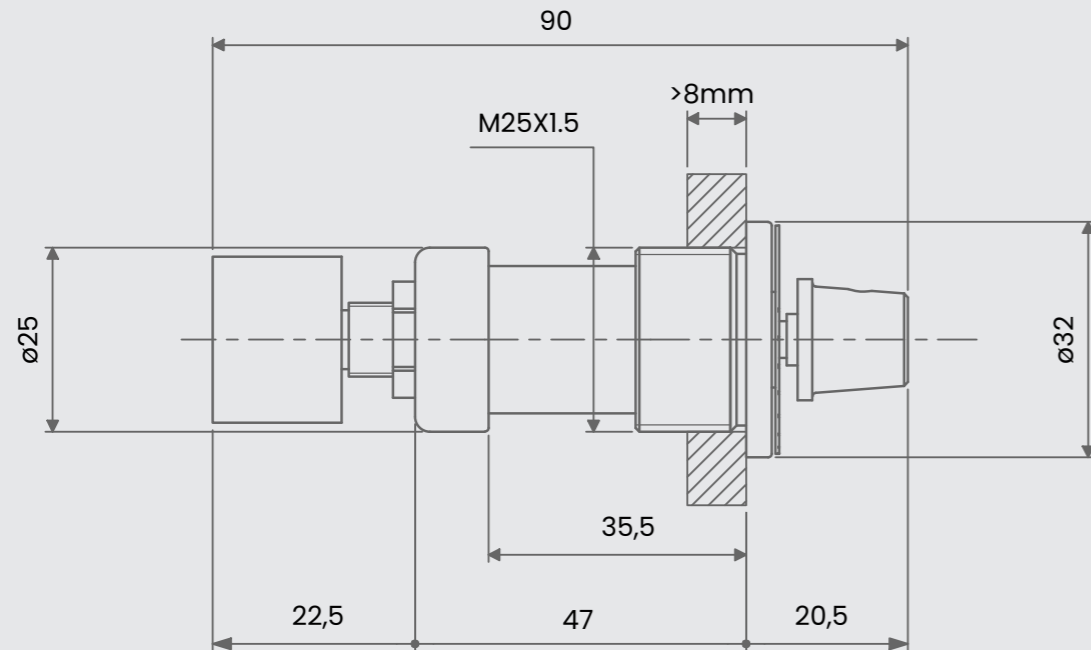


**Series PT**

- Potentiometer single turn
- Body in nickel plated brass
- Resistance range: 5 Ω to 20KΩ (Linear)
- Resistance values: 1.2 and 5 in each decade
- Resistance tolerance: 10%
- Linearity: 2% maximum
- Rated dissipation at 40°C: 1W
- Maximum working voltage: 200V DC
- Electrical rotation: 285° ± 5°
- Maximum wiper current: 100mA
- Insulation resistance: 1000M Ohms at 500V DC

Operating temperature	ATEX Certificate	IECEX Certificate
- 50°C ÷ + 180°C	INERIS 14 ATEX 9016U	IECEX INE 14.0055U

ATEX & IECEX Equipment Data		
Gas	Group I Zone 1	Ex II 2G Ex db IIC or IIB+H2 Gb
Dust	Group II Zone 21	Ex II 2D Ex tb IIIC Db IP66
Mine	Group I	Ex I M2 Ex db I Mb



RS SERIES	RX SERIES
Suitable for Ex d electrical enclosure IIB+H2 Internal Volume < 160,6 dm³ IIC Internal Volume < 62,9 dm³	Suitable for Ex d electrical enclosure IIB+H2 Internal Volume < 2 dm³ IIC Internal Volume < 2 dm³
ORDER CODING	

Code	Electrical contact
RS25PT	TW1101KA (100 Ω) TW1201KA TW1103KA (10 KΩ) (200 Ω) TW1501KA TW1253KA (25 KΩ) (500 Ω) TW1102KA TW1503KA (50 KΩ) (100 KΩ) TW1252KATW1104KA (100 KΩ) (2.5 KΩ) TW1502KATW1254KA (250 KΩ) (5 KΩ)

Example: RS25PT-TW110KA

- Body in stainless steel AISI 316L
- Operating temperature: -60°C ÷ +180°C



DISTRIBUITO DA- DISTRIBUTED BY



MILANO - ITALY  
www.antideflagranti.com

INOX VERSION



ORDER CODING	
Code	Electrical contact
RSI25PT	TW1101KA (100 Ω) TW1201KA TW1103KA (10 KΩ) (200 Ω) TW1501KA TW1253KA (25 KΩ) (500 Ω) TW1102KA TW1503KA (50 KΩ) (100 KΩ) TW1252KATW1104KA (100 KΩ) (2.5 KΩ) TW1502KATW1254KA (250 KΩ) (5 KΩ)

Example: RSI25PT-TW110KA

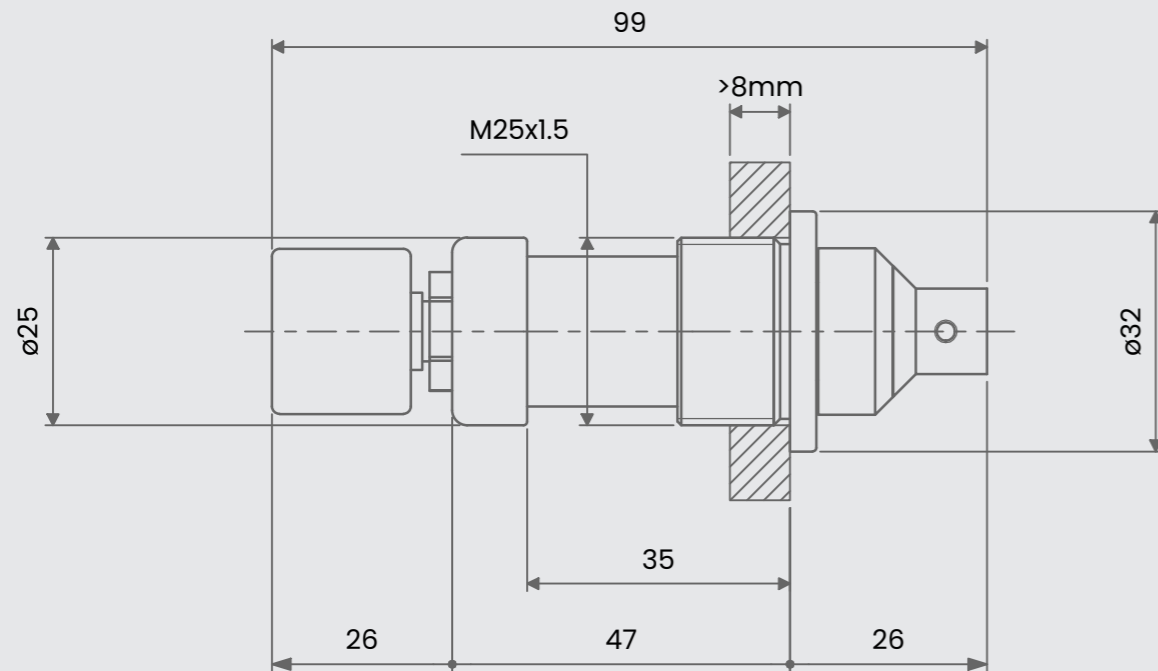


**Series PMA**

- Potentiometer multi turn
- Body in nickel plated brass
- Resistance range: 10 Ω to 200Ω
- Rotation: 360° ±10°
- Power rating (at 70°): 2.0W
- Shaft torque: 3.5 - 100mNm
- Standard tolerance: ±5%
- Noise: 100Ω
- Linearity: ± 0.25%
- Load life: 900h
- Rotational life (shaft revolution): 1 000 000

Operating temperature	ATEX Certificate	IECEX Certificate
- 50°C ÷ + 180°C	INERIS 14 ATEX 9016U	IECEX INE 14.0055U

ATEX & IECEX Equipment Data		
Gas	Group I Zone 1	Ex II 2G Ex db IIC or IIB+H2 Gb
Dust	Group II Zone 21	Ex II 2D Ex tb IIIC Db IP66
Mine	Group I	Ex I M2 Ex db I Mb



DISTRIBUITO DA- DISTRIBUTED BY



MILANO - ITALY  
[www.antideflagranti.com](http://www.antideflagranti.com)

- Body in stainless steel AISI 316L
- Operating temperature: -60°C ÷ +180°C

INOX VERSION



RS SERIES	RX SERIES
Suitable for Ex d electrical enclosure IIB+H2 Internal Volume < 160,6 dm³ IIC Internal Volume < 62,9 dm³	Suitable for Ex d electrical enclosure IIB+H2 Internal Volume < 2 dm³ IIC Internal Volume < 2 dm³

ORDER CODING	
Code	Electrical contact
RS25PMA	534B1101JL (100 Ω)      534B1103JL (10 KΩ)
	534B1201JL (200 Ω)      534B1253JL (25 KΩ)
	534B1501JL (500 Ω)      534B1503JL (50 KΩ)
	534B1102J (1 KΩ)      534B1252JL 534B1104JL (100 KΩ)
	(2.5 KΩ)      534B1502JL 534B1254JL (250 KΩ)
	(5 KΩ)

Example: RS25PMA-5341101JL

ORDER CODING	
Code	Electrical contact
RSI25PMA	534B1101JL (100 Ω)      534B1103JL (10 KΩ)
	534B1201JL (200 Ω)      534B1253JL (25 KΩ)
	534B1501JL (500 Ω)      534B1503JL (50 KΩ)
	534B1102J (1 KΩ)      534B1252JL 534B1104JL (100 KΩ)
	(2.5 KΩ)      534B1502JL 534B1254JL (250 KΩ)
	(5 KΩ)

Example: RSI25PMA-5341101JL



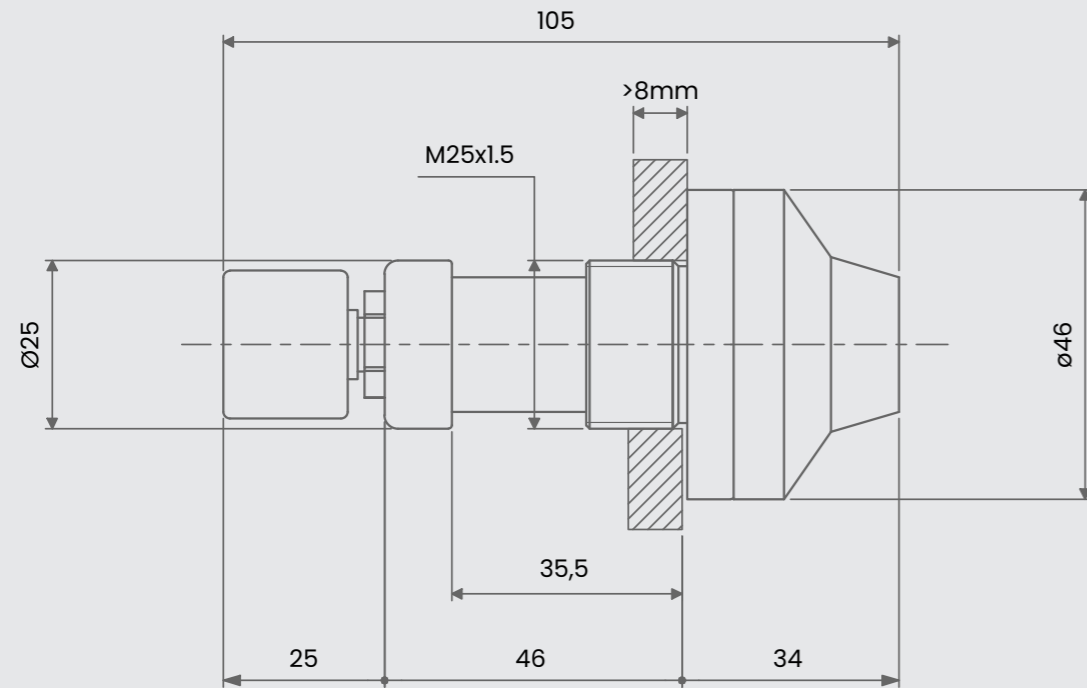


**Series PMB**

- Potentiometer multi turn
- Body in nickel plated brass
- Resistance range: 10 Ω to 200Ω
- Rotation: 3600° ±10°
- Power rating (at 70°): 2.0W
- Shaft torque: 3.5 - 100mNm
- Standard tolerance: ±5%
- Noise: 100Ω
- Linearity: ± 0.25%
- Load life: 900h
- Rotational life (shaft revolution): 1 000 000

Operating temperature	ATEX Certificate	IECEX Certificate
- 50°C ÷ + 180°C	INERIS 14 ATEX 9016U	IECEX INE 14.0055U

ATEX & IECEX Equipment Data		
Gas	Group I Zone 1	Ex II 2G Ex db IIC or IIB+H2 Gb
Dust	Group II Zone 21	Ex II 2D Ex tb IIIC Db IP66
Mine	Group I	Ex I M2 Ex db I Mb



DISTRIBUITO DA- DISTRIBUTED BY



MILANO - ITALY  
[www.antideflagranti.com](http://www.antideflagranti.com)

- Body in stainless steel AISI 316L
- Operating temperature: -60°C ÷ +180°C

INOX VERSION



RS SERIES	RX SERIES
Suitable for Ex d electrical enclosure IIB+H2 Internal Volume < 160,6 dm³ IIC Internal Volume < 62,9 dm³	Suitable for Ex d electrical enclosure IIB+H2 Internal Volume < 2 dm³ IIC Internal Volume < 2 dm³

ORDER CODING			
Code		Electrical contact	
RS25PMB	+	534B1101JL (100 Ω)	534B1103JL (10 KΩ)
		534B1201JL (200 Ω)	534B1253JL (25 KΩ)
		534B1501JL (500 Ω)	534B1503JL (50 KΩ)
		534B1102J (1 KΩ)	534B1104JL (100 KΩ)
		534B1252JL (2.5 KΩ)	534B1254JL (250 KΩ)
		534B1502JL (5 KΩ)	

Example: RS25PMB-5341101JL

ORDER CODING			
Code		Electrical contact	
RSI25PMB	+	534B1101JL (100 Ω)	534B1103JL (10 KΩ)
		534B1201JL (200 Ω)	534B1253JL (25 KΩ)
		534B1501JL (500 Ω)	534B1503JL (50 KΩ)
		534B1102J (1 KΩ)	534B1104JL (100 KΩ)
		534B1252JL (2.5 KΩ)	534B1254JL (250 KΩ)
		534B1502JL (5 KΩ)	

Example: RSI25PMB-5341101JL

DISTRIBUITO DA- DISTRIBUTED BY


**GCE SRL**


MILANO - ITALY

[www.antideflagranti.com](http://www.antideflagranti.com)

## Control Unit

Code	Normally Open	Normally Closed	Nominal Current AC15	Nominal Volatage	Cable Section (mm <sup>2</sup> )	Features
C1	✓		4A	230V	1.5 ÷ 2.5	
C1AU	✓		4A	230V	1.5 ÷ 2.5	Gold plated
C2		✓	4A	230V	1.5 ÷ 2.5	
C2AU		✓	4A	230V	1.5 ÷ 2.5	Gold plated



Normally open contact

## Led light

Code	Nominal Current AC15	Nominal Volatage	Cable Section (mm <sup>2</sup> )	Colour
CB5	5-20mA	12-30V AC/DC	1.5 ÷ 2.5	○
CB6	5-20mA	12-30V AC/DC	1.5 ÷ 2.5	●
CB7	5-20mA	12-30V AC/DC	1.5 ÷ 2.5	●
CB8	5-20mA	12-30V AC/DC	1.5 ÷ 2.5	●
CB9	5-20mA	12-30V AC/DC	1.5 ÷ 2.5	●
CBB	5-20mA	130-230V AC	1.5 ÷ 2.5	○
CBK	5-20mA	130-230V AC	1.5 ÷ 2.5	●
CBM	5-20mA	130-230V AC	1.5 ÷ 2.5	●
CBS	5-20mA	130-230V AC	1.5 ÷ 2.5	●
CBY	5-20mA	130-230V AC	1.5 ÷ 2.5	●



Led CB6

Led light for BA9S socket

Code	Nominal Current AC15	Nominal Volatage	Socket	Colour
LDB93WH	15mA	24V AC/DC	BA9S	○
LDB93RD	15mA	24V AC/DC	BA9S	●
LDB93BU	15mA	24V AC/DC	BA9S	●
LDB93YE	15mA	24V AC/DC	BA9S	●
LDB93GN	15mA	24V AC/DC	BA9S	●
LDB95WH	5mA	115V AC/DC	BA9S	○
LDB95RD	5mA	115V AC/DC	BA9S	●
LDB95BU	5mA	115V AC/DC	BA9S	●
LDB95YE	5mA	115V AC/DC	BA9S	●
LDB95GN	5mA	115V AC/DC	BA9S	●
LDB97GN	3mA	230V AC/DC	BA9S	○
LDB97GN	3mA	230V AC/DC	BA9S	●
LDB97GN	3mA	230V AC/DC	BA9S	●
LDB97GN	3mA	230V AC/DC	BA9S	●
LDB97GN	3mA	230V AC/DC	BA9S	●
LDB97GN	3mA	230V AC/DC	BA9S	●

Led light for BA15S socket

Code	Nominal Current AC15	Nominal Volatage	Socket	Colour
LDB153WH	15mA	24V AC/DC	BA15S	○
LDB153RD	15mA	24V AC/DC	BA15S	●
LDB153BU	15mA	24V AC/DC	BA15S	●
LDB153YE	15mA	24V AC/DC	BA15S	●
LDB153GN	15mA	24V AC/DC	BA15S	●
LDB155WH	5mA	115V AC/DC	BA15S	○
LDB155RD	5mA	115V AC/DC	BA15S	●
LDB155BU	5mA	115V AC/DC	BA15S	●
LDB155YE	5mA	115V AC/DC	BA15S	●
LDB155GN	5mA	115V AC/DC	BA15S	●
LDB157GN	3mA	230V AC/DC	BA15S	○
LDB157GN	3mA	230V AC/DC	BA15S	●
LDB157GN	3mA	230V AC/DC	BA15S	●
LDB157GN	3mA	230V AC/DC	BA15S	●
LDB157GN	3mA	230V AC/DC	BA15S	●
LDB157GN	3mA	230V AC/DC	BA15S	●

DISTRIBUITO DA- DISTRIBUTED BY



**GCE SRL**



MILANO - ITALY

[www.antideflagranti.com](http://www.antideflagranti.com)



Lamp with BA9S socket



Lamp with BA15S socket

Function: 0-1 | ON / OFF

Code	N° pole	Current Ith [A]	AC3 rated power [KW]	Switching Angles	Cable cross section [mm²]	øW [mm]	L [mm]
K1001	1	16	1.5	60°	2 X 1.5 ÷ 2.5	43	29.5
K2001	1	20	2.2	60°	2 X 1.5 ÷ 2.5	43	29.5
K3001	1	25	3	60°	2 X 1.5 ÷ 2.5	43	29.5
K1002	2	16	1.5	60°	2 X 1.5 ÷ 2.5	43	29.5
K2002	2	20	2.2	60°	2 X 1.5 ÷ 2.5	43	29.5
K3002	2	25	3	60°	2 X 1.5 ÷ 2.5	43	29.5
K1003	3	16	1.5	60°	2 X 1.5 ÷ 2.5	43	29.5
K2003	3	20	4	60°	2 X 1.5 ÷ 2.5	43	29.5
K3003	3	25	5.5	60°	2 X 1.5 ÷ 2.5	43	29.5
K1004	4	16	1.5	60°	2 X 1.5 ÷ 2.5	43	41
K2004	4	20	2.2	60°	2 X 1.5 ÷ 2.5	43	41
K3004	4	25	3	60°	2 X 1.5 ÷ 2.5	43	41

Function: 1-0-2 | MAINS TRANSFER

Code	N° pole	Current Ith [A]	AC3 rated power [KW]	Switching Angles	Cable cross section [mm²]	øW [mm]	L [mm]
K1011	1	16	1.5	60°	2 X 1.5 ÷ 2.5	43	29.5
K2011	1	20	2.2	60°	2 X 1.5 ÷ 2.5	43	29.5
K3011	1	25	3	60°	2 X 1.5 ÷ 2.5	43	29.5
K1012	2	16	1.5	60°	2 X 1.5 ÷ 2.5	43	41
K2012	2	20	2.2	60°	2 X 1.5 ÷ 2.5	43	41
K3012	2	25	3	60°	2 X 1.5 ÷ 2.5	43	41
K1013	3	16	2.2	60°	2 X 1.5 ÷ 2.5	43	41
K2013	3	20	4	60°	2 X 1.5 ÷ 2.5	43	41
K3013	3	25	5.5	60°	2 X 1.5 ÷ 2.5	43	41
K1014	4	16	2.2	60°	2 X 1.5 ÷ 2.5	43	53.5
K2014	4	20	4	60°	2 X 1.5 ÷ 2.5	43	53.5
K3014	4	25	5.5	60°	2 X 1.5 ÷ 2.5	43	53.5

DISTRIBUITO DA- DISTRIBUTED BY

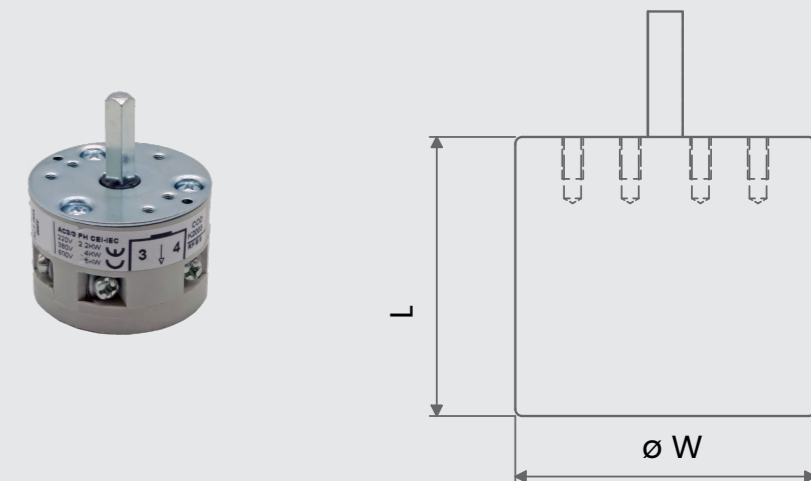
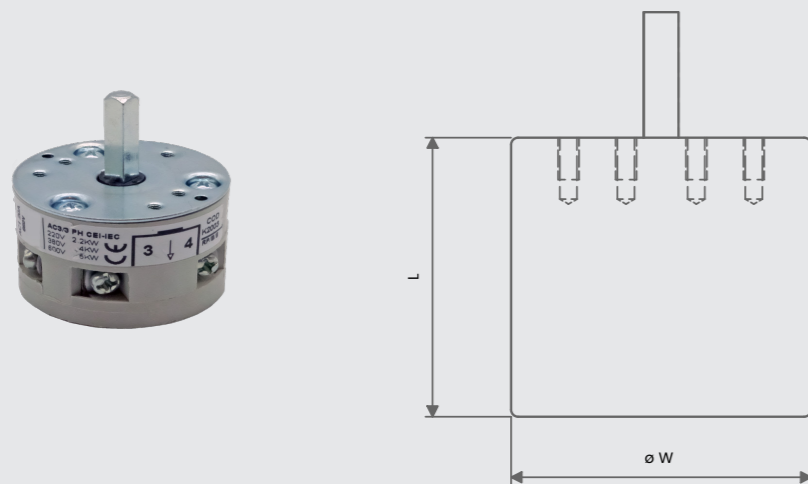


**GCE SRL**



MILANO - ITALY

[www.antideflagranticce.com](http://www.antideflagranticce.com)



# CONTROL AND SIGNALLING UNITS

## RX-RS series



Push button



Membrane P.B.



Lighting P.B.



Contacts



LED



Pilot light



Emergency P.B.



Emergency P.B.



DISTRIBUITO DA- DISTRIBUTED BY

**GCE SRL**



MILANO - ITALY

[www.antideflagranticge.com](http://www.antideflagranticge.com)



Emergency P.B.



Emergency P.B.



Emergency P.B.

**comm@antideflagranticge.com**

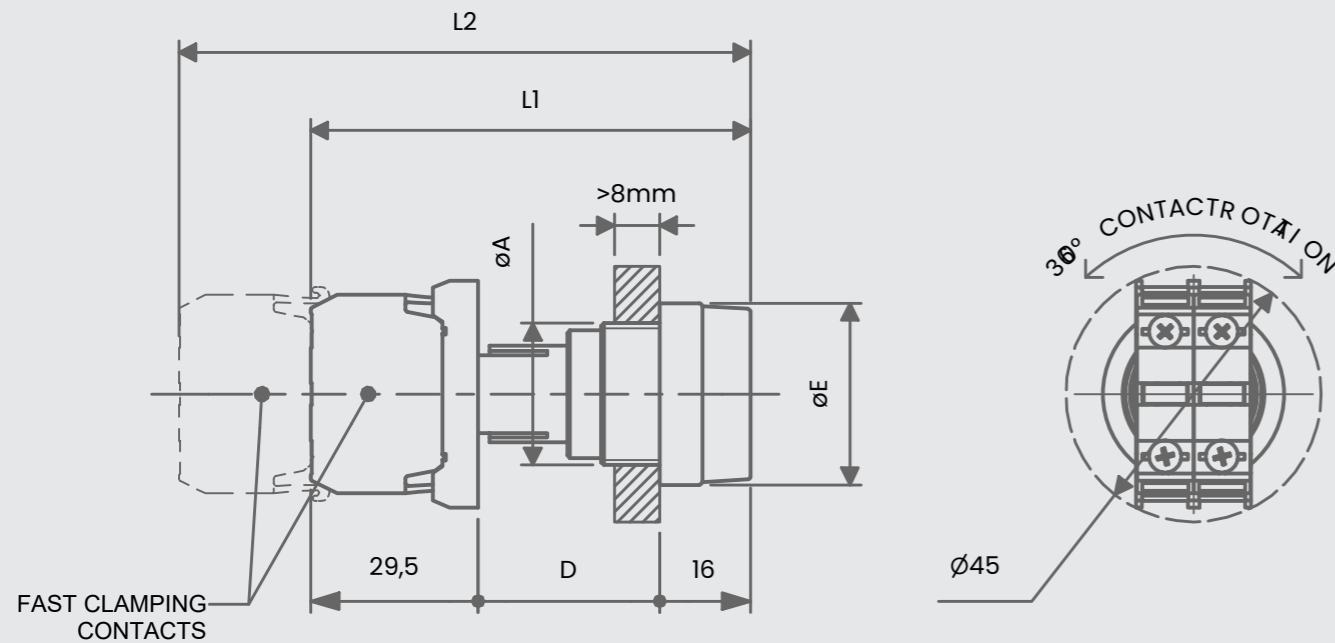


**Series EP**

- Push button spring return up to 4 simultaneous electrical contacts
- Body in nickel plated brass and other parts in plastic PA6
- Rated insulation voltage  $U_i$ : 300V
- Rated impulse voltage  $U_{imp}$ : 2.5 kV
- Nominal voltage: 230V
- AC1 max current value: 10A
- AC15 max current value: 4A

Operating temperature	ATEX Certificate	IECEX Certificate
- 40°C ÷ + 180°C	INERIS 14 ATEX 9016U	IECEX INE 14.0055U

ATEX & IECEX Equipment Data		
Gas	Group I Zone 1	Ex II 2G Ex db IIC or IIB+H2 Gb
Dust	Group II Zone 21	Ex II 2D Ex tb IIIC Db IP66
Mine	Group I	Ex I M2 Ex db I Mb



Code	Ø A	D	Ø E	L1	L2	Weight (g)
<b>RX20EP</b>	Threading M20x1.5 - 6g	26	26	71,5	95	53
<b>RX25EP</b>	M25x1.5 - 6g	26	32	71,5	95	69,5
<b>RS20EP</b>	M20x1.5 - 6g	32	26	77,5	101	66,5
<b>RS25EP</b>	M25x1.5 - 6g	32	32	77,5	101	90,5

RS SERIES	RX SERIES
Suitable for Ex d electrical enclosure IIB+H2 Internal Volume < 160,6 dm <sup>3</sup> IIC Internal Volume < 62,9 dm <sup>3</sup>	Suitable for Ex d electrical enclosure IIB+H2 Internal Volume < 2 dm <sup>3</sup> IIC Internal Volume < 2 dm <sup>3</sup>

ORDER CODING			
Code	Button color	Normally open contact	Normally close contact
RX20EP	BK ●	0 - 0 NO	0 - 0 NC
RX25EP	BU ●	1 - 1 NO	1 - 1 NC
RS20EP	YE ●	2 - 2 NO	2 - 2 NC
RS25EP	RD ●	3 - 3 NO	3 - 3 NC
	GN ●	4 - 4 NO	4 - 4 NC
	WH ○		

Example: RX20EPYE11

DISTRIBUITO DA- DISTRIBUTED BY



**GCE SRL**



MILANO - ITALY

[www.antideflagranti.com](http://www.antideflagranti.com)

- Body and ring in stainless steel AISI 316L
- Operating temperature: -60°C ÷ +180°C

INOX VERSION



ORDER CODING			
Codice	Button color	Normally open contact	Normally close contact
RX120EP	BK ●	0 - 0 NO	0 - 0 NC
RX125EP	BU ●	1 - 1 NO	1 - 1 NC
RS120EP	YE ●	2 - 2 NO	2 - 2 NC
RS125EP	RD ●	3 - 3 NO	3 - 3 NC
	GN ●	4 - 4 NO	4 - 4 NC
	WH ○		

Example: RX120EPBU11



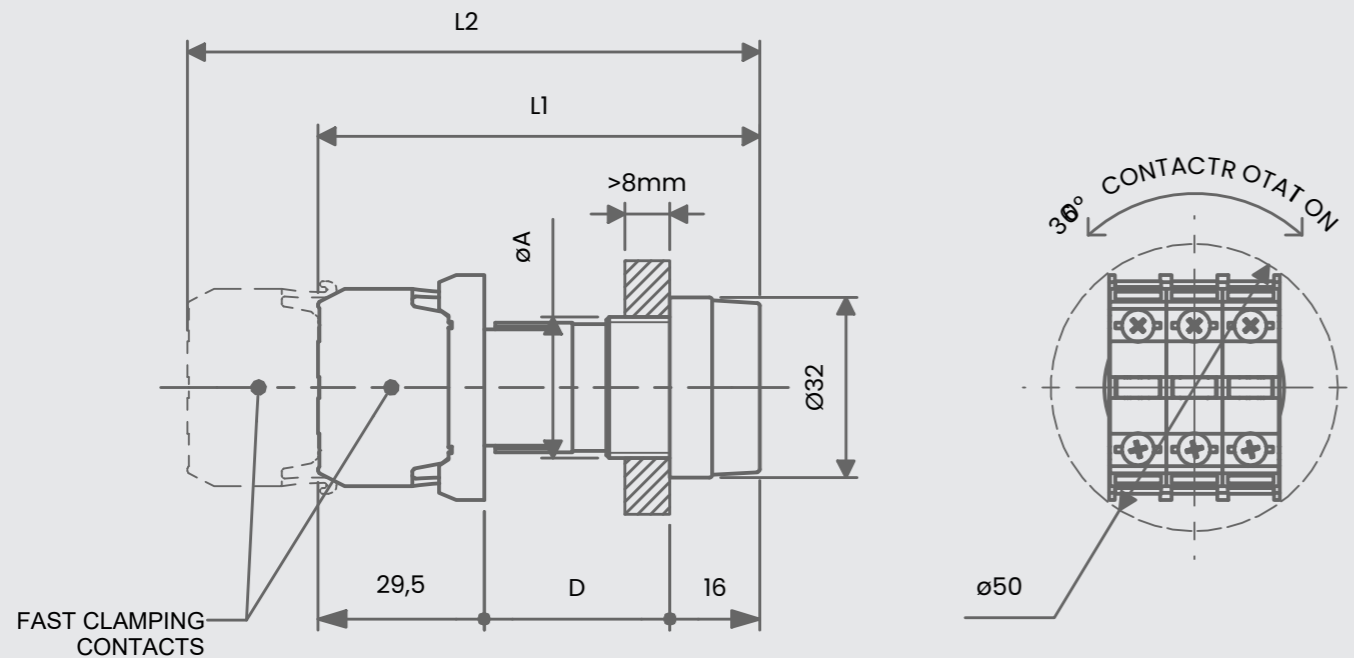
**Series EP3**

UP TO 6 CONTACTS

- Push button spring return up to 6 simultaneous electrical contacts
- Body in nickel plated brass and other parts in plastic PA6
- Rated insulation voltage  $U_i$ : 300V
- Rated impulse voltage  $U_{imp}$ : 2.5 kV
- Nominal voltage: 230V
- AC1 max current value: 10A
- AC15 max current value: 4A

Operating temperature	ATEX Certificate	IECEX Certificate
- 40°C ÷ + 180°C	INERIS 14 ATEX 9016U	IECEX INE 14.0055U

ATEX & IECEX Equipment Data		
Gas	Group I Zone 1	Ex II 2G Ex db IIC or IIB+H2 Gb
Dust	Group II Zone 21	Ex II 2D Ex tb IIIC Db IP66
Mine	Group I	Ex I M2 Ex db I Mb



Code	ø A	D	L1	L2	Weight (g)
RX25EP3	Threading M25x1.5 - 6g	27	72,5	96	72
RS25EP3	M25x1.5 - 6g	33	78,5	102	95

RS SERIES	RX SERIES
Suitable for Ex d electrical enclosure IIB+H2 Internal Volume < 160,6 dm <sup>3</sup> IIC Internal Volume < 62,9 dm <sup>3</sup>	Suitable for Ex d electrical enclosure IIB+H2 Internal Volume < 2 dm <sup>3</sup> IIC Internal Volume < 2 dm <sup>3</sup>

ORDER CODING			
Code	Button color	Normally open contact	Normally close contact
RX25EP3	BK ●	0 - 0 NO	0 - 0 NC
	BU ●	1 - 1 NO	1 - 1 NC
	YE ●	2 - 2 NO	2 - 2 NC
RS25EP3	RD ●	3 - 3 NO	3 - 3 NC
	GN ●	4 - 4 NO	4 - 4 NC
	WH ○	5 - 5 NO	5 - 5 NC
		6 - 6 NO	6 - 6 NC

Example: RX25EPWH11

- Body and ring in stainless steel AISI 316L
- Operating temperature: -40°C ÷ +180°C

DISTRIBUITO DA- DISTRIBUTED BY



**GCE SRL**



MILANO - ITALY

www.antideflagranti.com



ORDER CODING			
Code	Button color	Normally open contact	Normally close contact
RXI25EP3	BK ●	0 - 0 NO	0 - 0 NC
	BU ●	1 - 1 NO	1 - 1 NC
	YE ●	2 - 2 NO	2 - 2 NC
RSI25EP3	RD ●	3 - 3 NO	3 - 3 NC
	GN ●	4 - 4 NO	4 - 4 NC
	WH ○	5 - 5 NO	5 - 5 NC
		6 - 6 NO	6 - 6 NC

Example: RSI25EP3WH11

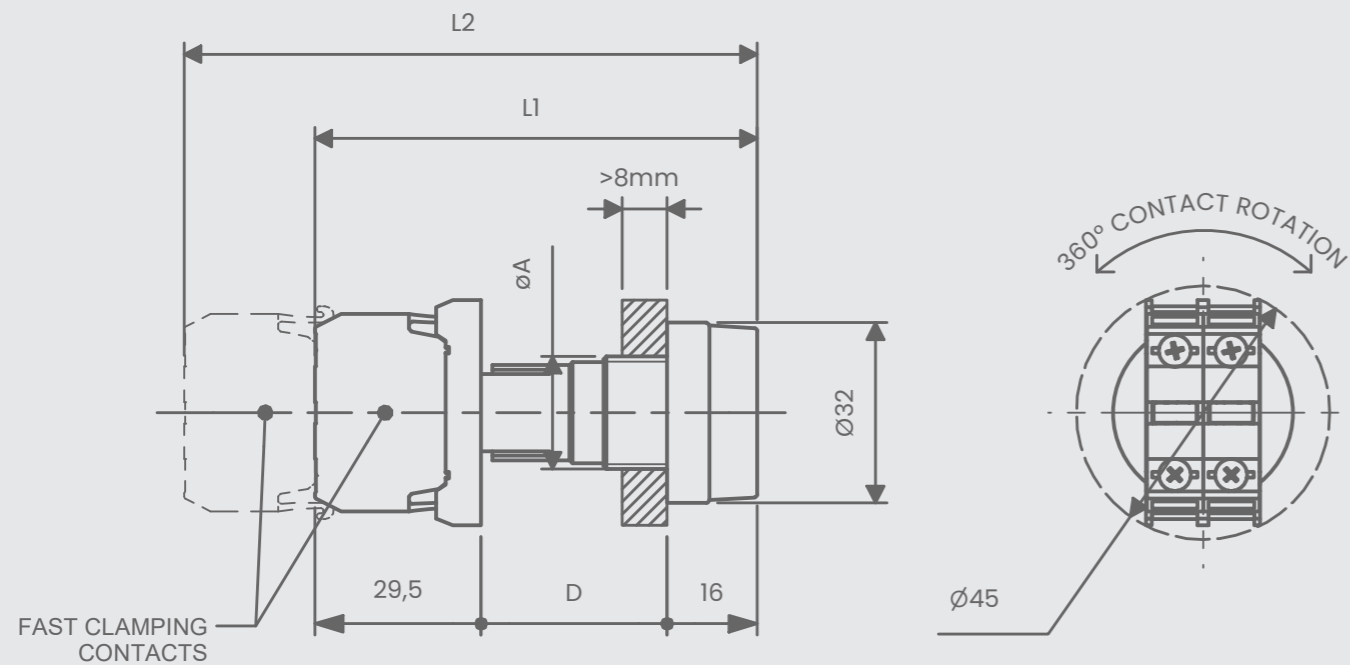


**Series EPG**

- Push button spring return up to 6 simultaneous electrical contacts
- Body in nickel plated brass and other parts in plastic PA6
- Rated insulation voltage  $U_i$ : 300V
- Rated impulse voltage  $U_{imp}$ : 2.5 kV
- Nominal voltage: 230V
- AC1 max current value: 10A
- AC15 max current value: 4A

Operating temperature	ATEX Certificate	IECEX Certificate
- 40°C ÷ + 180°C	INERIS 14 ATEX 9016U	IECEX INE 14.0055U

ATEX & IECEX Equipment Data		
<b>Gas</b>	Group I Zone 1	Ex II 2G Ex db IIC or IIB+H2 Gb
<b>Dust</b>	Group II Zone 21	Ex II 2D Ex tb IIIC Db IP66
<b>Mine</b>	Group I	Ex I M2 Ex db I Mb



Code	Ø A Threading	D	L1	L2	Weight (g)
<b>RX20EPG</b>	M20x1.5 - 6g	27	72,5	96	54
<b>RS20EPG</b>	M20x1.5 - 6g	33	78,5	102	71

RS SERIES	RX SERIES
Suitable for Ex d electrical enclosure IIB+H2 Internal Volume < 160,6 dm <sup>3</sup> IIC Internal Volume < 62,9 dm <sup>3</sup>	Suitable for Ex d electrical enclosure IIB+H2 Internal Volume < 2 dm <sup>3</sup> IIC Internal Volume < 2 dm <sup>3</sup>

ORDER CODING			
Code	Button color	Normally open contact	Normally close contact
RX20EPG	BK ●	0 - 0 NO	0 - 0 NC
	BU ●	1 - 1 NO	1 - 1 NC
	YE ●	2 - 2 NO	2 - 2 NC
	RD ●	3 - 3 NO	3 - 3 NC
RS20EPG	GN ●	4 - 4 NO	4 - 4 NC
	WH ○		

Example: RX20EPGWH11

- Body and ring in stainless steel AISI 316L
- Operating temperature: -60°C ÷ +180°C

DISTRIBUITO DA- DISTRIBUTED BY



**GCE SRL**



INOX VERSION



MILANO - ITALY

[www.antideflagrante.com](http://www.antideflagrante.com)

ORDER CODING			
Codice	Button color	Normally open contact	Normally close contact
RXI20EPG	BK ●	0 - 0 NO	0 - 0 NC
	BU ●	1 - 1 NO	1 - 1 NC
	YE ●	2 - 2 NO	2 - 2 NC
	RD ●	3 - 3 NO	3 - 3 NC
RSI20EPG	GN ●	4 - 4 NO	4 - 4 NC
	WH ○		

Example: RSI20EPGWH11



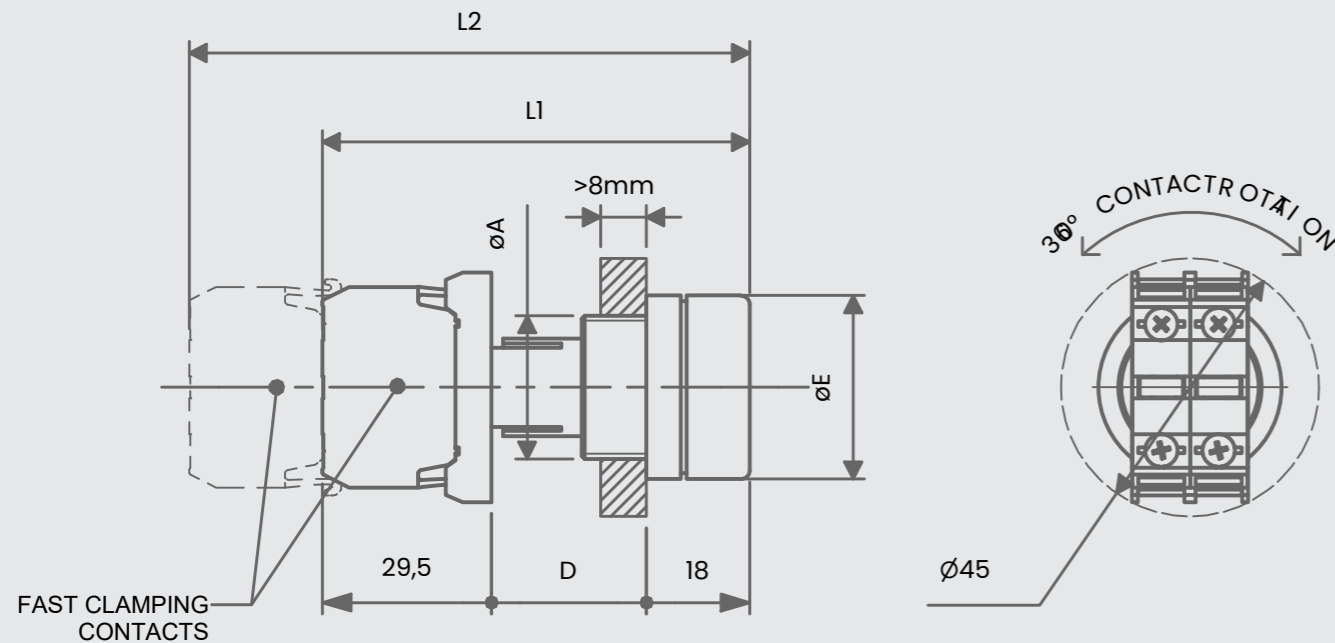


**Series EPX**

- Push button spring return up to 4 simultaneous electrical contacts
- Membrane in luorosilicone
- Body and ring in nickel plated brass and other parts in plastic PA6
- Rated insulation voltage  $U_i$ : 300V
- Rated impulse voltage  $U_{imp}$ : 2.5 kV
- Nominal voltage: 230V
- AC1 max current value: 10A
- AC15 max current value: 4A

Operating temperature	ATEX Certificate	IECEX Certificate
- 50°C ÷ + 180°C	INERIS 14 ATEX 9016U	IECEX INE 14.0055U

ATEX & IECEX Equipment Data		
Gas	Group I Zone 1	Ex II 2G Ex db IIC or IIB+H2 Gb
Dust	Group II Zone 21	Ex II 2D Ex tb IIIC Db IP66
Mine	Group I	Ex I M2 Ex db I Mb



Code	Ø A	D	Ø E	L1	L2	Weight (g)
RXK20EPX	Threading M20x1.5 - 6g	27	27	74,5	98	83
RXK25EPX	M25x1.5 - 6g	27	32	71,5	98	126
RSK20EPX	M20x1.5 - 6g	33	27	80,5	104	96
RSK25EPX	M25x1.5 - 6g	33	32	80,5	104	131

RS SERIES	RX SERIES
Suitable for Ex d electrical enclosure IIB+H2 Internal Volume < 160,6 dm <sup>3</sup> IIC Internal Volume < 62,9 dm <sup>3</sup>	Suitable for Ex d electrical enclosure IIB+H2 Internal Volume < 2 dm <sup>3</sup> IIC Internal Volume < 2 dm <sup>3</sup>

ORDER CODING			
Code	Button color	Normally open contact	Normally close contact
RXK20EPX	BK ●	0 - 0 NO	0 - 0 NC
RXK25EPX	BU ●	1 - 1 NO	1 - 1 NC
RSK20EPX	YE ●	2 - 2 NO	2 - 2 NC
RSK25EPX	RD ●	3 - 3 NO	3 - 3 NC
	GN ●	4 - 4 NO	4 - 4 NC
	WH ○		
	GY ●		

Example: RXK20EPBK11

- Body and ring in stainless steel AISI 316L
- Operating temperature: -60°C ÷ +180°C

DISTRIBUITO DA- DISTRIBUTED BY



**GCE SRL**



INOX VERSION



MILANO - ITALY  
[www.antideflagranti.com](http://www.antideflagranti.com)

ORDER CODING			
Codice	Button color	Normally open contact	Normally close contact
RXI20EPX	BK ●	0 - 0 NO	0 - 0 NC
RXI25EPX	BU ●	1 - 1 NO	1 - 1 NC
RSI20EPX	YE ●	2 - 2 NO	2 - 2 NC
RSI25EPX	RD ●	3 - 3 NO	3 - 3 NC
	GN ●	4 - 4 NO	4 - 4 NC
	WH ○		
	GY ●		

Example: RXI25EPXBK11

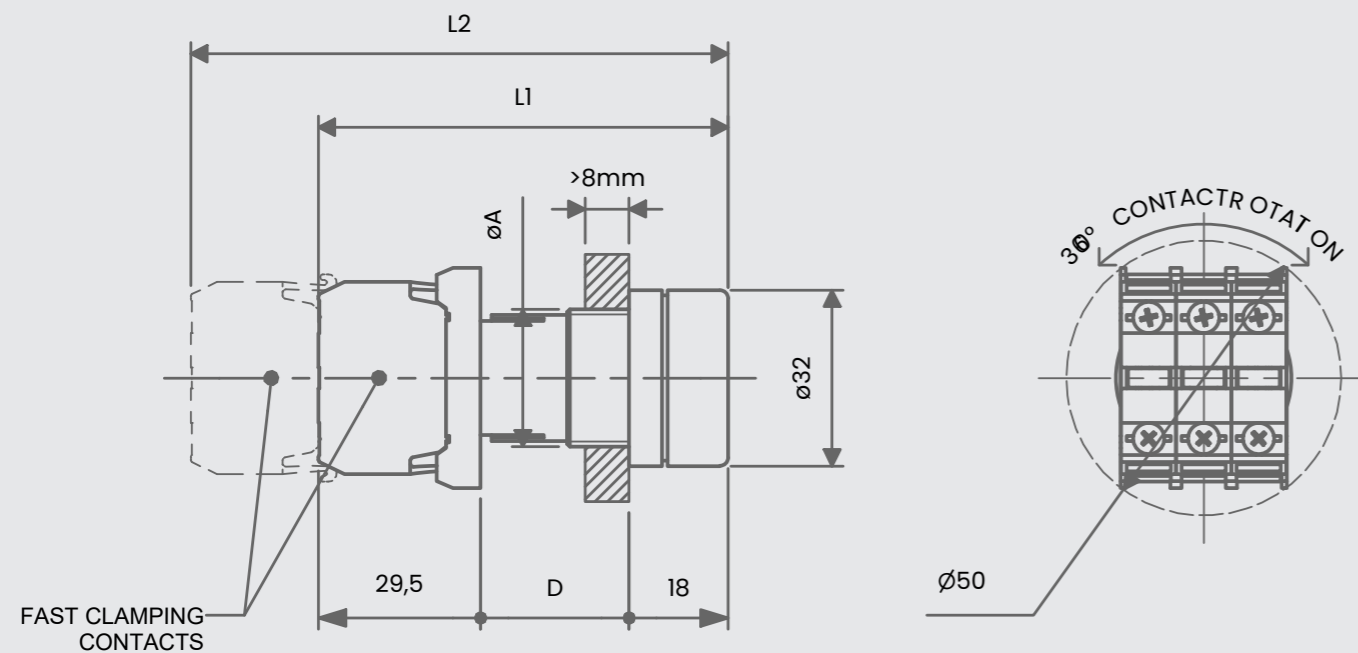


**Series EPX3** UP TO 6 CONTACTS

- Push button spring return up to 4 simultaneous electrical contacts
- Membrane in luorosilicone
- Body and ring in nickel plated brass and other parts in plastic PA6
- Rated insulation voltage  $U_i$ : 300V
- Rated impulse voltage  $U_{imp}$ : 2.5 kV
- Nominal voltage: 230V
- AC1 max current value: 10A
- AC15 max current value: 4A

Operating temperature	ATEX Certificate	IECEX Certificate
- 50°C ÷ + 180°C	INERIS 14 ATEX 9016U	IECEX INE 14.0055U

ATEX & IECEX Equipment Data		
Gas	Group I Zone 1	Ex II 2G Ex db IIC or IIB+H2 Gb
Dust	Group II Zone 21	Ex II 2D Ex tb IIIC Db IP66
Mine	Group I	Ex I M2 Ex db I Mb



Code	Ø A	D	L1	L2	Weight (g)
RXK25EPX3	Threading M25x1.5 - 6g	27	74,5	98	126
RSK25EPX3	M25x1.5 - 6g	33	80,5	104	131

RS SERIES	RX SERIES
Suitable for Ex d electrical enclosure IIB+H2 Internal Volume < 160,6 dm³ IIC Internal Volume < 62,9 dm³	Suitable for Ex d electrical enclosure IIB+H2 Internal Volume < 2 dm³ IIC Internal Volume < 2 dm³

ORDER CODING			
Code	Button color	Normally open contact	Normally close contact
RXK25EP3	BK ●	0 - 0 NO	0 - 0 NC
	BU ●	1 - 1 NO	1 - 1 NC
	YE ●	2 - 2 NO	2 - 2 NC
	RD ●	3 - 3 NO	3 - 3 NC
RSK25EP3	GN ●	4 - 4 NO	4 - 4 NC
	WH ○	5 - 5 NO	5 - 5 NC
	GY ●	6 - 6 NO	6 - 6 NC

Example: RXK25EP3BU11

- Body and ring in stainless steel AISI 316L
- Operating temperature: -60°C ÷ +180°C

DISTRIBUITO DA- DISTRIBUTED BY



MILANO - ITALY

[www.antideflagrante.com](http://www.antideflagrante.com)

INOX VERSION



ORDER CODING			
Code	Button color	Normally open contact	Normally close contact
RXI25EPX3	BK ●	0 - 0 NO	0 - 0 NC
	BU ●	1 - 1 NO	1 - 1 NC
	YE ●	2 - 2 NO	2 - 2 NC
	RD ●	3 - 3 NO	3 - 3 NC
RSI25EPX3	GN ●	4 - 4 NO	4 - 4 NC
	WH ○	5 - 5 NO	5 - 5 NC
	GY ●	6 - 6 NO	6 - 6 NC

Example: RSI25EPXBK11

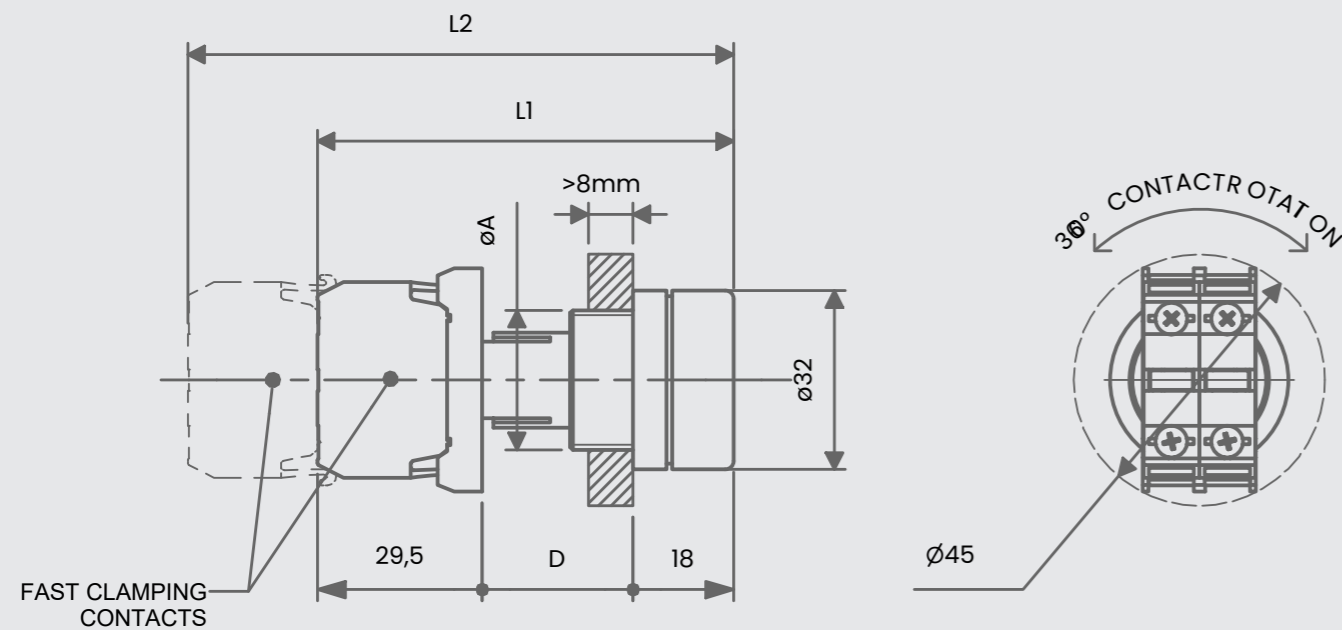


**Series EPXG**

- Push button spring return up to 4 simultaneous electrical contacts
- Membrane in luorosilicone
- Body in nickel plated brass and other parts in plastic PA6
- Rated insulation voltage  $U_i$ : 300V
- Rated impulse voltage  $U_{imp}$ : 2.5 kV
- Nominal voltage: 230V
- AC1 max current value: 10A
- AC15 max current value: 4A

Operating temperature	ATEX Certificate	IECEX Certificate
- 50°C ÷ + 180°C	INERIS 14 ATEX 9016U	IECEX INE 14.0055U

ATEX & IECEX Equipment Data		
Gas	Group I Zone 1	Ex II 2G Ex db IIC or IIB+H2 Gb
Dust	Group II Zone 2I	Ex II 2D Ex tb IIIC Db IP66
Mine	Group I	Ex I M2 Ex db I Mb



Code	Ø A	D	L1	L2	Weight (g)
RXK20EPXG	Threading M20x1.5 - 6g	27	74,5	98	111
RSK20EPXG	M20x1.5 - 6g	33	80,5	104	124

RS SERIES	RX SERIES
Suitable for Ex d electrical enclosure IIB+H2 Internal Volume < 160,6 dm <sup>3</sup> IIC Internal Volume < 62,9 dm <sup>3</sup>	Suitable for Ex d electrical enclosure IIB+H2 Internal Volume < 2 dm <sup>3</sup> IIC Internal Volume < 2 dm <sup>3</sup>

ORDER CODING			
Code	Button color	Normally open contact	Normally close contact
RXK20EPXG	BK ● BU ● YE ● RD ● GN ● WH ○ GY ●	0 - 0 NO 1 - 1 NO 2 - 2 NO	0 - 0 NC 1 - 1 NC 2 - 2 NC
RSK20EPXG		3 - 3 NO 4 - 4 NO	3 - 3 NC 4 - 4 NC

Example: RXK25EP3BU11

- Body and ring in stainless steel AISI 316L
- Operating temperature: -60°C ÷ +180°C

DISTRIBUITO DA- DISTRIBUTED BY



**GCE SRL**



MILANO - ITALY

[www.antideflagrante.com](http://www.antideflagrante.com)

INOX VERSION



ORDER CODING			
Codice	Button color	Normally open contact	Normally close contact
RXI20EPXG	GY ● BK ● BU ● YE ● RD ● GN ● WH ○	0 - 0 NO 1 - 1 NO 2 - 2 NO	0 - 0 NC 1 - 1 NC 2 - 2 NC
RSI25EPXG		3 - 3 NO 4 - 4 NO	3 - 3 NC 4 - 4 NC

Example: RSI25EPXBK11

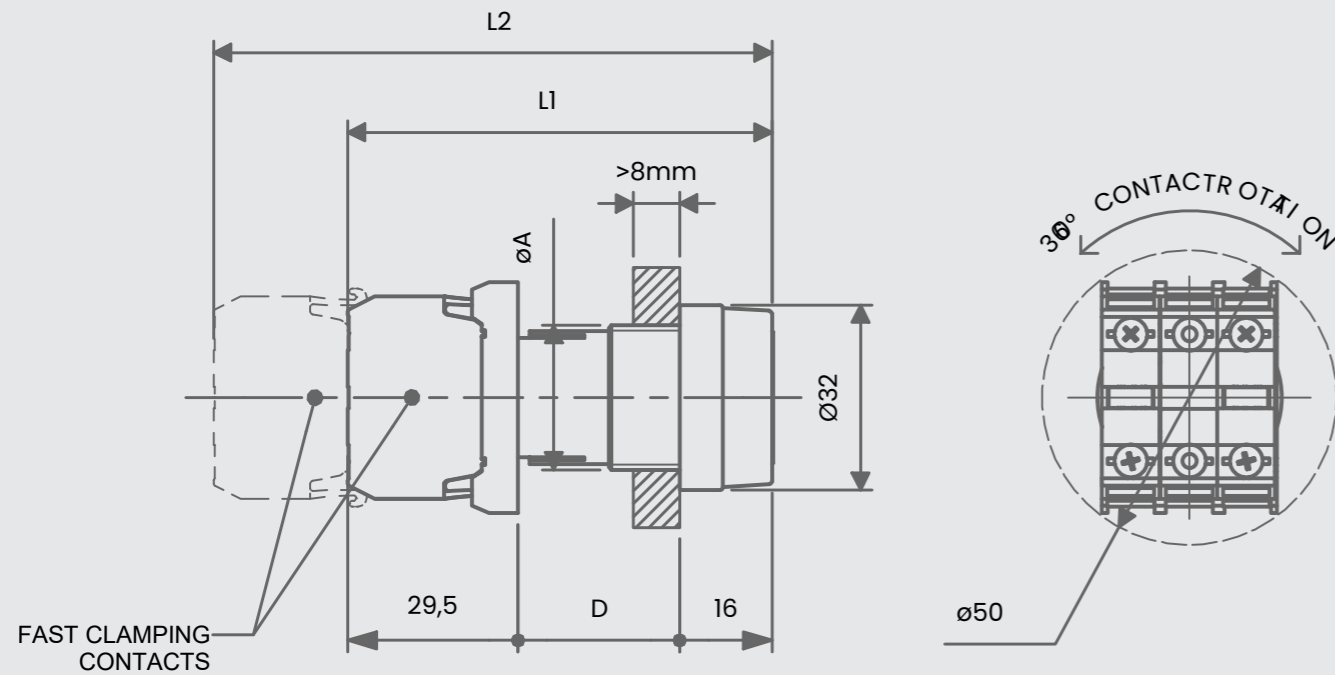


**Series EPL**

- Lighting push button spring return up to 4 simultaneous electrical contacts
- Body in nickel plated brass and other parts in plastic PA6
- Rated insulation voltage  $U_i$ : 300V
- Rated impulse voltage  $U_{imp}$ : 2.5 kV
- Nominal voltage: 230V
- AC1 max current value: 10A
- AC15 max current value: 4A

Operating temperature	ATEX Certificate	IECEx Certificate
- 50°C ÷ + 180°C	INERIS 14 ATEX 9016U	IECEx INE 14.0055U

ATEX & IECEx Equipment Data		
Gas	Group I Zone 1	Ex II 2G Ex db IIC or IIB+H2 Gb
Dust	Group II Zone 21	Ex II 2D Ex tb IIIC Db IP66
Mine	Group I	Ex I M2 Ex db I Mb



Code	Ø A	D	L1	L2	Weight (g)
RX25EPL	Threading M25x1.5 - 6g	28	73,5	97	82
RS25EPL	M25x1.5 - 6g	34	79,5	103	96

RS SERIES	RX SERIES
Suitable for Ex d electrical enclosure IIB+H2 Internal Volume < 160,6 dm³ IIC Internal Volume < 62,9 dm³	Suitable for Ex d electrical enclosure IIB+H2 Internal Volume < 2 dm³ IIC Internal Volume < 2 dm³

ORDER CODING				
Code	Button color	Normally open contact	Normally close contact	Led
RX20EPL	BK ●	0 - 0 NO	0 - 0 NC	A - 12/30V
RX25EPL	BU ●	1 - 1 NO	1 - 1 NC	ACDC
RS20EPL	YE ●	2 - 2 NO	2 - 2 NC	+ B - 100/230V AC
	RD ●	3 - 3 NO	3 - 3 NC	
RS25EPL	GN ●	4 - 4 NO	4 - 4 NC	

Example: RX25EPLRD11A

- Body and ring in stainless steel AISI 316L
- Operating temperature: -60°C ÷ +180°C



DISTRIBUITO DA- DISTRIBUTED BY

**GCE SRL**

MILANO - ITALY

www.antideflagrante.com



INOX VERSION



ORDER CODING				
Code	Button color	Normally open contact	Normally close contact	Led
RXI20EPL	BK ●	0 - 0 NO	0 - 0 NC	A - 12/30V
RXI25EPL	BU ●	1 - 1 NO	1 - 1 NC	ACDC
RSI20EPL	YE ●	2 - 2 NO	2 - 2 NC	+ B - 100/230V AC
	RD ●	3 - 3 NO	3 - 3 NC	
RSI25EPL	GN ●	4 - 4 NO	4 - 4 NC	

Example: RSI25EPLYE11A

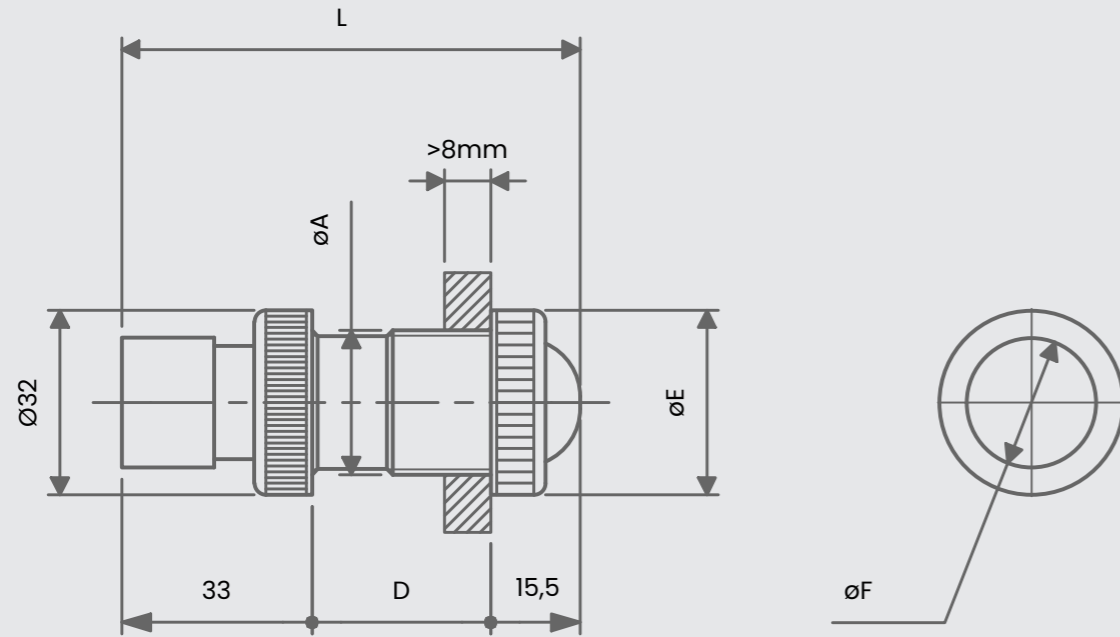


**Series L**

- Pilot light for control panel
- Body in nickel plated brass and other parts in plastic PA6
- LED lamp socket BA9S for M20 thread version or BA15S for M25 thread version
- LED voltage 12÷30Vac/dc or 110Vac or 220Vac
- Max power consumption: 1W

Operating temperature	ATEX Certificate	IECEX Certificate
- 50°C ÷ + 180°C	INERIS 14 ATEX 9016U	IECEX INE 14.0055U

ATEX & IECEX Equipment Data		
Gas	Group I Zone 1	Ex II 2G Ex db IIC or IIB+H2 Gb
Dust	Group II Zone 21	Ex II 2D Ex tb IIIC Db IP66
Mine	Group I	Ex I M2 Ex db I Mb



Code	$\phi A$	D	$\phi E$	$\phi F$	L	Weight (g)
<b>RX20L</b>	Threading M20x1.5 - 6g	31	26	17	79,5	52
<b>RX25L</b>	M25x1.5 - 6g	31	32	22,5	79,5	81
<b>RS20L</b>	M20x1.5 - 6g	40	26	17	83,5	58
<b>RS25L</b>	M25x1.5 - 6g	40	32	22,5	83,5	90

RS SERIES	RX SERIES
Suitable for Ex d electrical enclosure IIB+H2 Internal Volume < 160,6 dm <sup>3</sup> IIC Internal Volume < 62,9 dm <sup>3</sup>	Suitable for Ex d electrical enclosure IIB+H2 Internal Volume < 2 dm <sup>3</sup> IIC Internal Volume < 2 dm <sup>3</sup>

ORDER CODING		
Code	Gem color	LED
RX20L	BK ●	3 - 24V AC/DC
RX25L	BU ●	5 - 110V AC 7
	YE ●	-230V AC
RS20L	RD ●	
	GN ●	
RS25L	WH ○	

Example: RX25LGN7

- Body in stainless steel AISI 316L with tempered glass and lens
- Operating temperature: -60°C ÷ +180°C

DISTRIBUITO DA- DISTRIBUTED BY



**GCE SRL**



INOX VERSION



MILANO - ITALY

[www.antideflagranti.com](http://www.antideflagranti.com)

ORDER CODING		
Code	Gem color	LED
RXI20L	BK ●	3 - 24V AC/DC
RXI25L	BU ●	5 - 110V AC 7
	YE ●	-230V AC
RSI20L	RD ●	
	GN ●	
RSI25L	WH ○	

Example: RSI25EPLYE11A

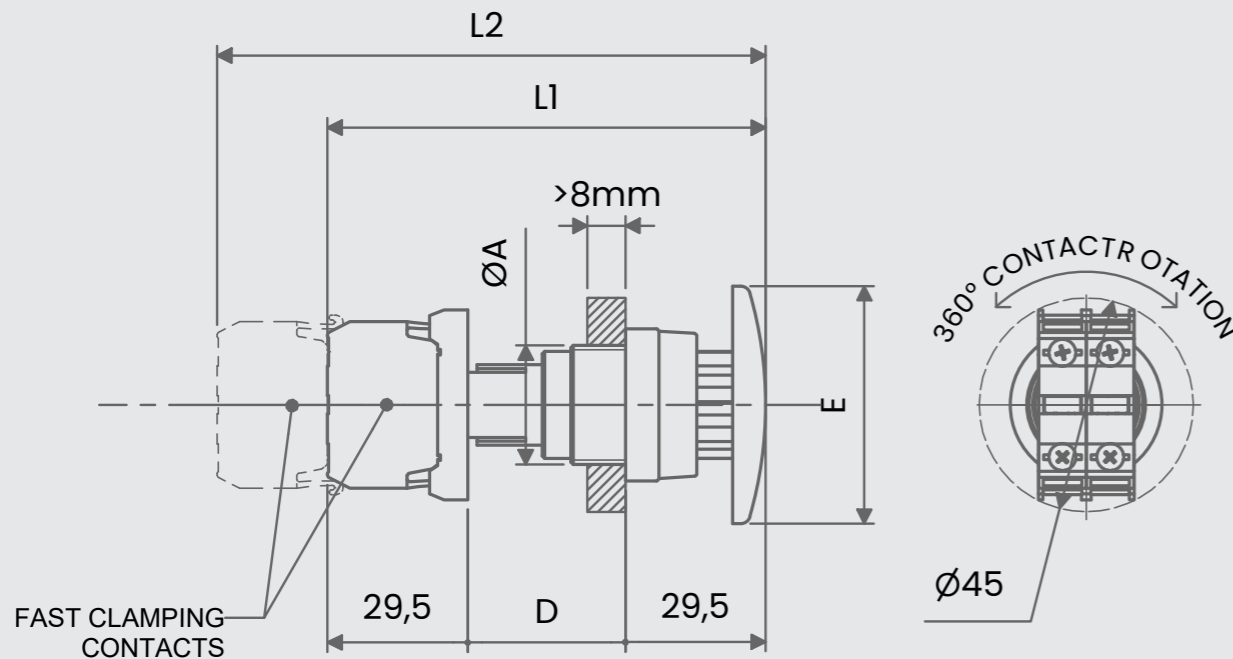


**Series EF**

- Emergency push button spring return mushroom type up to 4 simultaneous electrical contacts
- Body in nickel plated brass and other parts in plastic PA6 or polycarbonate
- Rated insulation voltage  $U_i$ : 300V
- Rated impulse voltage  $U_{imp}$ : 2.5 kV
- Nominal voltage: 230V
- AC1 max current value: 10A
- AC15 max current value: 4A

Operating temperature	ATEX Certificate	IECEX Certificate
- 50°C ÷ + 180°C	INERIS 14 ATEX 9016U	IECEX INE 14.0055U

ATEX & IECEX Equipment Data		
Gas	Group I Zone 1	Ex II 2G Ex db IIC or IIB+H2 Gb
Dust	Group II Zone 21	Ex II 2D Ex tb IIIC Db IP66
Mine	Group I	Ex I M2 Ex db I Mb



Code	Ø A	D	Ø E	L1	L2	Weight (g)
RX20EF	Threading M20x1.5 - 6g	27	35	86	109	97
RX25EF	M25x1.5 - 6g	27	50	86	109	112
RS20EF	M20x1.5 - 6g	33	35	92	115	110
RS25EF	M25x1.5 - 6g	33	50	92	115	133

RS SERIES	RX SERIES
Suitable for Ex d electrical enclosure IIB+H2 Internal Volume < 160,6 dm <sup>3</sup> IIC Internal Volume < 62,9 dm <sup>3</sup>	Suitable for Ex d electrical enclosure IIB+H2 Internal Volume < 2 dm <sup>3</sup> IIC Internal Volume < 2 dm <sup>3</sup>

ORDER CODING			
Code	Button color	Normally open contact	Normally close contact
RX20EF	BK ●	0 - 0 NO	0 - 0 NC
RX25EF	RD ●	1 - 1 NO	1 - 1 NC
RS20EF		2 - 2 NO	2 - 2 NC
RS25EF		3 - 3 NO	3 - 3 NC
		4 - 4 NO	4 - 4 NC

Example: RS25EFRD11

- Body in stainless steel AISI 316L
- Ring in stainless steel AISI 316L yellow painted
- Operating temperature: -60°C ÷ +180°C

DISTRIBUITO DA- DISTRIBUTED BY

**GCE SRL**

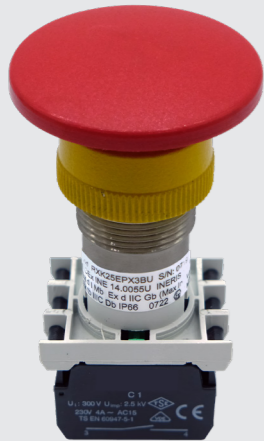
MILANO - ITALY  
www.antideflagranti.com

INOX VERSION



ORDER CODING			
Codice	Button color	Normally open contact	Normally close contact
RX120EF	BK ●	0 - 0 NO	0 - 0 NC
RX125EF	RD ●	1 - 1 NO	1 - 1 NC
RS120EF		2 - 2 NO	2 - 2 NC
RS125EF		3 - 3 NO	3 - 3 NC
		4 - 4 NO	4 - 4 NC

Example: RS125EFRD11



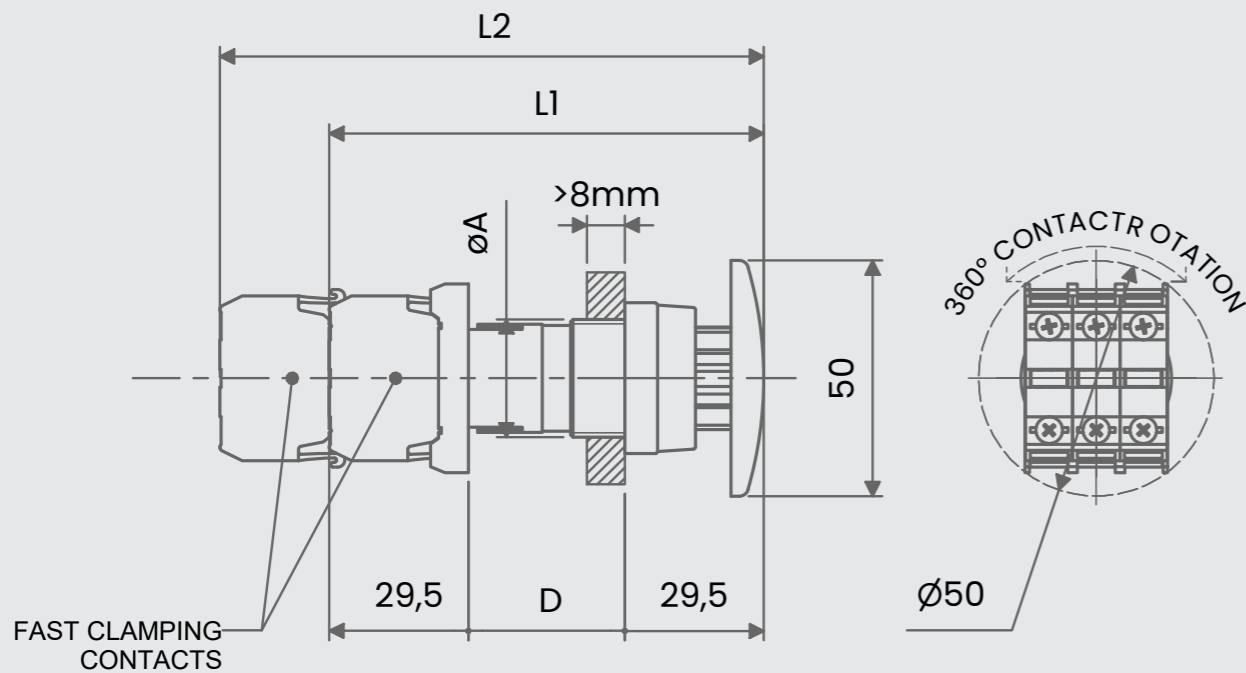
**Series EF3**

UP TO 6 CONTACTS

- Emergency push button spring return mushroom type up to 6 simultaneous electrical contacts
- Body in nickel plated brass and other parts in plastic PA6 or polycarbonate
- Rated insulation voltage  $U_i$ : 300V
- Rated impulse voltage  $U_{imp}$ : 2.5 kV
- Nominal voltage: 230V
- AC1 max current value: 10A
- AC15 max current value: 4A

Operating temperature	ATEX Certificate	IECEX Certificate
- 50°C ÷ + 180°C	INERIS 14 ATEX 9016U	IECEX INE 14.0055U

ATEX & IECEX Equipment Data		
Gas	Group I Zone 1	Ex II 2G Ex db IIC or IIB+H2 Gb
Dust	Group II Zone 21	Ex II 2D Ex tb IIIC Db IP66
Mine	Group I	Ex I M2 Ex db I Mb



Code	Ø A	D	L1	L2	Weight (g)
RX25EF3	Threading M25x1.5 - 6g	27	86	109	125
RS25EF3	M25x1.5 - 6g	33	92	115	148

RS SERIES	RX SERIES
Suitable for Ex d electrical enclosure IIB+H2 Internal Volume < 160,6 dm³ IIC Internal Volume < 62,9 dm³	Suitable for Ex d electrical enclosure IIB+H2 Internal Volume < 2 dm³ IIC Internal Volume < 2 dm³

ORDER CODING			
Code	Button color	Normally open contact	Normally close contact
RX25EF3	BK ●	0 - 0 NO	0 - 0 NC
	RD ●	1 - 1 NO	1 - 1 NC
		2 - 2 NO	2 - 2 NC
RS25EF3		3 - 3 NO	3 - 3 NC
		4 - 4 NO	4 - 4 NC
		5 - 5 NO	5 - 5 NC
		6 - 6 NO	6 - 6 NC

Example: RS25EF3RD11

- Body in stainless steel AISI 316L
- Ring in stainless steel AISI 316L yellow painted
- Operating temperature: -60°C ÷ +180°C

DISTRIBUITO DA- DISTRIBUTED BY



**GCE SRL**



MILANO - ITALY

[www.antideflagranti.com](http://www.antideflagranti.com)

INOX VERSION



ORDER CODING			
Code	Button color	Normally open contact	Normally close contact
RXI25EF3	BK ●	0 - 0 NO	0 - 0 NC
	RD ●	1 - 1 NO	1 - 1 NC
		2 - 2 NO	2 - 2 NC
RSI25EF3		3 - 3 NO	3 - 3 NC
		4 - 4 NO	4 - 4 NC
		5 - 5 NO	5 - 5 NC
		6 - 6 NO	6 - 6 NC

Example: RSI25EF3RD11

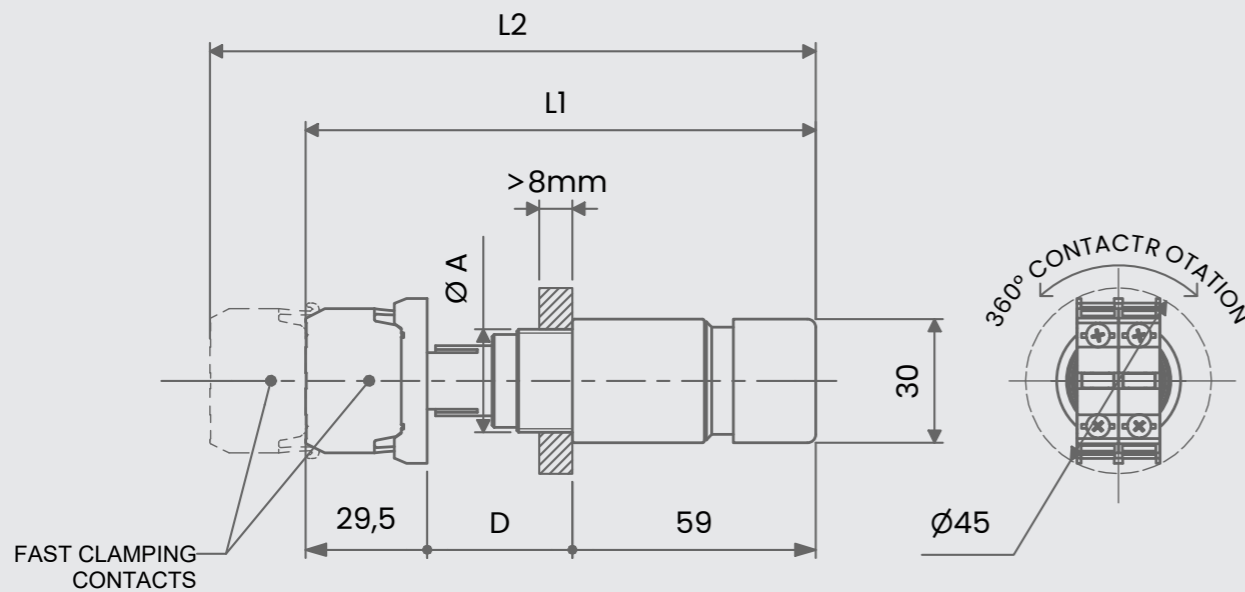


**Series EFP**

- Emergency push button mushroom type with pull release up to 4 simultaneous electrical contacts
- Body in nickel plated brass, ring in aluminium yellow painted and other parts in plastic PA6
- Rated insulation voltage  $U_i$ : 300V
- Rated impulse voltage  $U_{imp}$ : 2.5 kV
- Nominal voltage: 230V
- AC1 max current value: 10A
- AC15 max current value: 4A

Operating temperature	ATEX Certificate	IECEx Certificate
- 50°C ÷ + 180°C	INERIS 14 ATEX 9016U	IECEx INE 14.0055U

ATEX & IECEx Equipment Data		
Gas	Group I Zone 1	Ex II 2G Ex db IIC or IIB+H2 Gb
Dust	Group II Zone 21	Ex II 2D Ex tb IIIC Db IP66
Mine	Group I	Ex I M2 Ex db I Mb



Code	Ø A	D	L1	L2	Weight (g)
RX20EFPRD	Threading M20x1.5 - 6g	34	136.5	141	101
RX25EFPRD	M25x1.5 - 6g	34	136.5	141	116
RS20EFPRD	M20x1.5 - 6g	40	142.5	159.5	125
RS25EFPRD	M25x1.5 - 6g	40	142.5	159.5	148

RS SERIES	RX SERIES
Suitable for Ex d electrical enclosure IIB+H2 Internal Volume < 160,6 dm³ IIC Internal Volume < 62,9 dm³	Suitable for Ex d electrical enclosure IIB+H2 Internal Volume < 2 dm³ IIC Internal Volume < 2 dm³

ORDER CODING		
Code	Normally open contact	Normally close contact
RX20EFPRD	0 - 0 NO	0 - 0 NC
RX25EFPRD	1 - 1 NO	1 - 1 NC
RS20EFPRD	2 - 2 NO	2 - 2 NC
RS25EFPRD	3 - 3 NO	3 - 3 NC
	4 - 4 NO	4 - 4 NC

Example: RS25EFPRD11

- Body in stainless steel AISI 316L
- Ring in stainless steel AISI 316L yellow painted
- Operating temperature: -60°C ÷ +180°C

DISTRIBUITO DA- DISTRIBUTED BY



**GCE SRL**



MILANO - ITALY

[www.antideflagrante.com](http://www.antideflagrante.com)

INOX VERSION



ORDER CODING		
Codice	Normally open contact	Normally close contact
RXI20EFPRD	0 - 0 NO	0 - 0 NC
RXI25EFPRD	1 - 1 NO	1 - 1 NC
RSI20EFPRD	2 - 2 NO	2 - 2 NC
RSI25EFPRD	3 - 3 NO	3 - 3 NC
	4 - 4 NO	4 - 4 NC

Example: RSI25EFPRD11



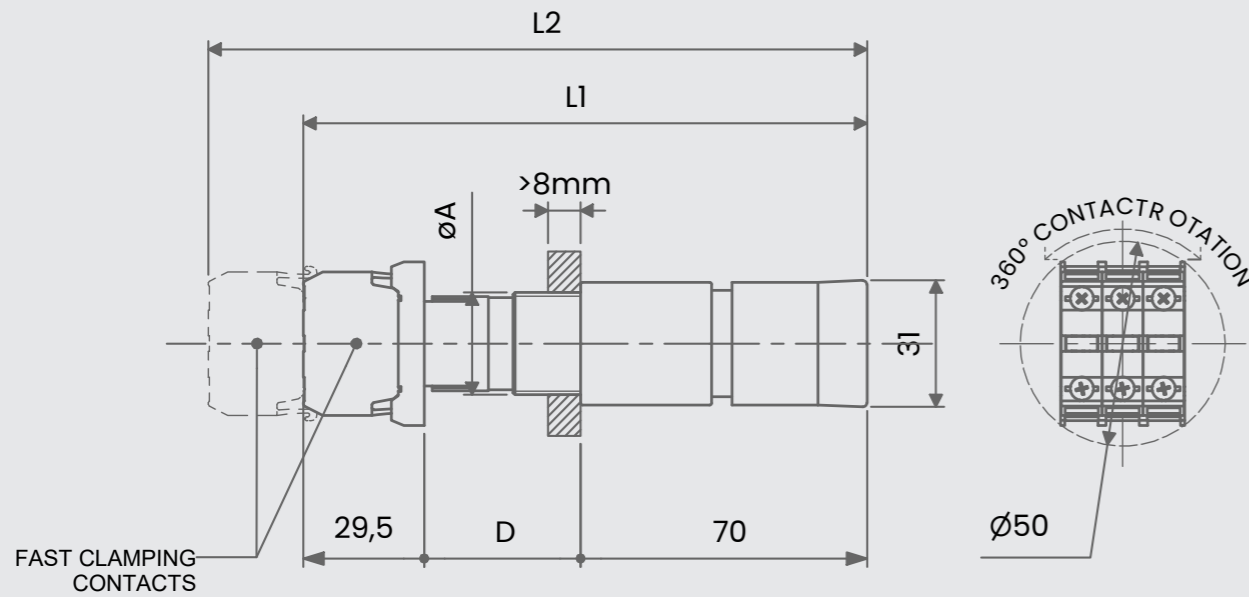


**Series EFP3** UP TO 6 CONTACTS

- Emergency push button mushroom type with pull release up to 6 simultaneous electrical contacts
- Body in nickel plated brass, ring in aluminium yellow painted and other parts in plastic PA6
- Rated insulation voltage  $U_i$ : 300V
- Rated impulse voltage  $U_{imp}$ : 2.5 kV
- Nominal voltage: 230V
- AC1 max current value: 10A
- AC15 max current value: 4A

Operating temperature	ATEX Certificate	IECEX Certificate
- 50°C ÷ + 180°C	INERIS 14 ATEX 9016U	IECEX INE 14.0055U

ATEX & IECEX Equipment Data		
Gas	Group I Zone 1	Ex II 2G Ex db IIC or IIB+H2 Gb
Dust	Group II Zone 21	Ex II 2D Ex tb IIIC Db IP66
Mine	Group I	Ex I M2 Ex db I Mb



Code	Ø A	D	L1	L2	Weight (g)
RX25EFP3RD	Threading M25x1.5 - 6g	34	136.5	141	135
RS25EFP3RD	M25x1.5 - 6g	40	142.5	159.5	154

RS SERIES	RX SERIES
Suitable for Ex d electrical enclosure IIB+H2 Internal Volume < 160,6 dm³ IIC Internal Volume < 62,9 dm³	Suitable for Ex d electrical enclosure IIB+H2 Internal Volume < 2 dm³ IIC Internal Volume < 2 dm³

ORDER CODING		
Code	Normally open contact	Normally close contact
RX25EFP3RD	0 - 0 NO 1 - 1 NO 2 - 2 NO 3 - 3 NO	0 - 0 NC 1 - 1 NC 2 - 2 NC 3 - 3 NC
RS25EFP3RD	4 - 4 NO 5 - 5 NO 6 - 6 NO	4 - 4 NC 5 - 5 NC 6 - 6 NC

Example: RS25EFP3RD11

- Body in stainless steel AISI 316L
- Ring in stainless steel AISI 316L yellow painted
- Operating temperature: -60°C ÷ +180°C

DISTRIBUITO DA- DISTRIBUTED BY



**GCE SRL**



MILANO - ITALY

[www.antideflagrante.com](http://www.antideflagrante.com)

INOX VERSION



ORDER CODING		
Code	Normally open contact	Normally close contact
RXI25EFP3RD	0 - 0 NO 1 - 1 NO 2 - 2 NO 3 - 3 NO	0 - 0 NC 1 - 1 NC 2 - 2 NC 3 - 3 NC
RSI25EFP3RD	4 - 4 NO 5 - 5 NO 6 - 6 NO	4 - 4 NC 5 - 5 NC 6 - 6 NC

Example: RSI25EFP3RD11

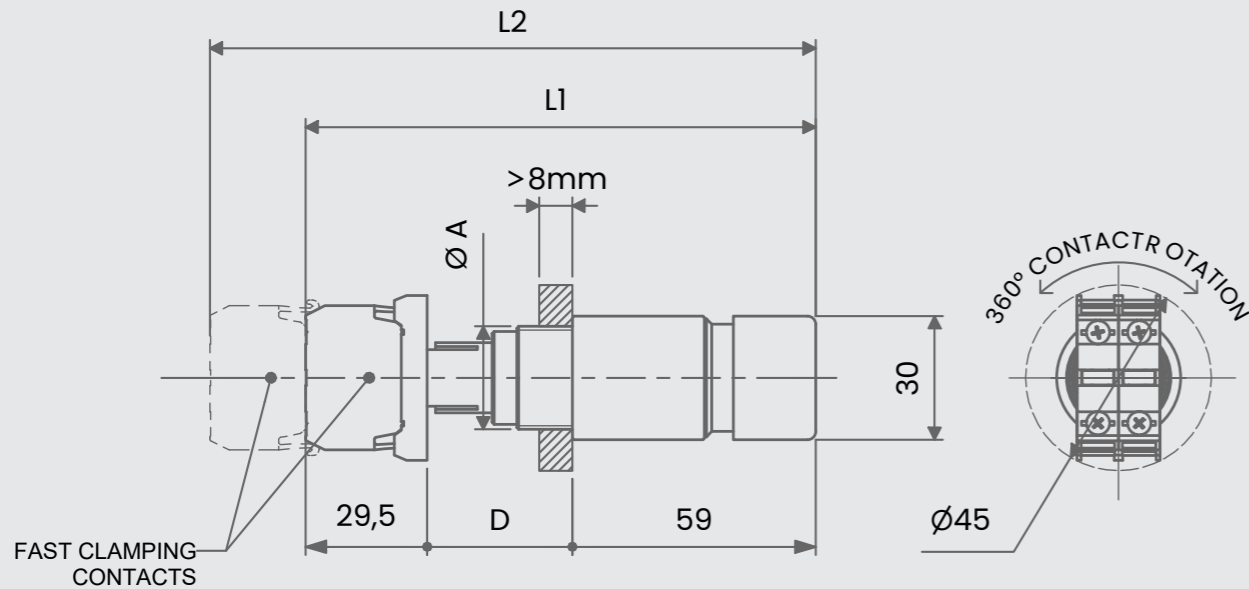


**Series EFR**

- Emergency push button mushroom type with rotary release up to 4 simultaneous electrical contacts
- Body in nickel plated brass, ring in aluminium yellow painted and other parts in plastic PA6
- Rated insulation voltage  $U_i$ : 300V
- Rated impulse voltage  $U_{imp}$ : 2.5 kV
- Nominal voltage: 230V
- AC1 max current value: 10A
- AC15 max current value: 4A

Operating temperature	ATEX Certificate	IECEx Certificate
- 50°C ÷ + 180°C	INERIS 14 ATEX 9016U	IECEx INE 14.0055U

ATEX & IECEx Equipment Data		
Gas	Group I Zone 1	Ex II 2G Ex db IIC or IIB+H2 Gb
Dust	Group II Zone 21	Ex II 2D Ex tb IIIC Db IP66
Mine	Group I	Ex I M2 Ex db I Mb



Code	Ø A	D	L1	L2	Weight (g)
RX20EFRRD	Threading M20x1.5 - 6g	29	117.5	141	124
RX25EFRRD	M25x1.5 - 6g	29	117.5	141	139
RS20EFRRD	M20x1.5 - 6g	35	123.5	147	136
RS25EFRRD	M25x1.5 - 6g	35	123.5	147	159

RS SERIES	RX SERIES
Suitable for Ex d electrical enclosure IIB+H2 Internal Volume < 160,6 dm <sup>3</sup> IIC Internal Volume < 62,9 dm <sup>3</sup>	Suitable for Ex d electrical enclosure IIB+H2 Internal Volume < 2 dm <sup>3</sup> IIC Internal Volume < 2 dm <sup>3</sup>

ORDER CODING		
Code	Normally open contact	Normally close contact
RX20EFRRD	0 - 0 NO	0 - 0 NC
RX25EFRRD	1 - 1 NO	1 - 1 NC
RS20EFRRD	2 - 2 NO	2 - 2 NC
RS25EFRRD	3 - 3 NO	3 - 3 NC
	4 - 4 NO	4 - 4 NC

Example: RS25EFRRD11

- Body in stainless steel AISI 316L
- Ring in stainless steel AISI 316L yellow painted
- Operating temperature: -60°C ÷ +180°C

DISTRIBUITO DA- DISTRIBUTED BY



**GCE SRL**



INOX VERSION



MILANO - ITALY

[www.antideflagrante.com](http://www.antideflagrante.com)

ORDER CODING		
Codice	Normally open contact	Normally close contact
RXI20EFRRD	0 - 0 NO	0 - 0 NC
RXI25EFRRD	1 - 1 NO	1 - 1 NC
RSI20EFRRD	2 - 2 NO	2 - 2 NC
RSI25EFRRD	3 - 3 NO	3 - 3 NC
	4 - 4 NO	4 - 4 NC

Example: RSI25EFRRD11

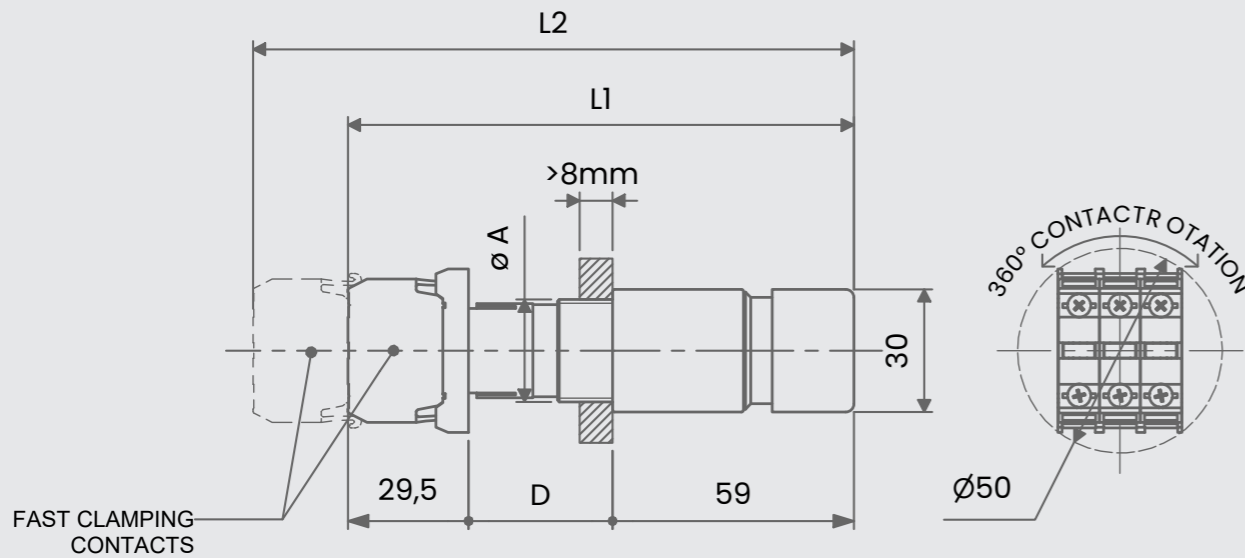


**Series EFR3** UP TO 6 CONTACTS

- Emergency push button mushroom type with rotary release up to 6 simultaneous electrical contacts
- Body in nickel plated brass, ring in aluminium yellow painted and other parts in plastic PA6
- Rated insulation voltage  $U_i$ : 300V
- Rated impulse voltage  $U_{imp}$ : 2.5 kV
- Nominal voltage: 230V
- AC1 max current value: 10A
- AC15 max current value: 4A

Operating temperature	ATEX Certificate	IECEx Certificate
- 50°C ÷ + 180°C	INERIS 14 ATEX 9016U	IECEx INE 14.0055U

ATEX & IECEx Equipment Data		
Gas	Group I Zone 1	Ex II 2G Ex db IIC or IIB+H2 Gb
Dust	Group II Zone 21	Ex II 2D Ex tb IIIC Db IP66
Mine	Group I	Ex I M2 Ex db I Mb



Code	Ø A	D	L1	L2	Weight (g)
RX25EFR3RD	Threading M25x1.5 - 6g	29	117.5	141	156
RS25EFR3RD	M25x1.5 - 6g	35	123.5	147	175

RS SERIES		RX SERIES	
Suitable for Ex d electrical enclosure IIB+H2 Internal Volume < 160,6 dm <sup>3</sup> IIC Internal Volume < 62,9 dm <sup>3</sup>		Suitable for Ex d electrical enclosure IIB+H2 Internal Volume < 2 dm <sup>3</sup> IIC Internal Volume < 2 dm <sup>3</sup>	
ORDER CODING			
Code	Normally open contact		Normally close contact
RX25EFR3RD	0 - 0 NO 1 - 1 NO 2 - 2 NO 3 - 3 NO		0 - 0 NC 1 - 1 NC 2 - 2 NC 3 - 3 NC
RS25EFR3RD	4 - 4 NO 5 - 5 NO 6 - 6 NO	+	4 - 4 NC 5 - 5 NC 6 - 6 NC

Example: RS25EFR3RD11

- Body in stainless steel AISI 316L
- Ring in stainless steel AISI 316L yellow painted
- Operating temperature: -60°C ÷ +180°C

DISTRIBUITO DA- DISTRIBUTED BY



**GCE SRL**



INOX VERSION



MILANO - ITALY

[www.antideflagrante.com](http://www.antideflagrante.com)

ORDER CODING			
Code	Normally open contact		Normally close contact
RXI25EFR3RD	0 - 0 NO 1 - 1 NO 2 - 2 NO 3 - 3 NO		0 - 0 NC 1 - 1 NC 2 - 2 NC 3 - 3 NC
RSI25EFR3RD	4 - 4 NO 5 - 5 NO 6 - 6 NO	+	4 - 4 NC 5 - 5 NC 6 - 6 NC

Example: RSI25EFR3RD11

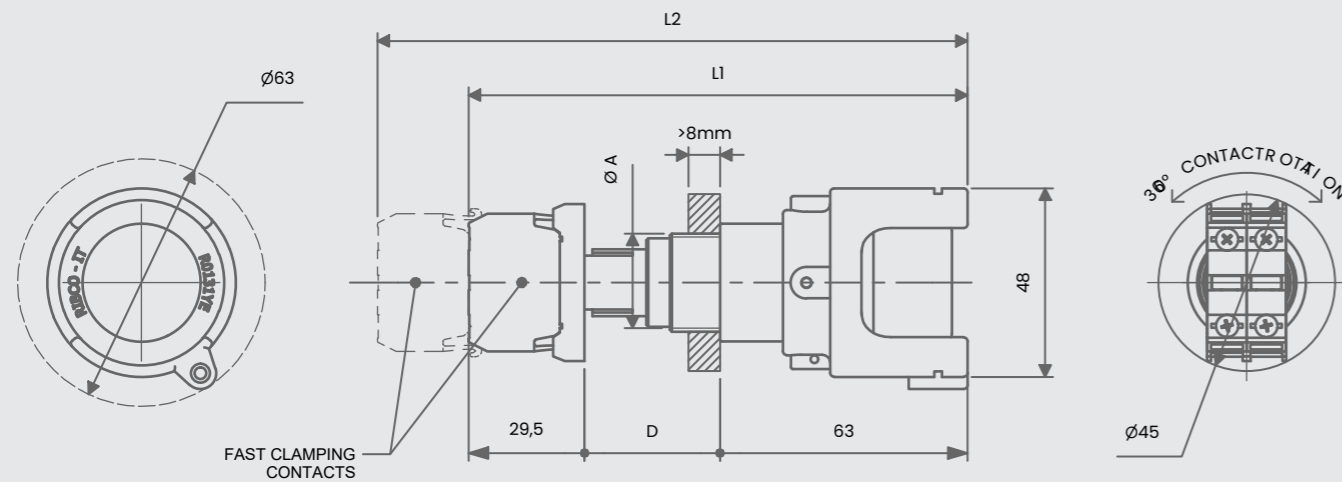


**Series EFRG**

- Emergency push button mushroom type with rotary release, polycarbonate protection guard up to 4 simultaneous electrical contacts
- Body in nickel plated brass, ring in aluminium yellow painted and other parts in plastic PA6
- Rated insulation voltage  $U_i$ : 300V
- Rated impulse voltage  $U_{imp}$ : 2.5 kV
- Nominal voltage: 230V
- AC1 max current value: 10A
- AC15 max current value: 4A

Operating temperature	ATEX Certificate	IECEx Certificate
- 50°C ÷ + 180°C	INERIS 14 ATEX 9016U	IECEx INE 14.0055U

ATEX & IECEx Equipment Data		
Gas	Group I Zone 1	Ex II 2G Ex db IIC or IIB+H2 Gb
Dust	Group II Zone 21	Ex II 2D Ex tb IIIC Db IP66
Mine	Group I	Ex I M2 Ex db I Mb



Code	Ø A	D	L1	L2	Weight (g)
RX20EFRGRD	Threading M20x1.5 - 6g	28.5	121	144	215
RX25EFRGRD	M25x1.5 - 6g	28.5	121	144	230
RS20EFRGRD	M20x1.5 - 6g	34.5	127	150	226
RS25EFRGRD	M25x1.5 - 6g	34.5	127	150	249

RS SERIES	RX SERIES
Suitable for Ex d electrical enclosure IIB+H2 Internal Volume < 160,6 dm <sup>3</sup> IIC Internal Volume < 62,9 dm <sup>3</sup>	Suitable for Ex d electrical enclosure IIB+H2 Internal Volume < 2 dm <sup>3</sup> IIC Internal Volume < 2 dm <sup>3</sup>

ORDER CODING		
Code	Normally open contact	Normally close contact
RX20EFRGRD	0 - 0 NO	0 - 0 NC
RX25EFRGRD	1 - 1 NO	1 - 1 NC
RS20EFRGRD	2 - 2 NO	2 - 2 NC
RS25EFRGRD	3 - 3 NO	3 - 3 NC
	4 - 4 NO	4 - 4 NC

Example: RS25EFRGRD11

- Body in stainless steel AISI 316L
- Ring and protection guard in stainless steel AISI 316L yellow painted
- Operating temperature: -60°C ÷ +180°C

DISTRIBUITO DA- DISTRIBUTED BY



**GCE SRL**



MILANO - ITALY

[www.antideflagrante.com](http://www.antideflagrante.com)

INOX VERSION



ORDER CODING		
Codice	Normally open contact	Normally close contact
RX120EFRGRD	0 - 0 NO	0 - 0 NC
RX125EFRGRD	1 - 1 NO	1 - 1 NC
RS120EFRGRD	2 - 2 NO	2 - 2 NC
RS125EFRGRD	3 - 3 NO	3 - 3 NC
	4 - 4 NO	4 - 4 NC

Example: RS125EFRGRD11

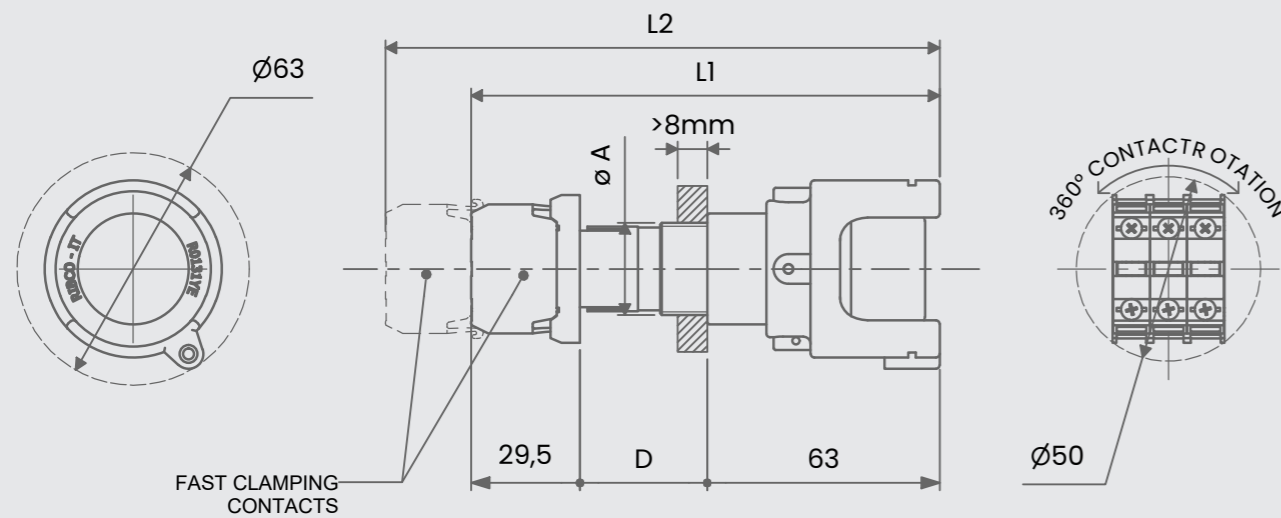


**Series EFR3G** UP TO 6 CONTACTS

- Emergency push button mushroom type with rotary release, polycarbonate protection guard up to 6 simultaneous electrical contact
- Body in nickel plated brass, ring in aluminium yellow painted and other parts in plastic PA6
- Rated insulation voltage  $U_i$ : 300V
- Rated impulse voltage  $U_{imp}$ : 2.5 kV
- Nominal voltage: 230V
- AC1 max current value: 10A
- AC15 max current value: 4A

Operating temperature	ATEX Certificate	IECEx Certificate
- 50°C ÷ + 180°C	INERIS 14 ATEX 9016U	IECEx INE 14.0055U

ATEX & IECEx Equipment Data		
Gas	Group I Zone 1	Ex II 2G Ex db IIC or IIB+H2 Gb
Dust	Group II Zone 21	Ex II 2D Ex tb IIIC Db IP66
Mine	Group I	Ex I M2 Ex db I Mb



Code	Ø A	D	L1	L2	Weight (g)
RX25EFR3GRD	Threading M25x1.5 - 6g	29	117.5	141	156
RS25EFR3GRD	M25x1.5 - 6g	35	123.5	147	175

RS SERIES	RX SERIES
Suitable for Ex d electrical enclosure IIB+H2 Internal Volume < 160,6 dm³ IIC Internal Volume < 62,9 dm³	Suitable for Ex d electrical enclosure IIB+H2 Internal Volume < 2 dm³ IIC Internal Volume < 2 dm³

ORDER CODING		
Code	Normally open contact	Normally close contact
RX25EFR3GRD	0 - 0 NO 1 - 1 NO 2 - 2 NO 3 - 3 NO	0 - 0 NC 1 - 1 NC 2 - 2 NC 3 - 3 NC
RS25EFR3GRD	4 - 4 NO 5 - 5 NO 6 - 6 NO	4 - 4 NC 5 - 5 NC 6 - 6 NC

Example: RS25EFR3GRD11

- Body in stainless steel AISI 316L
- Ring and protection guard in stainless steel AISI 316L yellow painted
- Operating temperature: -60°C ÷ +180°C

DISTRIBUITO DA- DISTRIBUTED BY



**GCE SRL**



MILANO - ITALY

[www.antideflagrante.com](http://www.antideflagrante.com)

INOX VERSION



ORDER CODING		
Code	Normally open contact	Normally close contact
RX125EFR3GRD	0 - 0 NO 1 - 1 NO 2 - 2 NO 3 - 3 NO	0 - 0 NC 1 - 1 NC 2 - 2 NC 3 - 3 NC
RS125EFR3GRD	4 - 4 NO 5 - 5 NO 6 - 6 NO	4 - 4 NC 5 - 5 NC 6 - 6 NC

Example: RS125EFR3GRD11

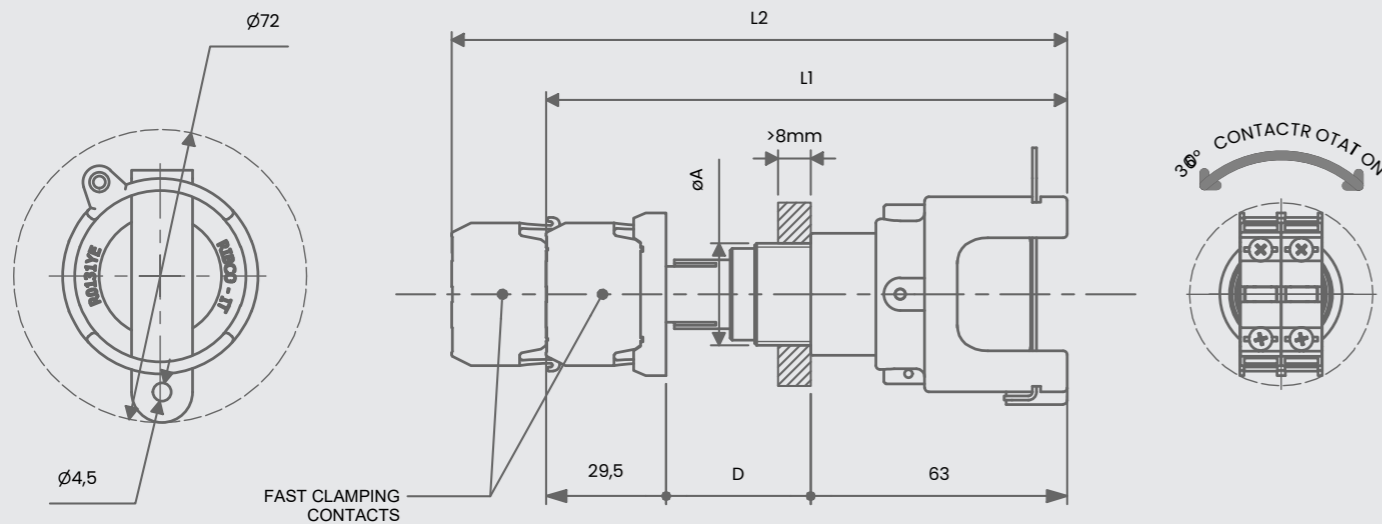


**Series EFRGL**

- Emergency push button mushroom type with rotary release, polycarbonate protection guard and stainless steel AISI 316L lockable bracket up to 4 simultaneous electrical contacts
- Body in nickel plated brass, ring in aluminium yellow painted and other parts in plastic PA6
- Rated insulation voltage  $U_i$ : 300V
- Rated impulse voltage  $U_{imp}$ : 2.5 kV
- Nominal voltage: 230V
- AC1 max current value: 10A
- AC15 max current value: 4A

Operating temperature	ATEX Certificate	IECEx Certificate
- 50°C ÷ + 180°C	INERIS 14 ATEX 9016U	IECEx INE 14.0055U

ATEX & IECEx Equipment Data		
Gas	Group I Zone 1	Ex II 2G Ex db IIC or IIB+H2 Gb
Dust	Group II Zone 21	Ex II 2D Ex tb IIIC Db IP66
Mine	Group I	Ex I M2 Ex db I Mb



Code	Ø A	D	L1	L2	Weight (g)
RX20EFRGLRD	Threading M20x1.5 - 6g	28.5	121	144	223
RX25EFRGLRD	M25x1.5 - 6g	28.5	121	144	238
RS20EFRGLRD	M20x1.5 - 6g	34.5	127	150	234
RS25EFRGLRD	M25x1.5 - 6g	34.5	127	150	257

RS SERIES	RX SERIES
Suitable for Ex d electrical enclosure IIB+H2 Internal Volume < 160,6 dm³ IIC Internal Volume < 62,9 dm³	Suitable for Ex d electrical enclosure IIB+H2 Internal Volume < 2 dm³ IIC Internal Volume < 2 dm³

ORDER CODING		
Code	Normally open contact	Normally close contact
RX20EFRGLRD	0 - 0 NO	0 - 0 NC
RX25EFRGLRD	1 - 1 NO	1 - 1 NC
RS20EFRGLRD	2 - 2 NO	2 - 2 NC
RS25EFRGLRD	3 - 3 NO	3 - 3 NC
	4 - 4 NO	4 - 4 NC

Example: RS25EFRGLRD11

- Body in stainless steel AISI 316L
- Ring and protection guard in stainless steel AISI 316L yellow painted
- Operating temperature: -60°C ÷ +180°C

DISTRIBUITO DA- DISTRIBUTED BY



**GCE SRL**



MILANO - ITALY

[www.antideflagrante.com](http://www.antideflagrante.com)

INOX VERSION



ORDER CODING		
Codice	Normally open contact	Normally close contact
RX120EFRGLRD	0 - 0 NO	0 - 0 NC
RX125EFRGLRD	1 - 1 NO	1 - 1 NC
RS120EFRGLRD	2 - 2 NO	2 - 2 NC
RS125EFRGLRD	3 - 3 NO	3 - 3 NC
	4 - 4 NO	4 - 4 NC

Example: RS125EFRGLRD11

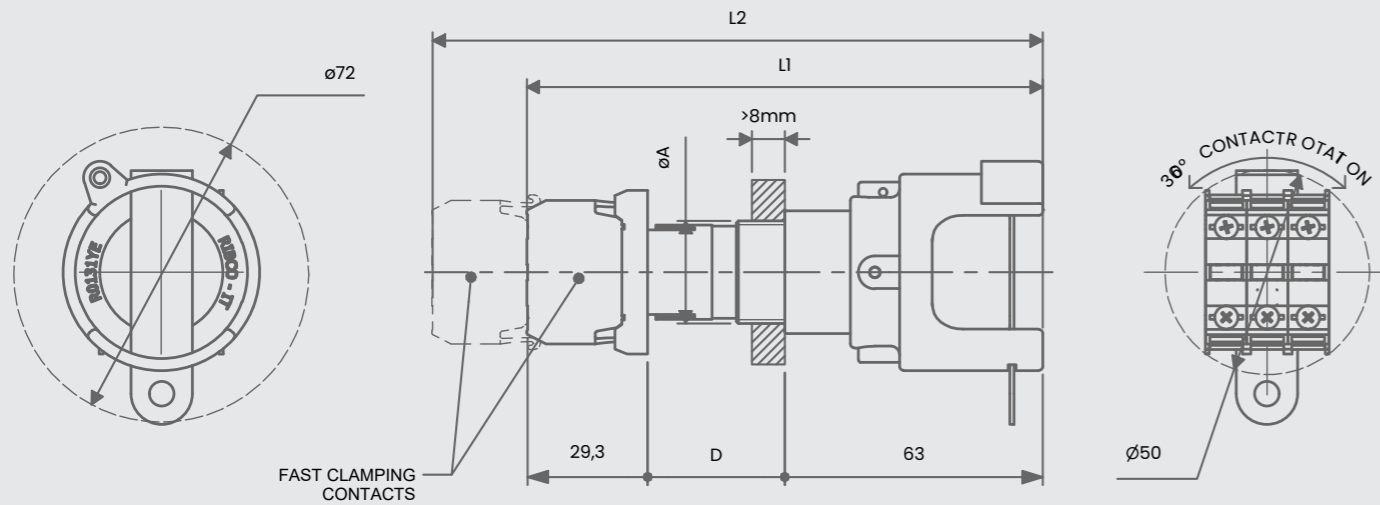


**Series EFR3GL** UP TO 6 CONTACTS

- Emergency push button mushroom type with rotary release, polycarbonate protection guard and stainless steel AISI 316L lockable bracket up to 6 simultaneous electrical contact
- Body in nickel plated brass, ring in aluminium yellow painted and other parts in plastic PA6
- Rated insulation voltage  $U_i$ : 300V
- Rated impulse voltage  $U_{imp}$ : 2.5 kV
- Nominal voltage: 230V
- AC1 max current value: 10A
- AC15 max current value: 4A

Operating temperature	ATEX Certificate	IECEx Certificate
- 50°C ÷ + 180°C	INERIS 14 ATEX 9016U	IECEx INE 14.0055U

ATEX & IECEx Equipment Data		
Gas	Group I Zone 1	Ex II 2G Ex db IIC or IIB+H2 Gb
Dust	Group II Zone 21	Ex II 2D Ex tb IIIC Db IP66
Mine	Group I	Ex I M2 Ex db I Mb



Code	Ø A	D	L1	L2	Weight (g)
RX25EFR3GLRD	Threading M25x1.5 - 6g	29	121	144	253
RS25EFR3GLRD	M25x1.5 - 6g	35	127	150	273

RS SERIES	RX SERIES
Suitable for Ex d electrical enclosure IIB+H2 Internal Volume < 160,6 dm³ IIC Internal Volume < 62,9 dm³	Suitable for Ex d electrical enclosure IIB+H2 Internal Volume < 2 dm³ IIC Internal Volume < 2 dm³

ORDER CODING		
Code	Normally open contact	Normally close contact
RX25EFR3GLRD	0 - 0 NO 1 - 1 NO 2 - 2 NO 3 - 3 NO	0 - 0 NC 1 - 1 NC 2 - 2 NC 3 - 3 NC
RS25EFR3GLRD	4 - 4 NO 5 - 5 NO 6 - 6 NO	4 - 4 NC 5 - 5 NC 6 - 6 NC

Example: RS25EFR3GLRD11

- Body in stainless steel AISI 316L
- Ring and protection guard in stainless steel AISI 316L yellow painted
- Operating temperature: -60°C ÷ +180°C

DISTRIBUITO DA- DISTRIBUTED BY

**GCE SRL**

MILANO - ITALY

[www.antideflagrante.com](http://www.antideflagrante.com)

INOX VERSION



ORDER CODING		
Code	Normally open contact	Normally close contact
RX125EFR3GLRD	0 - 0 NO 1 - 1 NO 2 - 2 NO 3 - 3 NO	0 - 0 NC 1 - 1 NC 2 - 2 NC 3 - 3 NC
RS125EFR3GLRD	4 - 4 NO 5 - 5 NO 6 - 6 NO	4 - 4 NC 5 - 5 NC 6 - 6 NC

Example: RS125EFR3GLRD11

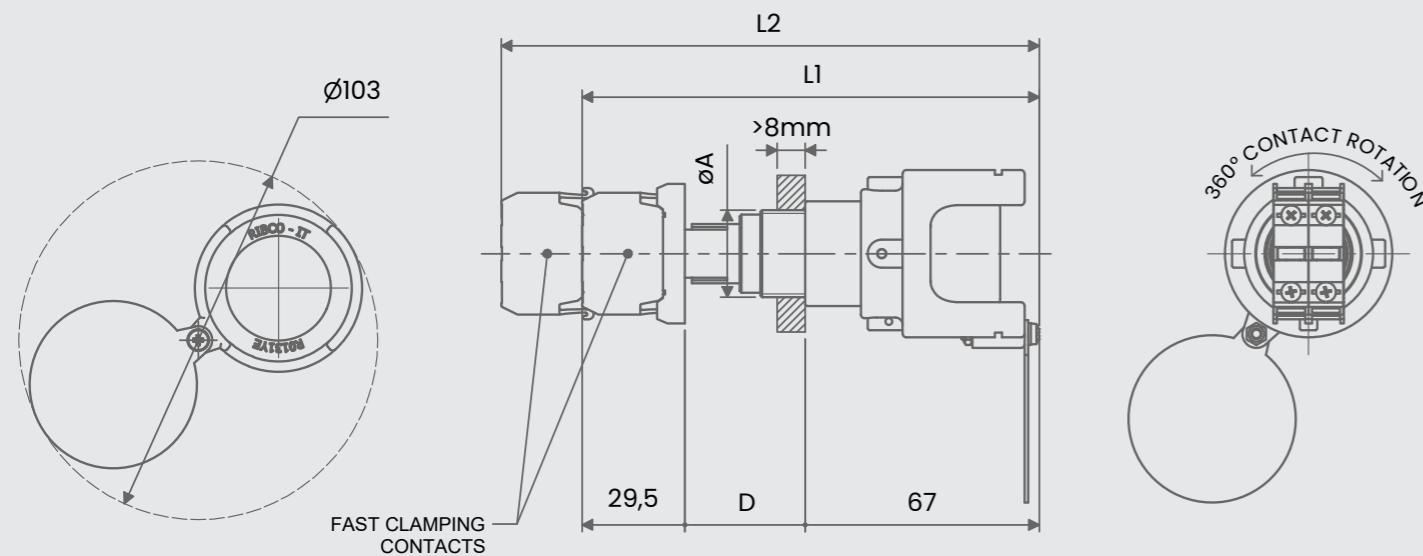


**Series EFRGP**

- Emergency push button mushroom type with rotary release, polycarbonate protection guard and stainless steel AISI 316L rotary plate up to 4 simultaneous electrical contacts
- Body in nickel plated brass, ring in aluminium yellow painted and other parts in plastic PA6
- Rated insulation voltage  $U_i$ : 300V
- Rated impulse voltage  $U_{imp}$ : 2.5 kV
- Nominal voltage: 230V
- AC1 max current value: 10A
- AC15 max current value: 4A

Operating temperature	ATEX Certificate	IECEx Certificate
- 50°C ÷ + 180°C	INERIS 14 ATEX 9016U	IECEx INE 14.0055U

ATEX & IECEx Equipment Data		
Gas	Group I Zone 1	Ex II 2G Ex db IIC or IIB+H2 Gb
Dust	Group II Zone 21	Ex II 2D Ex tb IIIC Db IP66
Mine	Group I	Ex I M2 Ex db I Mb



Code	Ø A	D	L1	L2	Weight (g)
RX20EFRGPRD	Threading M20x1.5 - 6g	28.5	125	148	285
RX25EFRGPRD	M25x1.5 - 6g	28.5	125	148	300
RS20EFRGPRD	M20x1.5 - 6g	34.5	131	154	297
RS25EFRGPRD	M25x1.5 - 6g	34.5	131	154	320

RS SERIES	RX SERIES
Suitable for Ex d electrical enclosure IIB+H2 Internal Volume < 160,6 dm³ IIC Internal Volume < 62,9 dm³	Suitable for Ex d electrical enclosure IIB+H2 Internal Volume < 2 dm³ IIC Internal Volume < 2 dm³

ORDER CODING		
Code	Normally open contact	Normally close contact
RX20EFRGPRD	0 - 0 NO	0 - 0 NC
RX25EFRGPRD	1 - 1 NO	1 - 1 NC
RS20EFRGPRD	2 - 2 NO	2 - 2 NC
RS25EFRGPRD	3 - 3 NO	3 - 3 NC
	4 - 4 NO	4 - 4 NC

Example: RS25EFRGPRD11

- Body in stainless steel AISI 316L
- Ring and protection guard in stainless steel AISI 316L yellow painted
- Operating temperature: -60°C ÷ +180°C

DISTRIBUITO DA- DISTRIBUTED BY



**GCE SRL**



MILANO - ITALY

[www.antideflagranti.com](http://www.antideflagranti.com)

INOX VERSION



ORDER CODING		
Codice	Normally open contact	Normally close contact
RX120EFRGPRD	0 - 0 NO	0 - 0 NC
RX125EFRGPRD	1 - 1 NO	1 - 1 NC
RS120EFRGPRD	2 - 2 NO	2 - 2 NC
RS125EFRGPRD	3 - 3 NO	3 - 3 NC
	4 - 4 NO	4 - 4 NC

Example: RS125EFRGPRD11





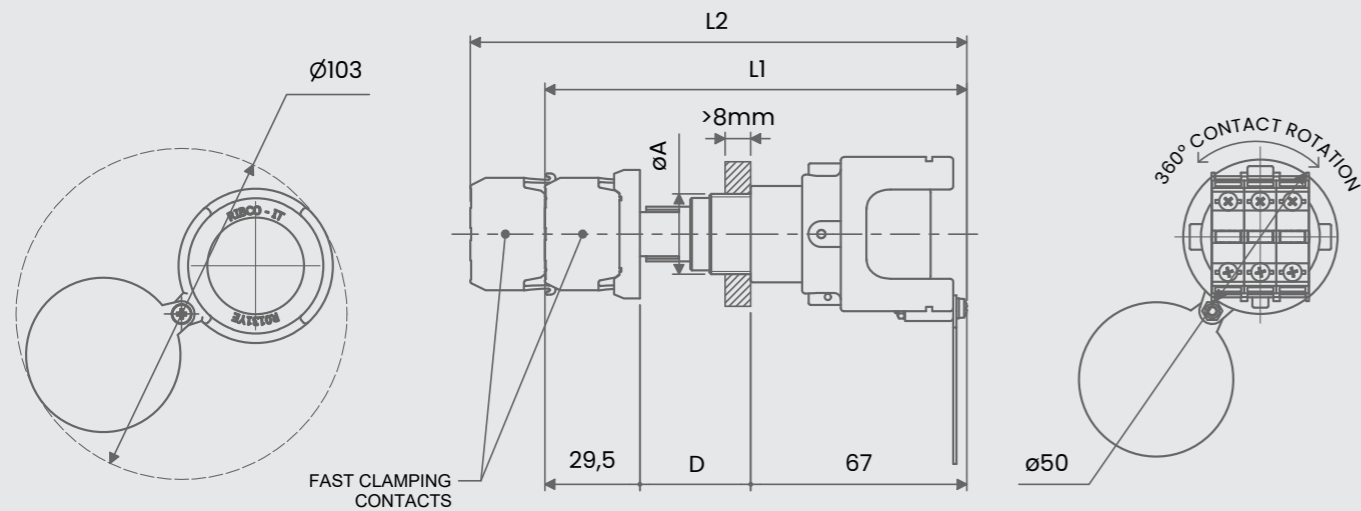
**Series EFR3GP**

UP TO 6 CONTACTS

- Emergency push button mushroom type with rotary release, polycarbonate protection guard and stainless steel AISI 316L rotary plate up to 6 simultaneous electrical contacts
- Body in nickel plated brass, ring in aluminium yellow painted and other parts in plastic PA6
- Rated insulation voltage  $U_i$ : 300V
- Rated impulse voltage  $U_{imp}$ : 2.5 kV
- Nominal voltage: 230V
- AC1 max current value: 10A
- AC15 max current value: 4A

Operating temperature	ATEX Certificate	IECEx Certificate
- 50°C ÷ + 180°C	INERIS 14 ATEX 9016U	IECEx INE 14.0055U

ATEX & IECEx Equipment Data		
Gas	Group I Zone 1	Ex II 2G Ex db IIC or IIB+H2 Gb
Dust	Group II Zone 21	Ex II 2D Ex tb IIIC Db IP66
Mine	Group I	Ex I M2 Ex db I Mb



Code	Ø A	D	L1	L2	Weight (g)
RX25EFR3GPRD	Threading M25x1.5 - 6g	29	125	148	319
RS25EFR3GPRD	M25x1.5 - 6g	35	131	154	337

RS SERIES	RX SERIES
Suitable for Ex d electrical enclosure IIB+H2 Internal Volume < 160,6 dm <sup>3</sup> IIC Internal Volume < 62,9 dm <sup>3</sup>	Suitable for Ex d electrical enclosure IIB+H2 Internal Volume < 2 dm <sup>3</sup> IIC Internal Volume < 2 dm <sup>3</sup>

ORDER CODING		
Code	Normally open contact	Normally close contact
RX25EFR3GPRD	0 - 0 NO 1 - 1 NO 2 - 2 NO 3 - 3 NO	0 - 0 NC 1 - 1 NC 2 - 2 NC 3 - 3 NC
RS25EFR3GPRD	4 - 4 NO 5 - 5 NO 6 - 6 NO	4 - 4 NC 5 - 5 NC 6 - 6 NC

Example: RS25EFR3GPRD11

- Body in stainless steel AISI 316L
- Rotary plate in stainless steel AISI 316L
- Ring and protection guard in stainless steel AISI 316L yellow painted
- Operating temperature: -60°C ÷ +180°C

DISTRIBUITO DA- DISTRIBUTED BY



**GCE SRL**



INOX VERSION



MILANO - ITALY

[www.antideflagrante.com](http://www.antideflagrante.com)

Code	ORDER CODING	
	Normally open contact	Normally close contact
RX125EFR3GPRD	0 - 0 NO 1 - 1 NO 2 - 2 NO 3 - 3 NO	0 - 0 NC 1 - 1 NC 2 - 2 NC 3 - 3 NC
RS125EFR3GPRD	4 - 4 NO 5 - 5 NO 6 - 6 NO	4 - 4 NC 5 - 5 NC 6 - 6 NC

Example: RS125EFR3GPRD11

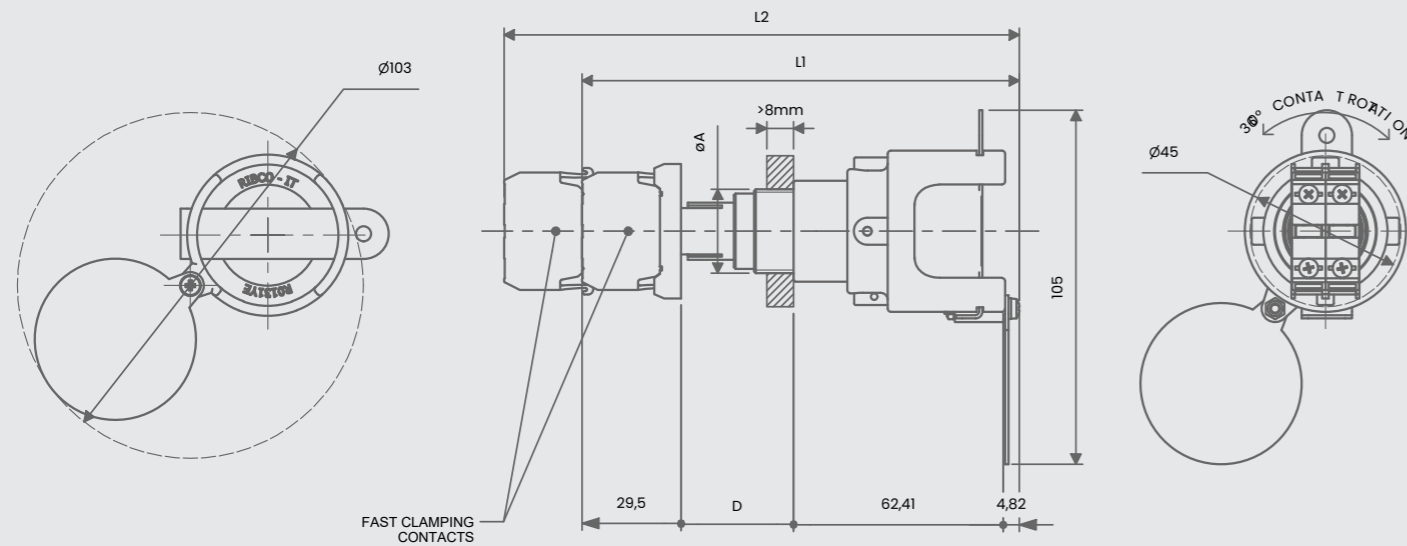


**Series EFRGLP**

- Emergency push button mushroom type with rotary release, polycarbonate protection guard, stainless steel AISI316L lockable bracket and 360° rotary plate up to 4 simultaneous electrical contacts
- Body in nickel plated brass, ring in aluminium yellow painted and other parts in plastic PA6
- Rated insulation voltage  $U_i$ : 300V
- Rated impulse voltage  $U_{imp}$ : 2.5 kV
- Nominal voltage: 230V
- AC1 max current value: 10A
- AC15 max current value: 4A

Operating temperature	ATEX Certificate	IECEx Certificate
- 50°C ÷ + 180°C	INERIS 14 ATEX 9016U	IECEx INE 14.0055U

ATEX & IECEx Equipment Data		
Gas	Group I Zone 1	Ex II 2G Ex db IIC or IIB+H2 Gb
Dust	Group II Zone 21	Ex II 2D Ex tb IIIC Db IP66
Mine	Group I	Ex I M2 Ex db I Mb



Code	Ø A	D	L1	L2	Weight (g)
RX20EFRGLPRD	Threading M20x1.5 - 6g	28.5	125	148	293
RX25EFRGLPRD	M25x1.5 - 6g	28.5	125	148	308
RS20EFRGLPRD	M20x1.5 - 6g	34.5	131	154	305
RS25EFRGLPRD	M25x1.5 - 6g	34.5	131	154	328

RS SERIES	RX SERIES
Suitable for Ex d electrical enclosure IIB+H2 Internal Volume < 160,6 dm <sup>3</sup> IIC Internal Volume < 62,9 dm <sup>3</sup>	Suitable for Ex d electrical enclosure IIB+H2 Internal Volume < 2 dm <sup>3</sup> IIC Internal Volume < 2 dm <sup>3</sup>

ORDER CODING		
Code	Normally open contact	Normally close contact
RX20EFRGLPRD	0 - 0 NO	0 - 0 NC
RX25EFRGLPRD	1 - 1 NO	1 - 1 NC
RS20EFRGLPRD	2 - 2 NO	2 - 2 NC
RS25EFRGLPRD	3 - 3 NO	3 - 3 NC
	4 - 4 NO	4 - 4 NC

Example: RS25EFRGLPRD11

- Body in stainless steel AISI 316L
- Rotary plate in stainless steel AISI 316L
- Ring and protection guard in stainless steel AISI 316L
- yellow painted
- Operating temperature: -60°C ÷ +180°C

DISTRIBUITO DA- DISTRIBUTED BY



**GCE SRL**



MILANO - ITALY

[www.antideflagrante.com](http://www.antideflagrante.com)

INOX VERSION



ORDER CODING		
Codice	Normally open contact	Normally close contact
RX120EFRGLPRD	0 - 0 NO	0 - 0 NC
RX125EFRGLPRD	1 - 1 NO	1 - 1 NC
RS120EFRGLPRD	2 - 2 NO	2 - 2 NC
RS125EFRGLPRD	3 - 3 NO	3 - 3 NC
	4 - 4 NO	4 - 4 NC

Example: RS125EFRGLPRD11



**Series EFR3GLP** UP TO 6 CONTACTS

- Emergency push button mushroom type with rotary release, polycarbonate protection guard, stainless steel AISI316L lockable bracket and 360° rotary plate up to 6 simultaneous electrical contacts
- Body in nickel plated brass, ring in aluminium yellow painted and other parts in plastic PA6
- Rated insulation voltage  $U_i$ : 300V
- Rated impulse voltage  $U_{imp}$ : 2.5 kV
- Nominal voltage: 230V
- AC1 max current value: 10A
- AC15 max current value: 4A

Operating temperature	ATEX Certificate	IECEx Certificate
- 50°C ÷ + 180°C	INERIS 14 ATEX 9016U	IECEx INE 14.0055U

ATEX & IECEx Equipment Data		
Gas	Group I Zone 1	Ex II 2G Ex db IIC or IIB+H2 Gb
Dust	Group II Zone 21	Ex II 2D Ex tb IIIC Db IP66
Mine	Group I	Ex I M2 Ex db I Mb



Code	Ø A	D	L1	L2	Weight (g)
RX25EFR3GLPRD	Threading M25x1.5 - 6g	29	125	148	325
RS25EFR3GLPRD	M25x1.5 - 6g	35	131	154	345

RS SERIES	RX SERIES
Suitable for Ex d electrical enclosure IIB+H2 Internal Volume < 160,6 dm³ IIC Internal Volume < 62,9 dm³	Suitable for Ex d electrical enclosure IIB+H2 Internal Volume < 2 dm³ IIC Internal Volume < 2 dm³

ORDER CODING		
Code	Normally open contact	Normally close contact
RX25EFR3GLPRD	0 - 0 NO 1 - 1 NO 2 - 2 NO 3 - 3 NO	0 - 0 NC 1 - 1 NC 2 - 2 NC 3 - 3 NC
RS25EFR3GLPRD	4 - 4 NO 5 - 5 NO 6 - 6 NO	4 - 4 NC 5 - 5 NC 6 - 6 NC

Example: RS25EFR3GLPRD11

- Body in stainless steel AISI 316L
- Rotary plate in stainless steel AISI 316L
- Ring and protection guard in stainless steel AISI 316L yellow painted
- Operating temperature: -60°C ÷ +180°C

DISTRIBUITO DA- DISTRIBUTED BY



MILANO - ITALY  
[www.antideflagranti.com](http://www.antideflagranti.com)

INOX VERSION



ORDER CODING		
Code	Normally open contact	Normally close contact
RXI25EFR3GLPRD	0 - 0 NO 1 - 1 NO 2 - 2 NO 3 - 3 NO	0 - 0 NC 1 - 1 NC 2 - 2 NC 3 - 3 NC
RSI25EFR3GLPRD	4 - 4 NO 5 - 5 NO 6 - 6 NO	4 - 4 NC 5 - 5 NC 6 - 6 NC

Example: RSI25EFR3GLPRD11

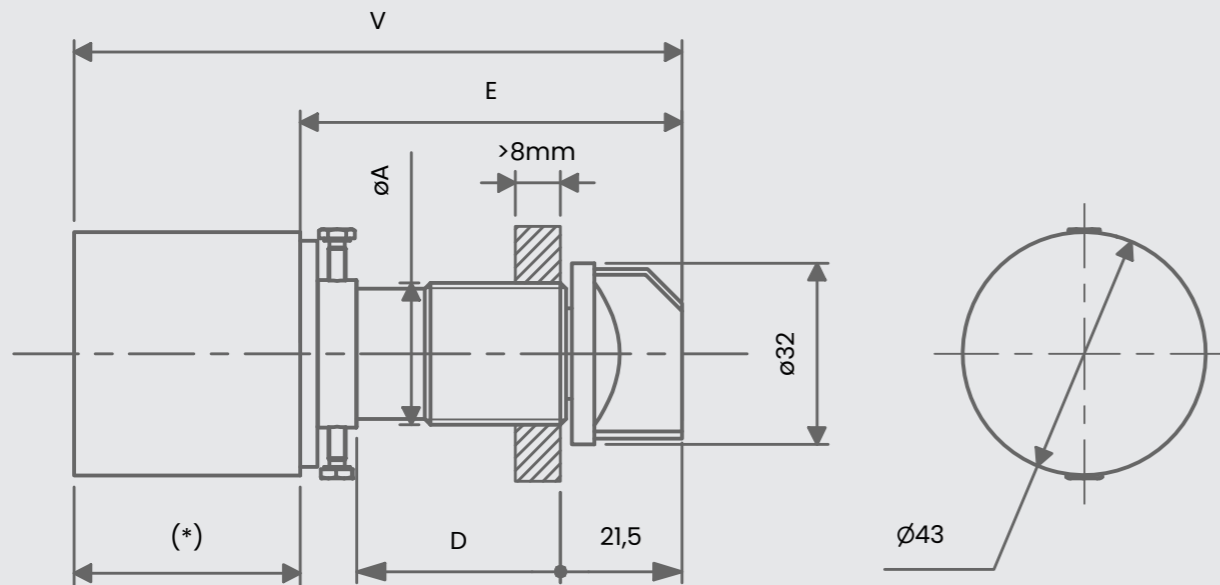


**Series M5A**

- Rotary CAM switch with black plastic knob
- Body in nickel plated brass and other parts in plastic PA6
- Rate degree of protection: IP66
- Cable cross section: 1.5 ÷ 2.5 mm<sup>2</sup>
- Rated insulation voltage: 750V
- Max voltage: 660V
- Max rated operational current: 25A
- AC1 max current value: 16A
- AC3 max current value: 6A
- Max rated power for 3-phase motor 50/60Hz at 380-440V: 5,5 kW

Operating temperature	ATEX Certificate	IECEx Certificate
- 50°C ÷ + 180°C	INERIS 14 ATEX 9016U	IECEx INE 14.0055U

ATEX & IECEx Equipment Data		
Gas	Group I Zone 1	Ex II 2G Ex db IIC or IIB+H2 Gb
Dust	Group II Zone 21	Ex II 2D Ex tb IIIC Db IP66
Mine	Group I	Ex I M2 Ex db I Mb



\* Length changes according to the type of contact chosen

Code	Ø A	D	E	V	Weight (g)
RX20M5A	Threading M20x1.5 - 6g	21	52.5	81 ÷ 105.5	82
RX25M5A	M25x1.5 - 6g	21	52.5	81 ÷ 105.5	113
RS20M5A	M20x1.5 - 6g	36	67.5	96 ÷ 120.5	93
RS25M5A	M25x1.5 - 6g	36	67.5	96 ÷ 120.5	145

RS SERIES	RX SERIES
Suitable for Ex d electrical enclosure IIB+H2 Internal Volume < 160,6 dm <sup>3</sup> IIC Internal Volume < 62,9 dm <sup>3</sup>	Suitable for Ex d electrical enclosure IIB+H2 Internal Volume < 2 dm <sup>3</sup> IIC Internal Volume < 2 dm <sup>3</sup>

ORDER CODING		
Code		Electrical contact
RX20M5A		K1002
RX25M5A		K1003
RS20M5A	+	K2003
RS25M5A		K2023
		K3004
		K3021

Example: RX25M5A-K1002

DISTRIBUITO DA- DISTRIBUTED BY



**GCE SRL**



MILANO - ITALY

[www.antideflagranti.com](http://www.antideflagranti.com)