



LCS1



LCSIL



LCS1Y



LCS1H



LCS3



LCS3L



LCS3Y



LCS3H



LCS3A



LCS3AL



LCS3AY



LCS3H

DISTRIBUITO DA- DISTRIBUTED BY



**GCE SRL**



MILANO - ITALY

[www.antideflagranti.com](http://www.antideflagranti.com)

comm@antideflagranti.com

LCS 21 / 251

- Rotary cam switch up to 20A.
- Different type of switch, on-off, deviator, etc.



Features

Material used: Stainless steel AISI 316L

Max Amb. Temperature: from -50°C up to 80°C

NPT thread: 3/4" NPT

ISO 262 thread: M25x1.5

Degree of protection: IP66

External painting: no painting

Max rated voltage: 690Vac

AC1 max current value: 20A

Cable section: 1,5 ÷ 2,5 mmq

Nominal frequency: 50/60Hz

ATEX & IECEx Equipment Data

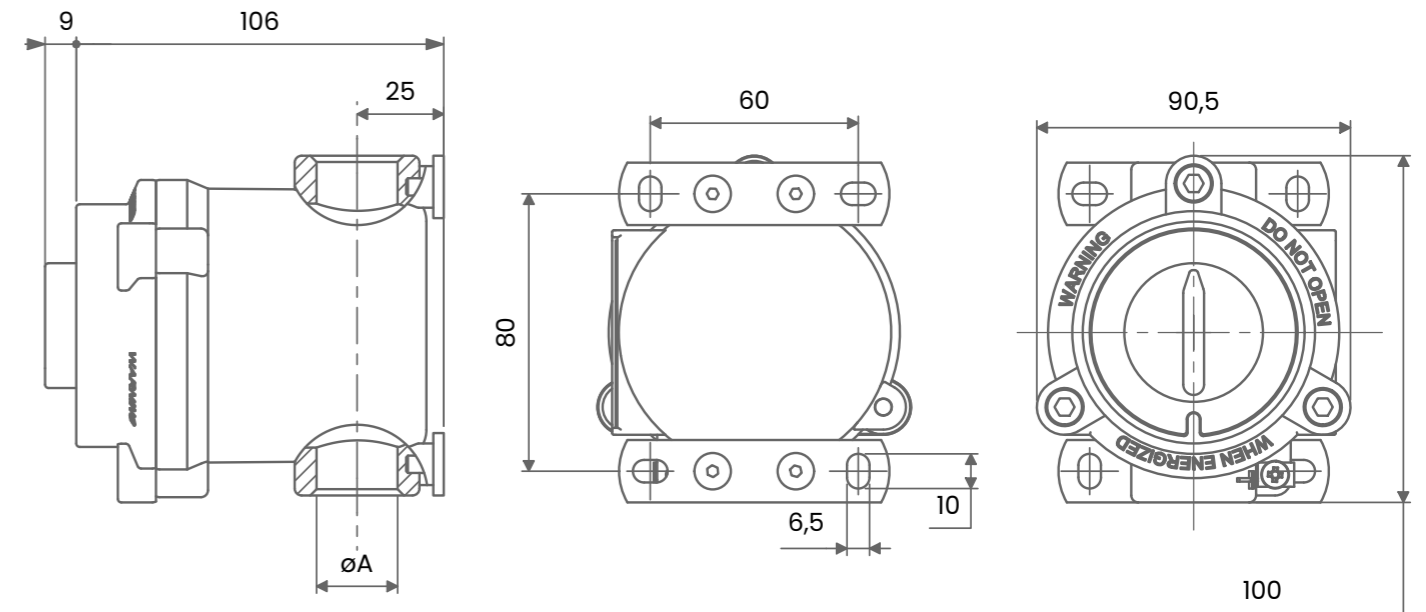
Gas	Group I Zone 1	Ex d I Mb Ex d IIC T6 Gb
Dust	Group II Zone 21	Ex tb IIIC T85°C Db IP66 Tamb: -20°C ÷ +40°C

ATEX Certificate

BVI 15 ATEX 0073

IECEx Certificate

IECEx EPS 15.0069



Code	ØA
LCS251	M25x1.5 - 6H
LCS21	3/4" NPT

ORDER CODING

Code	Electrical Contact
LCS251	+ See table 9-1
LCS21	

Example: LCS21-K1012

DISTRIBUITO DA- DISTRIBUTED BY



**GCE SRL**



MILANO - ITALY

[www.antideflagrante.com](http://www.antideflagrante.com)

LCS 21L / 251L

- Rotary cam switch up to 20A.
- Different type of switch, on-off, deviator, etc.
- Lockable knob operator.



Features

Material used: Stainless steel AISI 316L

Max Amb. Temperature: from -50°C up to 80°C

NPT thread: 3/4" NPT

ISO 262 thread: M25x1.5

Degree of protection: IP66

External painting: no painting

Max rated voltage: 690Vac

AC1 max current value: 20A

Cable section: 1,5 ÷ 2,5 mmq

Nominal frequency: 50/60Hz

ATEX & IECEx Equipment Data

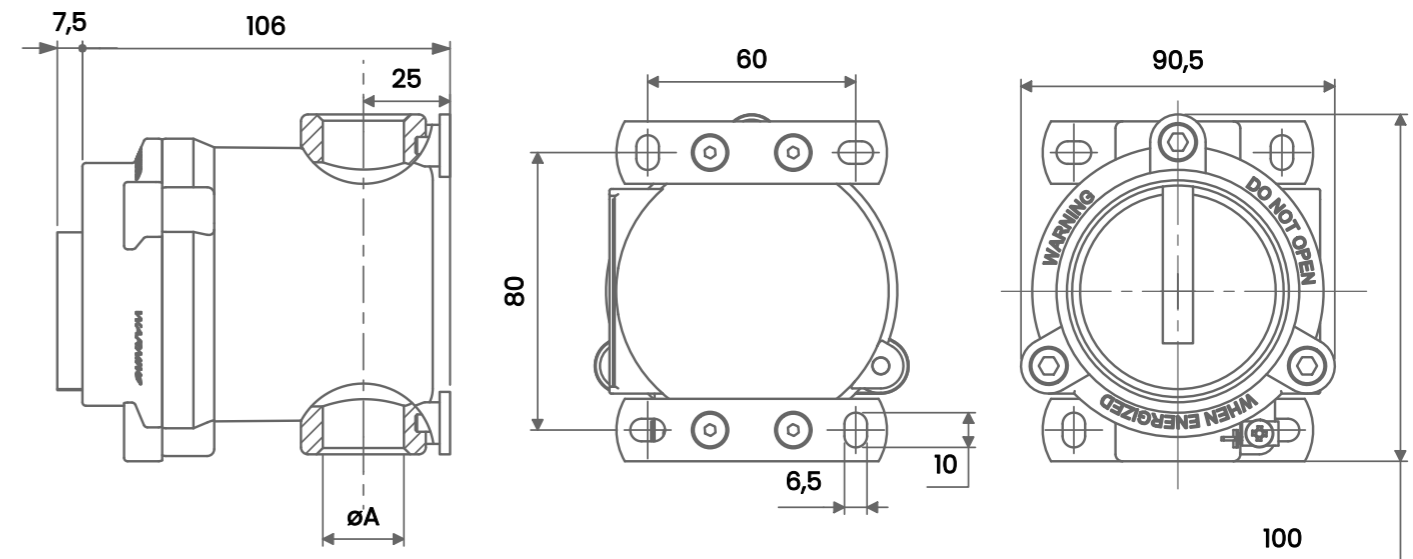
Gas	Group I Zone 1	Ex d I Mb Ex d IIC T6 Gb
Dust	Group II Zone 21	Ex tb IIIC T85°C Db IP66
		Tamb: -20°C ÷ +40°C

ATEX Certificate

BVI 15 ATEX 0073

IECEx Certificate

IECEx EPS 15.0069



Code	ØA
LCS251L	M25x1.5 - 6H
LCS21L	3/4" NPT

ORDER CODING		
Code	Knob Color	Electrical contact
LCS251L	● BK	+ See Table 9-1
LCS21L	● RD	

Example: LCS21L-K1012



DISTRIBUITO DA- DISTRIBUTED BY

**GCE SRL**



MILANO - ITALY

www.antideflagrangce.com

DISTRIBUITO DA- DISTRIBUTED BY



**GCE SRL**



MILANO - ITALY

[www.antideflagranti.com](http://www.antideflagranti.com)



- Rotary cam switch up to 20A.
- Different type of switch, on-off, deviator, etc.
- Key YALE

**Features**

**Material used:** Stainless steel AISI 316L

**Max Amb. Temperature:** from -50°C up to 80°C

**NPT thread:** 3/4" NPT

**Max rated voltage:** 690Vac

**ISO 262 thread:** M25x1.5

**AC1 max current value:** 20A

**Degree of protection:** IP66

**Cable section:** 1,5 ÷ 2,5 mmq

**External painting:** no painting

**Nominal frequency:** 50/60Hz

**ATEX & IECEx Equipment Data**

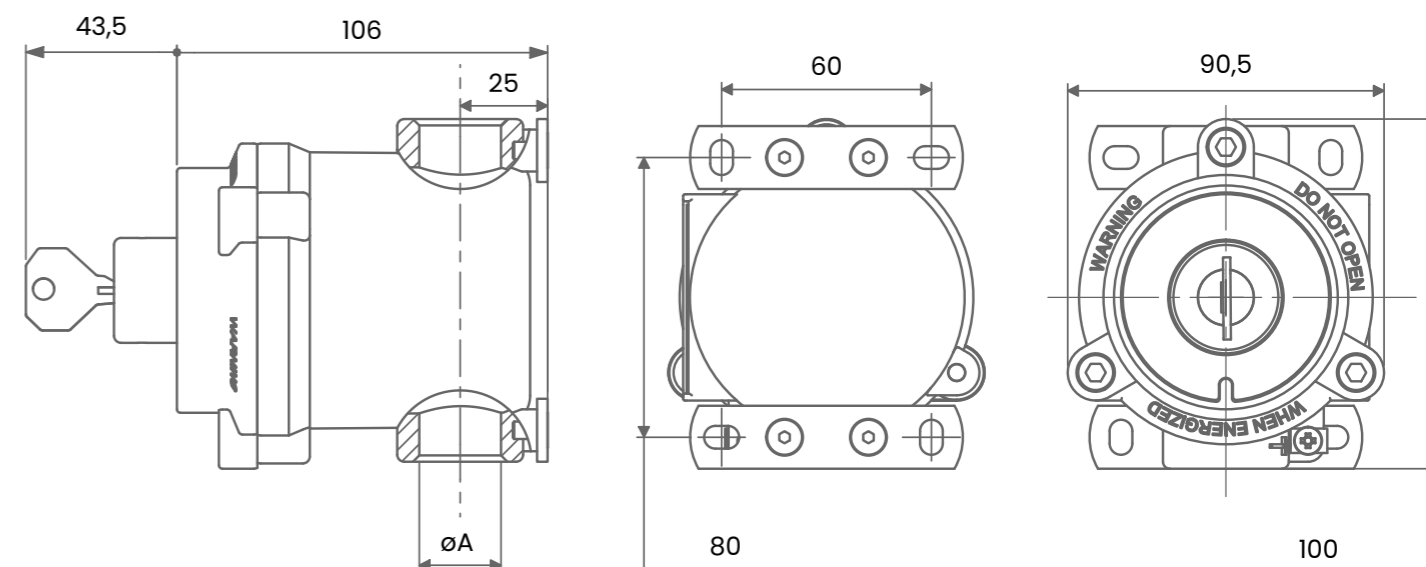
<b>Gas</b>	Group I Zone 1	Ex d I Mb Ex d IIC T6 Gb
<b>Dust</b>	Group II Zone 21	Ex tb IIIC T85°C Db IP66
		Tamb: -20°C ÷ +40°C

**ATEX Certificate**

BVI 15 ATEX 0073

**IECEx Certificate**

IECEx EPS 15.0069



Code	ØA
LCS251Y	M25x1.5 - 6H
LCS21Y	3/4" NPT

ORDER CODING		
Code	Key code	Electrical contact
LCS251Y	A - 3103	
LCS21Y	B - 3108	+
	C - 3108	+
		See Table 9-1

Example: LCS21Y-K1012

DISTRIBUITO DA- DISTRIBUTED BY



**GCE SRL**



MILANO - ITALY

[www.antideflagranti.com](http://www.antideflagranti.com)



- Rotary cam switch up to 20A.
- Different type of switch, on-off, deviator, etc.
- Rotary cam switch with triangle key.

**Features**

**Material used:** Stainless steel AISI 316L

**Max Amb. Temperature:** from -50°C up to 80°C

**NPT thread:** 3/4" NPT

**ISO 262 thread:** M25x1.5

**Degree of protection:** IP66

**External painting:** no painting

**Max rated voltage:** 690Vac

**AC1 max current value:** 20A

**Cable section:** 1,5 ÷ 2,5 mmq

**Nominal frequency:** 50/60Hz

**ATEX & IECEx Equipment Data**

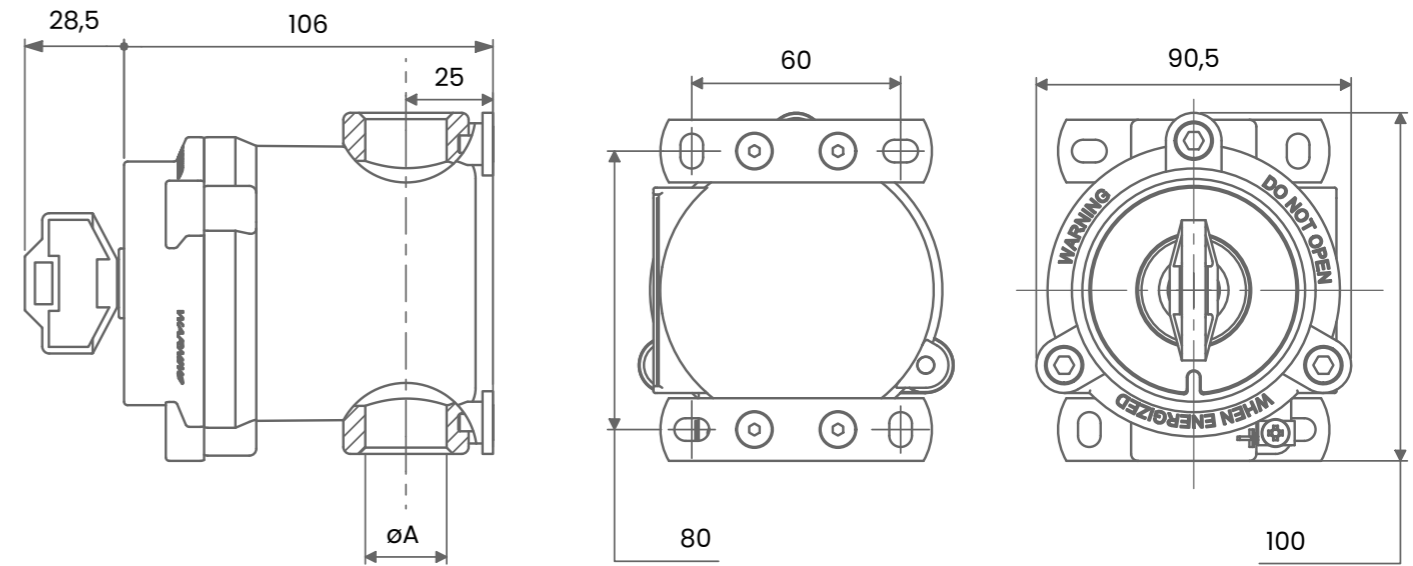
<b>Gas</b>	Group I Zone 1	Ex d I Mb Ex d IIC T6 Gb
<b>Dust</b>	Group II Zone 21	Ex tb IIIC T85°C Db IP66 Tamb: -20°C ÷ +40°C

**ATEX Certificate**

BVI 15 ATEX 0073

**IECEx Certificate**

IECEx EPS 15.0069



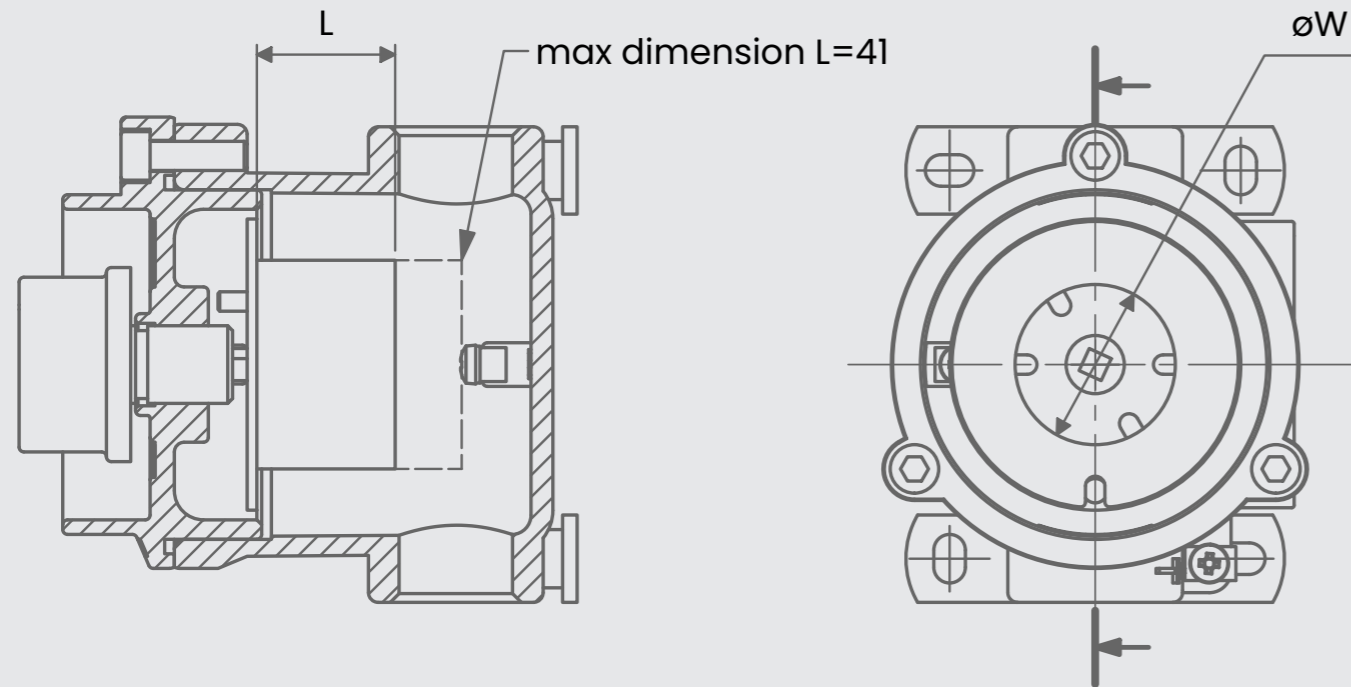
Code	ØA
LCS251H	M25x1.5 - 6H
LCS21H	3/4" NPT

**ORDER CODING**

Code	Electrical Contact
LCS251H	+ See table 9-1
LCS21H	

Example: LCS21H-K1012

## ROTATIVE ELECTRICAL CONTACT - Table 9-1



Code	N° Pole	Current Ith [A]	AC3 Rated Power [KW]	Switch Angles	Cross Section [mm²]	øW [mm]	L [mm]	Function
K1001	1	16	1.5	60°	2 x 1.5÷2.5	43	29,5	0-1   ON/OFF
K2001	1	20	2.2	60°	2 x 1.5÷2.5	43	29,5	0-1   ON/OFF
K1002	2	16	1.5	60°	2 x 1.5÷2.5	43	29,5	0-1   ON/OFF
K2002	2	20	2.2	60°	2 x 1.5÷2.5	43	29,5	0-1   ON/OFF
K1003	3	16	2.2	60°	2 x 1.5÷2.5	43	29,5	0-1   ON/OFF
K2003	3	20	4	60°	2 x 1.5÷2.5	43	29,5	0-1   ON/OFF
K1004	4	16	2.2	60°	2 x 1.5÷2.5	43	41	0-1   ON/OFF
K2004	4	20	4	60°	2 x 1.5÷2.5	43	41	0-1   ON/OFF
K3004	4	25	5.5	60°	2 x 1.5÷2.5	43	41	0-1   ON/OFF
K1011	1	16	1.5	60°	2 x 1.5÷2.5	43	29,5	1-0-2 MAINS TRANSFER
K2011	1	20	2.2	60°	2 x 1.5÷2.5	43	29,5	1-0-2 MAINS TRANSFER
K3011	1	25	3	60°	2 x 1.5÷2.5	43	29,5	1-0-2 MAINS TRANSFER

Code	N° Pole	Current Ith [A]	AC3 Rated Power [KW]	Switch Angles	Cross Section [mm²]	øW [mm]	L [mm]	Function
K1012	2	16	1.5	60°	2 x 1.5÷2.5	43	41	1-0-2 MAINS TRANSFER
K2012	2	20	2.2	60°	2 x 1.5÷2.5	43	41	1-0-2 MAINS TRANSFER
K3012	2	25	3	60°	2 x 1.5÷2.5	43	41	1-0-2 MAINS TRANSFER
K1013	3	16	2.2	60°	2 x 1.5÷2.5	43	41	1-0-2 MAINS TRANSFER
K2013	3	20	4	60°	2 x 1.5÷2.5	43	41	1-0-2 MAINS TRANSFER
K3013	3	25	5.5	60°	2 x 1.5÷2.5	43	41	1-0-2 MAINS TRANSFER
K1014	4	16	2.2	60°	2 x 1.5÷2.5	43	53,5	1-0-2 MAINS TRANSFER
K2014	4	20	4	60°	2 x 1.5÷2.5	43	53,5	1-0-2 MAINS TRANSFER
K3014	4	25	5.5	60°	2 x 1.5÷2.5	43	53,5	1-0-2 MAINS TRANSFER
K1021	1	16	1.5	60°	2 x 1.5÷2.5	43	29,5	1-2   CHANGE OVER
K2021	1	20	2.2	60°	2 x 1.5÷2.5	43	29,5	1-2   CHANGE OVER
K3021	1	25	3	60°	2 x 1.5÷2.5	43	29,5	1-2   CHANGE OVER
K1022	2	16	1.5	60°	2 x 1.5÷2.5	43	41	1-2   CHANGE OVER
K2022	2	20	2.2	60°	2 x 1.5÷2.5	43	41	1-2   CHANGE OVER
K3022	2	25	3	60°	2 x 1.5÷2.5	43	41	1-2   CHANGE OVER
K1023	3	16	2.2	60°	2 x 1.5÷2.5	43	41	1-2   CHANGE OVER
K2023	3	20	4	60°	2 x 1.5÷2.5	43	41	1-2   CHANGE OVER
K3023	3	25	5.5	60°	2 x 1.5÷2.5	43	41	1-2   CHANGE OVER

DISTRIBUITO DA- DISTRIBUTED BY


**GCE SRL**


MILANO - ITALY

[www.antideflagrante.com](http://www.antideflagrante.com)

DISTRIBUITO DA- DISTRIBUTED BY



**GCE SRL**



MILANO - ITALY

[www.antideflagranti.com](http://www.antideflagranti.com)



- Rotary cam switch up to 40A.
- Different type of switch, on-off, deviator, etc.
- Rotary cam switch with knob operator.

**Features**

**Material used:** Stainless steel AISI 316L

**Max Amb. Temperature:** from -50°C up to 80°C

**NPT thread:** 3/4" NPT or 1"

**ISO 262 thread:** M25x1.5 or M32x1.5

**Degree of protection:** IP66

**Max rated voltage:** 690Vac

**ACI max current value:** 40A

**Cable section:** 1,5 ÷ 16 mmq

**Nominal frequency:** 50/60Hz

**External painting:** no painting

**ATEX & IECEx Equipment Data**

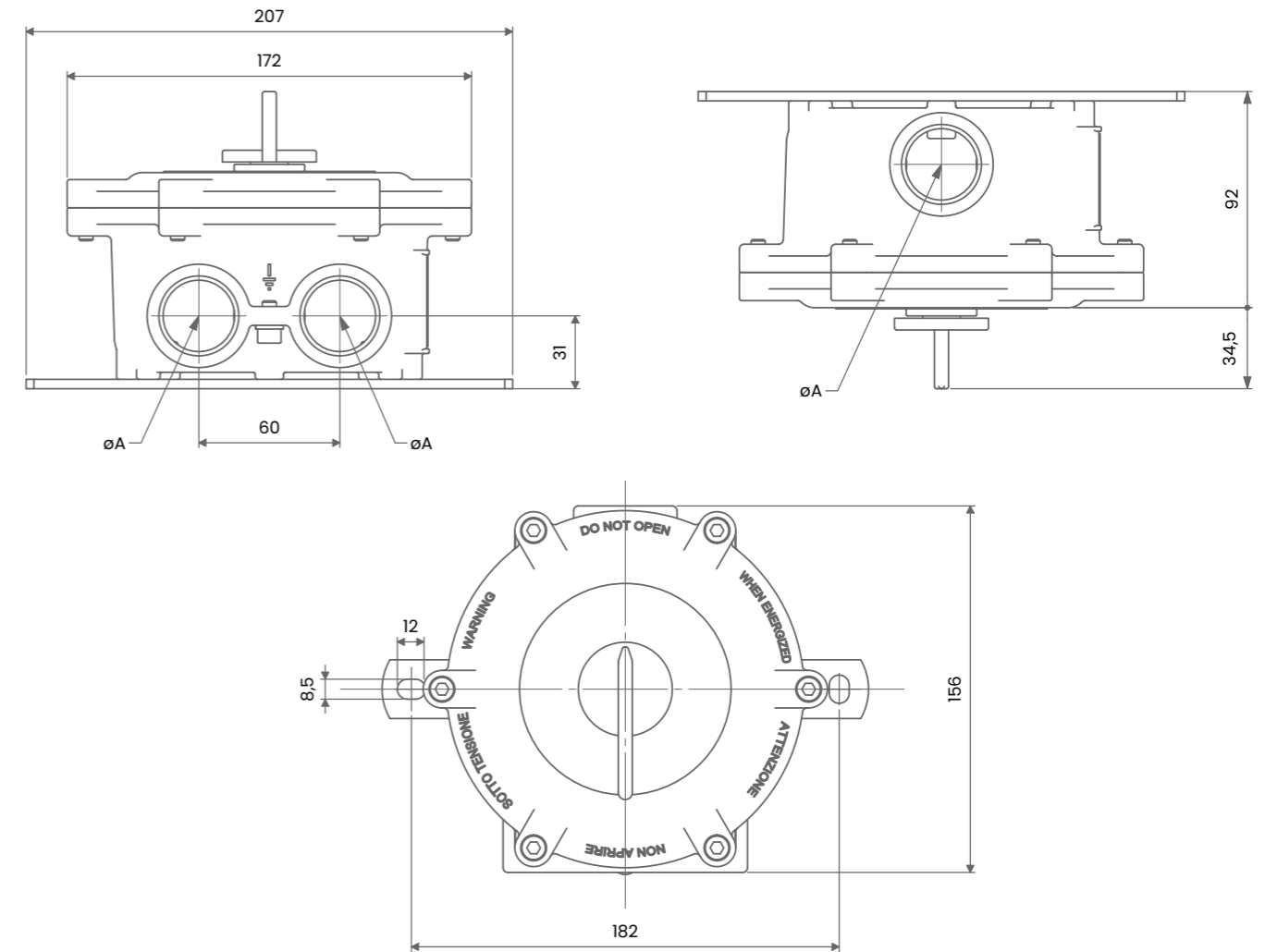
<b>Gas</b>	Group I Zone 1	Ex d I Mb Ex d IIC T6 Gb
<b>Dust</b>	Group II Zone 21	Ex tb IIIC T85°C Db IP66
		Tamb: -20°C ÷ +40°C

**ATEX Certificate**

BVI 15 ATEX 0073

**IECEx Certificate**

IECEx EPS 15.0069



Code	ØA
LCS23	3/4" NPT
LCS33	1" NPT
LCS253	M25x1.5 - 6H
LCS323	M32x1.5 - 6H

**ORDER CODING**

Code	Electrical Contact
LCS23	See table 9-2
LCS33	
LCS253	
LCS323	

Example: LCS23-K1012

DISTRIBUITO DA- DISTRIBUTED BY



**GCE SRL**



MILANO - ITALY

[www.antideflagranti.com](http://www.antideflagranti.com)



- Rotary cam switch up to 40A.
- Different type of switch, on-off, deviator, etc.
- Rotary cam switch with lockable knob operator.

**Features**

**Material used:** Stainless steel AISI 316L

**Max Amb. Temperature:** from -50°C up to 80°C

**NPT thread:** 3/4" NPT or 1"

**ISO 262 thread:** M25x1.5 or M32x1.5

**Degree of protection:** IP66

**Max rated voltage:** 690Vac

**AC1 max current value:** 40A

**Cable section:** 1,5 ÷ 16 mmq

**Nominal frequency:** 50/60Hz

**External painting:** no painting

**ATEX & IECEx Equipment Data**

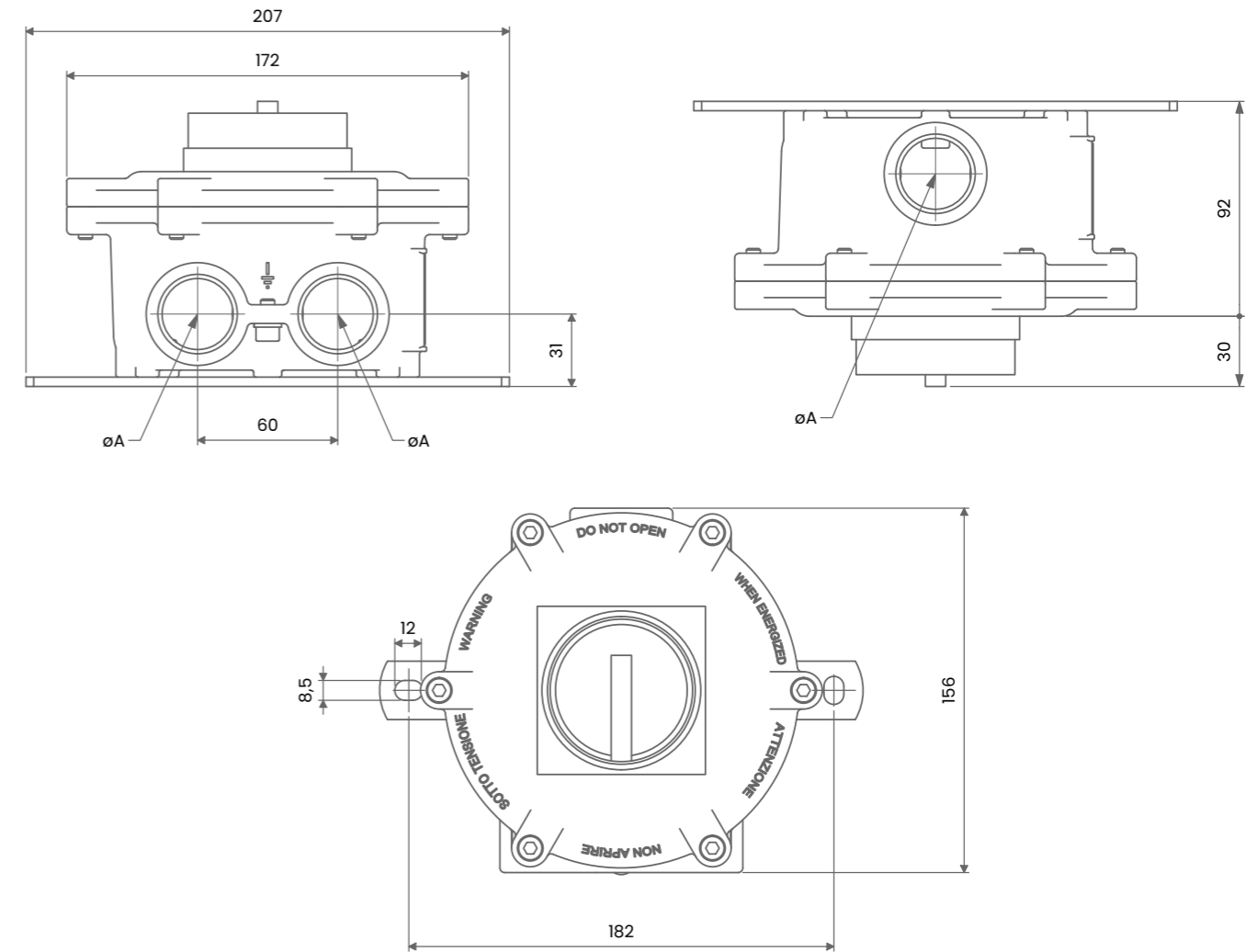
<b>Gas</b>	Group I Zone 1	Ex d I Mb Ex d IIC T6 Gb
<b>Dust</b>	Group II Zone 21	Ex tb IIIC T85°C Db IP66 Tamb: -20°C ÷ +40°C

**ATEX Certificate**

BVI 15 ATEX 0073

**IECEx Certificate**

IECEx EPS 15.0069



Code	ØA
LCS23L	3/4" NPT
LCS33L	1" NPT
LCS253L	M25x1.5 - 6H
LCS323L	M32x1.5 - 6H

**ORDER CODING**

Code	Knob Color	Quadrant Color	Electrical contact
LCS23L	BK ●	Y ●	See Table 9-2
LCS33L			
LCS253L	RD ●	G ●	
LCS323L			

Example: LCS23L-K1012



DISTRIBUITO DA- DISTRIBUTED BY



MILANO - ITALY

[www.antideflagranti.com](http://www.antideflagranti.com)



- Rotary cam switch up to 40A.
- Different type of switch, on-off, deviator, etc.
- Rotary cam switch with YALE key operator.

**Features**

**Material used:** Stainless steel AISI 316L

**Max Amb. Temperature:** from -50°C up to 80°C

**NPT thread:** 3/4" NPT or 1"

**ISO 262 thread:** M25x1.5 or M32x1.5

**Degree of protection:** IP66

**Max rated voltage:** 690Vac

**AC1 max current value:** 40A

**Cable section:** 1,5 ÷ 16 mmq

**Nominal frequency:** 50/60Hz

**External painting:** no painting

**ATEX & IECEx Equipment Data**

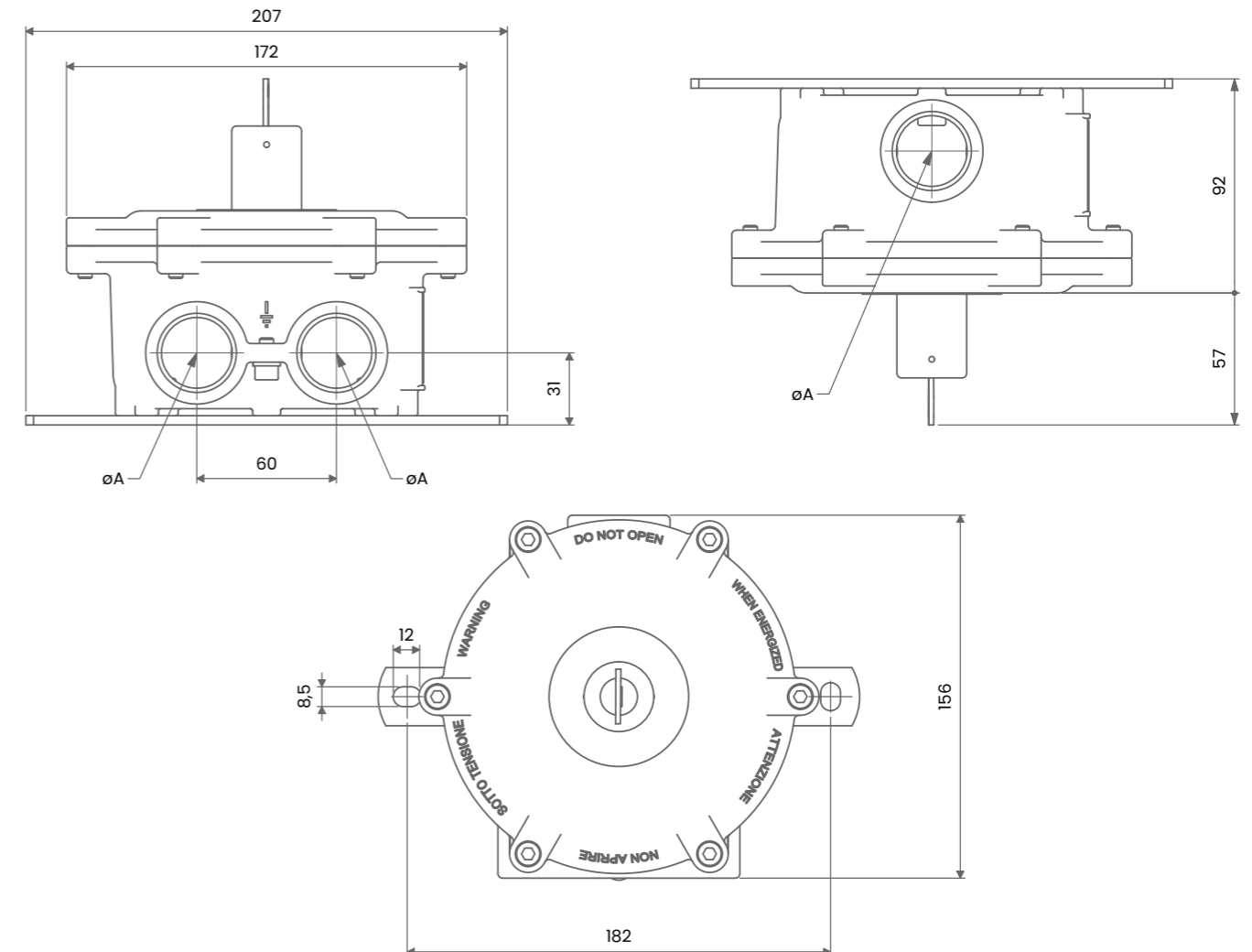
<b>Gas</b>	Group I Zone 1	Ex d I Mb Ex d IIC T6 Gb
<b>Dust</b>	Group II Zone 21	Ex tb IIIC T85°C Db IP66 Tamb: -20°C ÷ +40°C

**ATEX Certificate**

BVI 15 ATEX 0073

**IECEx Certificate**

IECEx EPS 15.0069



Code	ØA
LCS23Y	3/4" NPT
LCS33Y	1" NPT
LCS253Y	M25x1.5 - 6H
LCS323Y	M32x1.5 - 6H

ORDER CODING			
Code	Key code		Electrical contact
LCS23Y	A - 3103		
LCS33Y	B - 3108		
LCS253Y		+	See Table 9-2
LCS323Y	C - 3108		

Example: LCS23Y-K1012

DISTRIBUITO DA- DISTRIBUTED BY



**GCE SRL**



MILANO - ITALY

[www.antideflagranti.com](http://www.antideflagranti.com)

- Rotary cam switch up to 40A.
- Different type of switch, on-off, deviator, etc.
- Rotary cam switch with triangle key operator.

**Features**

**Material used:** Stainless steel AISI 316L

**Max Amb. Temperature:** from -50°C up to 80°C

**NPT thread:** 3/4" NPT or 1"

**ISO 262 thread:** M25x1.5 or M32x1.5

**Degree of protection:** IP66

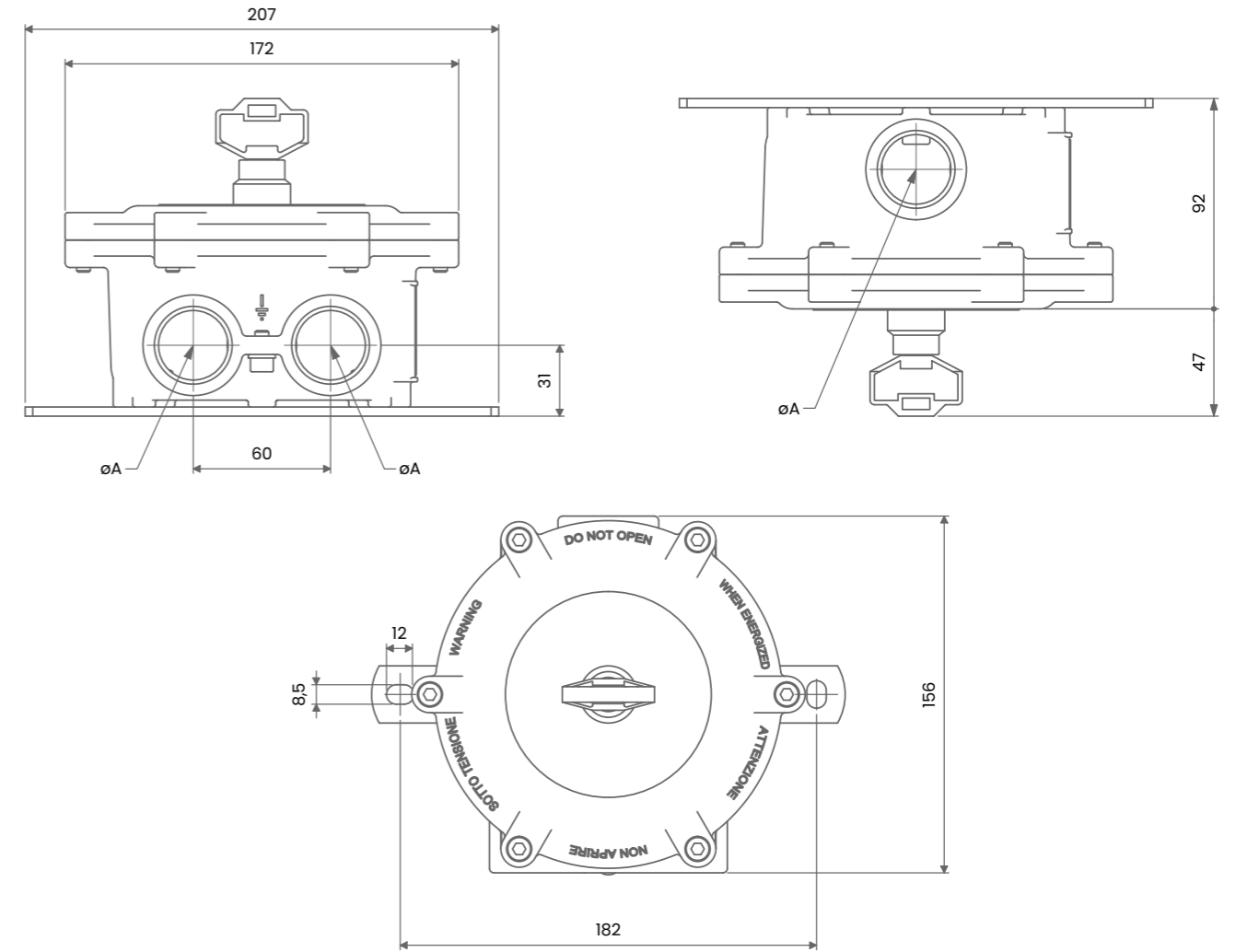
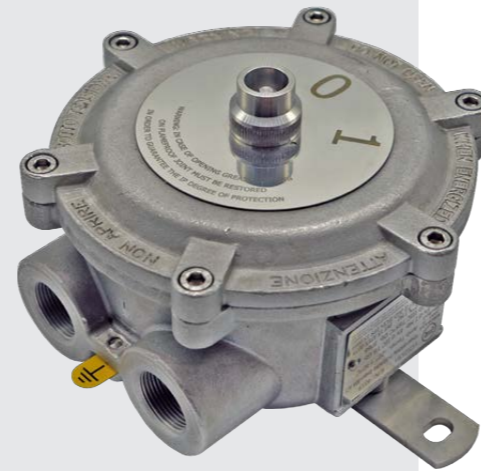
**Max rated voltage:** 690Vac

**AC1 max current value:** 40A

**Cable section:** 1,5 ÷ 16 mmq

**Nominal frequency:** 50/60Hz

**External painting:** no painting



Code	ØA
LCS23H	3/4" NPT
LCS33H	1" NPT
LCS253H	M25x1.5 - 6H
LCS323H	M32x1.5 - 6H

**ATEX & IECEx Equipment Data**

<b>Gas</b>	Group I Zone 1	Ex d I Mb Ex d IIC T6 Gb
<b>Dust</b>	Group II Zone 21	Ex tb IIIC T85°C Db IP66
		Tamb: -20°C ÷ +40°C

ATEX Certificate	IECEx Certificate
BVI 15 ATEX 0073	IECEx EPS 15.0069

**ORDER CODING**

Code	Electrical Contact
LCS23H	
LCS33H	
LCS253H	
LCS323H	
	+
	See table 9-2

Example: LCS23H-K1012

DISTRIBUITO DA- DISTRIBUTED BY



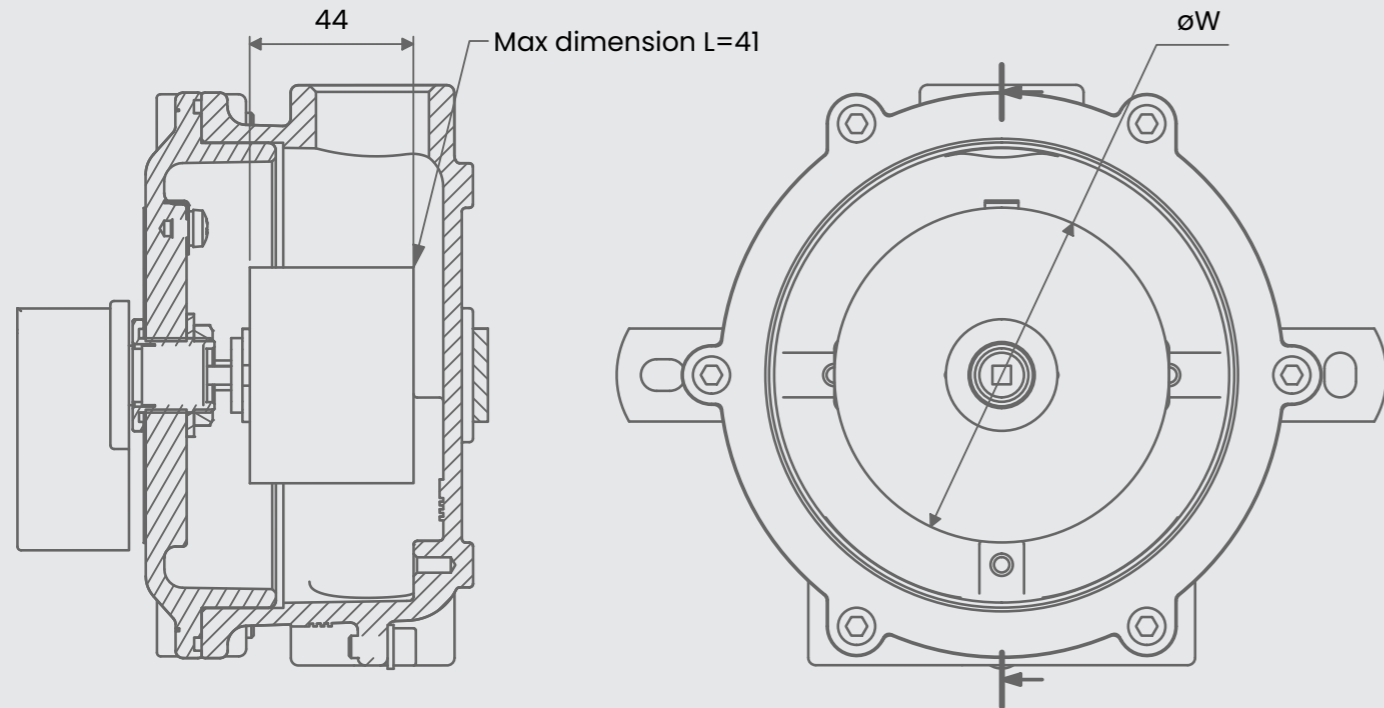
**GCE SRL**



MILANO - ITALY

[www.antideflagrartigce.com](http://www.antideflagrartigce.com)

**ROTATIVE ELECTRICAL CONTACT - Table 9-2**



Code	N° Pole	Current Ith [A]	AC3 Rated Power [KW]	Switch Angles	Cross Section [mm²]	øW [mm]	L [mm]	Function
K1001	1	16	1.5	60°	2 x 1.5÷2.5	43	29.5	0-1   ON/OFF
K2001	1	20	2.2	60°	2 x 1.5÷2.5	43	29.5	0-1   ON/OFF
K3001	1	25	3	60°	2 x 1.5÷2.5	43	29.5	0-1   ON/OFF
K4001	1	32	4	60°	2 x 2.5÷4	58	29.5	0-1   ON/OFF
K5001	1	36	5.5	60°	2 x 2.5÷4	58	29.5	0-1   ON/OFF
K6001	1	40	7.5	60°	2 x 2.5÷4	58	29.5	0-1   ON/OFF
K7001	1	40	7.5	60°	2 x 6÷16	58	29.5	0-1   ON/OFF
K1002	2	16	1.5	60°	2 x 1.5÷2.5	43	29.5	0-1   ON/OFF
K2002	2	20	2.2	60°	2 x 1.5÷2.5	43	29.5	0-1   ON/OFF
K3002	2	25	3	60°	2 x 1.5÷2.5	43	29.5	0-1   ON/OFF
K4002	2	32	4	60°	2 x 2.5÷4	58	29.5	0-1   ON/OFF
K5002	2	36	5.5	60°	2 x 2.5÷4	58	29.5	0-1   ON/OFF

**comm@antideflagrartigce.com**

Code	N° Pole	Current Ith [A]	AC3 Rated Power [KW]	Switch Angles	Cross Section [mm²]	øW [mm]	L [mm]	Function
K6002	2	40	7.5	60°	2 x 2.5÷4	58	29.5	0-1   ON/OFF
K7002	2	40	7.5	60°	2 x 2.5÷4	58	29.5	0-1   ON/OFF
K1003	3	16	2.2	60°	2 x 1.5÷2.5	43	29.5	0-1   ON/OFF
K2003	3	20	4	60°	2 x 1.5÷2.5	43	29.5	0-1   ON/OFF
K3003	3	25	5.5	60°	2 x 1.5÷2.5	43	29.5	0-1   ON/OFF
K4003	3	32	7.5	60°	2 x 2.5÷4	58	29.5	0-1   ON/OFF
K5003	3	36	11	60°	2 x 2.5÷4	58	29.5	0-1   ON/OFF
K6003	3	40	15	60°	2 x 2.5÷4	58	29.5	0-1   ON/OFF
K7003	3	40	15	60°	2 x 6÷16	58	29.5	0-1   ON/OFF
K1004	4	16	2.2	60°	2 x 1.5÷2.5	43	41	0-1   ON/OFF
K2004	4	20	4	60°	2 x 1.5÷2.5	43	41	0-1   ON/OFF
K3004	4	25	5.5	60°	2 x 1.5÷2.5	43	41	0-1   ON/OFF
K4004	4	32	7.5	60°	2 x 2.5÷4	58	41	0-1   ON/OFF
K5004	4	36	11	60°	2 x 2.5÷4	58	41	0-1   ON/OFF
K6004	4	40	15	60°	2 x 2.5÷4	58	41	0-1   ON/OFF
K1011	1	16	1.5	60°	2 x 1.5÷2.5	43	29.5	1-0-2 MAINS TRANSFER
K2011	1	20	2.2	60°	2 x 1.5÷2.5	43	29.5	1-0-2 MAINS TRANSFER
K3011	1	25	3	60°	2 x 1.5÷2.5	43	29.5	1-0-2 MAINS TRANSFER
K4011	1	32	4	60°	2 x 2.5÷4	58	29.5	1-0-2 MAINS TRANSFER
K5011	1	36	5.5	60°	2 x 2.5÷4	58	29.5	1-0-2 MAINS TRANSFER
K6011	1	40	7.5	60°	2 x 2.5÷4	58	29.5	1-0-2 MAINS TRANSFER
K1012	2	16	1.5	60°	2 x 1.5÷2.5	43	41	1-0-2 MAINS TRANSFER
K2012	2	20	2.2	60°	2 x 1.5÷2.5	43	41	1-0-2 MAINS TRANSFER
K3012	2	25	3	60°	2 x 1.5÷2.5	43	41	1-0-2 MAINS TRANSFER
K4012	2	32	4	60°	2 x 2.5÷4	58	41	1-0-2 MAINS TRANSFER
K5012	2	36	5.5	60°	2 x 2.5÷4	58	41	1-0-2 MAINS TRANSFER
K6012	2	40	7.5	60°	2 x 2.5÷4	58	41	1-0-2 MAINS TRANSFER
K1013	3	16	2.2	60°	2 x 1.5÷2.5	43	41	1-0-2 MAINS TRANSFER
K2013	3	20	4	60°	2 x 1.5÷2.5	43	41	1-0-2 MAINS TRANSFER
K3013	3	25	5.5	60°	2 x 1.5÷2.5	43	41	1-0-2 MAINS TRANSFER
K4013	3	32	7.5	60°	2 x 2.5÷4	58	41	1-0-2 MAINS TRANSFER
K5013	3	36	11	60°	2 x 2.5÷4	58	41	1-0-2 MAINS TRANSFER
K6013	3	40	15	60°	2 x 2.5÷4	58	41	1-0-2 MAINS TRANSFER

**ROTATIVE ELECTRICAL CONTACT - Table 9-2**

Code	N° Pole	Current Ith [A]	AC3 Rated Power [KW]	Switch Angles	Cross Section [mm <sup>2</sup> ]	øW [mm]	L [mm]	Function
K1021	1	16	1.5	60°	2 x 1.5÷2.5	43	29.5	1-2   CHANGE OVER
K2021	1	20	2.2	60°	2 x 1.5÷2.5	43	29.5	1-2   CHANGE OVER
K3021	1	25	3	60°	2 x 1.5÷2.5	43	29.5	1-2   CHANGE OVER
K4021	1	32	4	60°	2 x 2.5÷4	58	29.5	1-2   CHANGE OVER
K5021	1	36	5.5	60°	2 x 2.5÷4	58	29.5	1-2   CHANGE OVER
K6021	1	40	7.5	60°	2 x 2.5÷4	58	29.5	1-2   CHANGE OVER
K1022	2	16	1.5	60°	2 x 1.5÷2.5	43	41	1-2   CHANGE OVER
K2022	2	20	2.2	60°	2 x 1.5÷2.5	42	41	1-2   CHANGE OVER
K3022	2	25	3	60°	2 x 1.5÷2.5	43	41	1-2   CHANGE OVER
K4022	2	32	4	60°	2 x 2.5÷4	58	41	1-2   CHANGE OVER
K5022	2	36	5.5	60°	2 x 2.5÷4	58	41	1-2   CHANGE OVER
K6022	2	40	7.5	60°	2 x 2.5÷4	58	41	1-2   CHANGE OVER
K1023	3	16	2.2	60°	2 x 1.5÷2.5	43	41	1-2   CHANGE OVER
K2023	3	20	4	60°	2 x 1.5÷2.5	43	41	1-2   CHANGE OVER
K3023	3	25	5.5	60°	2 x 1.5÷2.5	43	41	1-2   CHANGE OVER
K4023	3	32	7.5	60°	2 x 2.5÷4	58	41	1-2   CHANGE OVER
K5023	3	36	11	60°	2 x 2.5÷4	58	41	1-2   CHANGE OVER
K6023	3	40	15	60°	2 x 2.5÷4	58	41	1-2   CHANGE OVER

DISTRIBUITO DA- DISTRIBUTED BY


**GCE SRL**


MILANO - ITALY

[www.antideflagranticge.com](http://www.antideflagranticge.com)
**comm@antideflagranticge.com**

DISTRIBUITO DA- DISTRIBUTED BY



**GCE SRL**



MILANO - ITALY

[www.antideflagranti.com](http://www.antideflagranti.com)

- The switch series LCS 3A can also include terminal strips model type as indicated in the table.
- Rotary cam switch up to 40A.
- Different type of switch, on-off, deviator, etc.
- Rotary cam switch with knob operator.



**Features**

**Material used:** Stainless steel AISI 316L

**Max Amb. Temperature:** from -50°C up to 80°C

**NPT thread:** 3/4" NPT or 1"

**ISO 262 thread:** M25x1.5 or M32x1.5

**Degree of protection:** IP66

**Max rated voltage:** 690Vac

**AC1 max current value:** 40A

**Cable section:** 1,5 ÷ 16 mmq

**Nominal frequency:** 50/60Hz

**External painting:** no painting

**ATEX & IECEx Equipment Data**

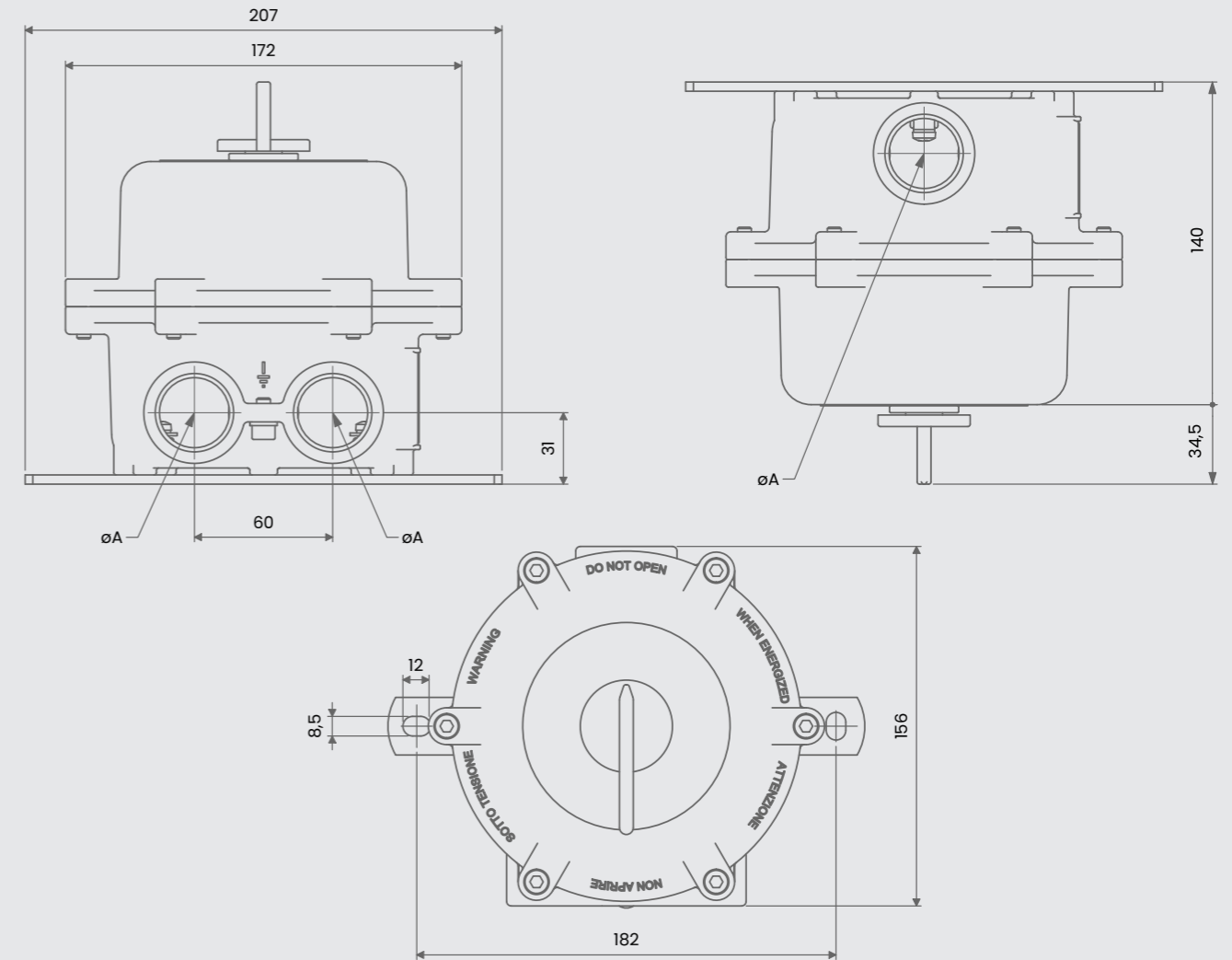
<b>Gas</b>	Group I Zone 1	Ex d I Mb Ex d IIC T6 Gb
<b>Dust</b>	Group II Zone 21	Ex tb IIIC T85°C Db IP66 Tamb: -20°C ÷ +40°C

**ATEX Certificate**

BVI 15 ATEX 0073

**IECEx Certificate**

IECEx EPS 15.0069



Code	ØA
LCS23A	3/4" NPT
LCS33A	1" NPT
LCS253A	M25x1.5 - 6H
LCS323A	M32x1.5 - 6H

**ORDER CODING**

Code	Electrical Contact
LCS23A	
LCS33A	
LCS253A	
LCS323A	
	+
	See table 9-3

Example: LCS23A-K1012

DISTRIBUITO DA- DISTRIBUTED BY



**GCE SRL**



MILANO - ITALY

[www.antideflagrante.com](http://www.antideflagrante.com)

- The switch series LCS 3A can also include terminal strips model type as indicated in the table.
- Rotary cam switch up to 40A.
- Different type of switch, on-off, deviator, etc.
- Rotary cam switch with lockable knob operator.

**Features**

**Material used:** Stainless steel AISI 316L

**Max Amb. Temperature:** from -50°C up to 80°C

**NPT thread:** 3/4" NPT or 1"

**ISO 262 thread:** M25x1.5 or M32x1.5

**Degree of protection:** IP66

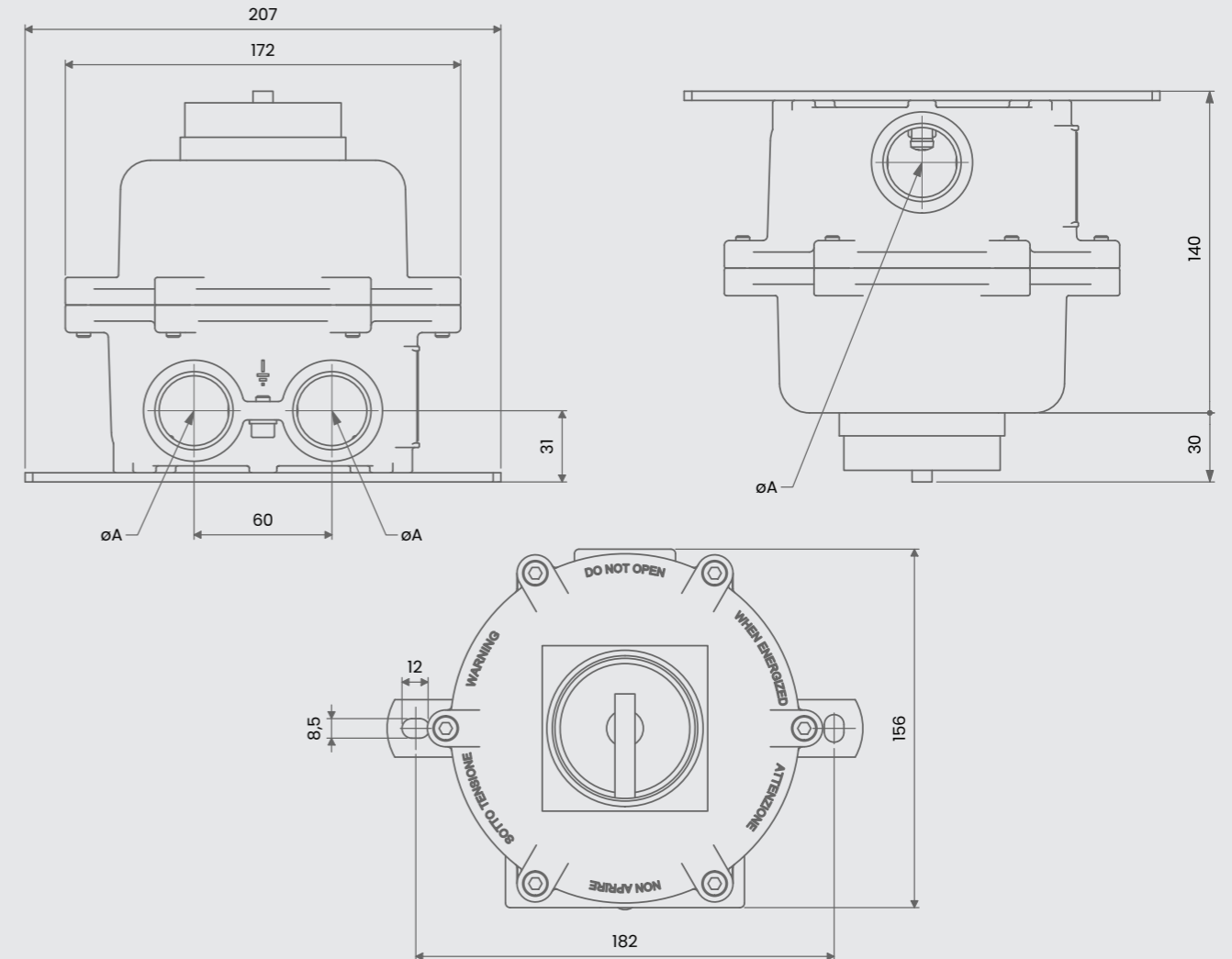
**Max rated voltage:** 690Vac

**AC1 max current value:** 40A

**Cable section:** 1,5 ÷ 16 mmq

**Nominal frequency:** 50/60Hz

**External painting:** no painting



Code	ØA
LCS23AL	3/4" NPT
LCS33AL	1" NPT
LCS253AL	M25x1.5 - 6H
LCS323AL	M32x1.5 - 6H

**ATEX & IECEx Equipment Data**

<b>Gas</b>	Group I Zone 1	Ex d I Mb Ex d IIC T6 Gb
<b>Dust</b>	Group II Zone 21	Ex tb IIIC T85°C Db IP66
		Tamb: -20°C ÷ +40°C

ATEX Certificate	IECEx Certificate
BVI 15 ATEX 0073	IECEx EPS 15.0069

**ORDER CODING**

Code	Knob Color	Quadrant Color	Electrical contact
LCS23AL	BK ●	Y ●	See Table 9-3
LCS33AL			
LCS25A3L	RD ●	G ●	
LCS323AL			

Example: LCS23AL-K1012

DISTRIBUITO DA- DISTRIBUTED BY



**GCE SRL**



MILANO - ITALY

[www.antideflagranti.com](http://www.antideflagranti.com)

- The switch series LCS 3A can also include terminal strips model type as indicated in the table.
- Rotary cam switch up to 40A.
- Different type of switch, on-off, deviator, etc.
- Rotary cam switch with Yale key operator.

**Features**

**Material used:** Stainless steel AISI 316L

**Max Amb. Temperature:** from -50°C up to 80°C

**NPT thread:** 3/4" NPT or 1"

**ISO 262 thread:** M25x1.5 or M32x1.5

**Degree of protection:** IP66

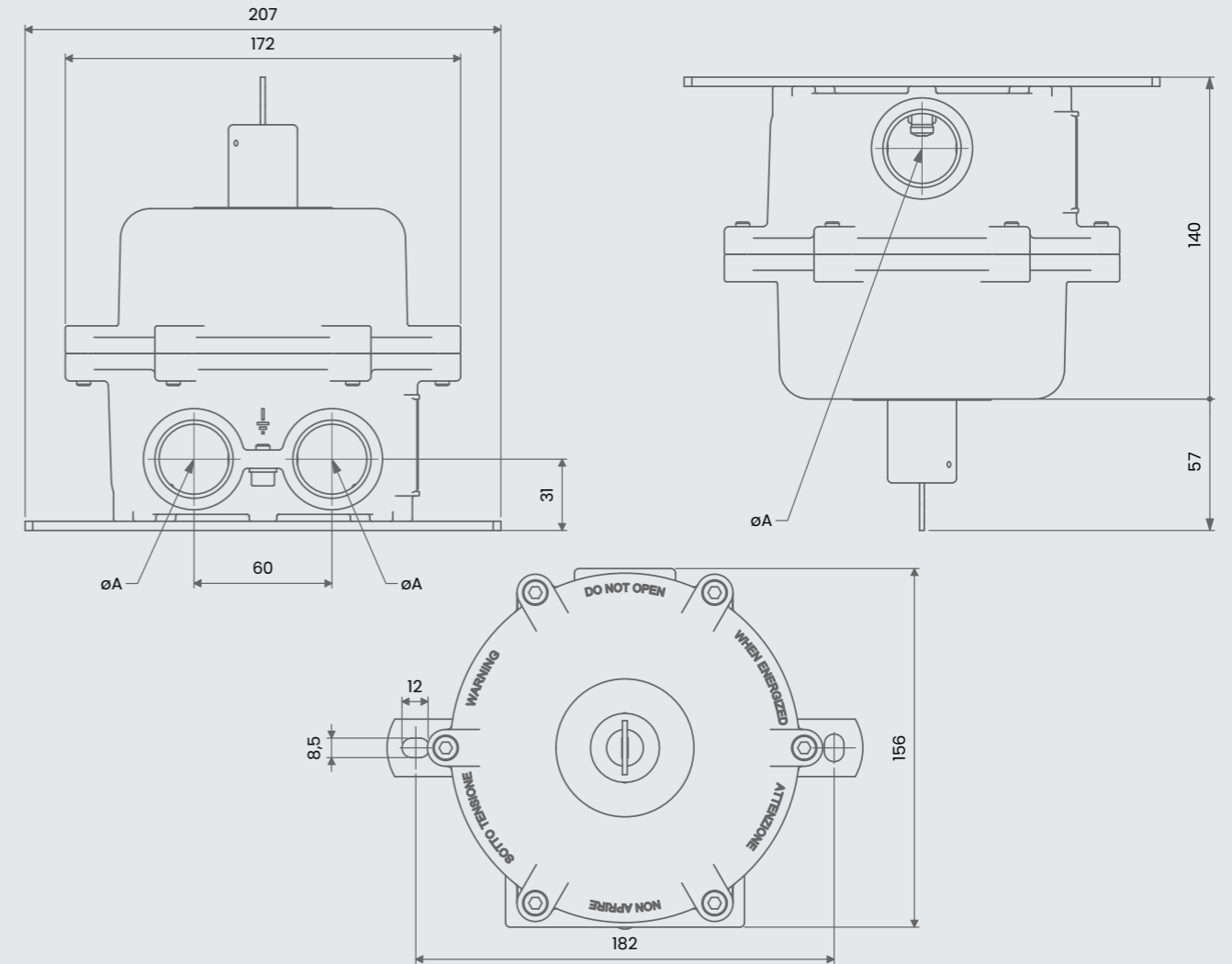
**Max rated voltage:** 690Vac

**AC1 max current value:** 40A

**Cable section:** 1,5 ÷ 16 mmq

**Nominal frequency:** 50/60Hz

**External painting:** no painting



Code	ØA
LCS23AY	3/4" NPT
LCS33AY	1" NPT
LCS253AY	M25x1.5 - 6H
LCS323AY	M32x1.5 - 6H

ATEX & IECEx Equipment Data		
Gas	Group I Zone 1	Ex d I Mb Ex d IIC T6 Gb
Dust	Group II Zone 21	Ex tb IIIC T85°C Db IP66
		Tamb: -20°C ÷ +40°C
ATEX Certificate		IECEx Certificate
BVI 15 ATEX 0073		IECEx EPS 15.0069

ORDER CODING			
Code	Key code		Electrical contact
LCS23AY	A - 3103		
LCS33AY	B - 3108		
LCS253AY		+	See Table 9-3
LCS323AY	C - 3108		

Example: LCS23AY-K1012

DISTRIBUITO DA- DISTRIBUTED BY



**GCE SRL**



MILANO - ITALY

[www.antideflagrante.com](http://www.antideflagrante.com)



- The switch series LCS 3A can also include terminal strips model type as indicated in the table.
- Rotary cam switch up to 40A.
- Different type of switch, on-off, deviator, etc.
- Rotary cam switch with triangle key operator.

**Features**

**Material used:** Stainless steel AISI 316L

**Max Amb. Temperature:** from -50°C up to 80°C

**NPT thread:** 3/4" NPT or 1"

**ISO 262 thread:** M25x1.5 or M32x1.5

**Degree of protection:** IP66

**Max rated voltage:** 690Vac

**AC1 max current value:** 40A

**Cable section:** 1,5 ÷ 16 mmq

**Nominal frequency:** 50/60Hz

**External painting:** no painting

**ATEX & IECEx Equipment Data**

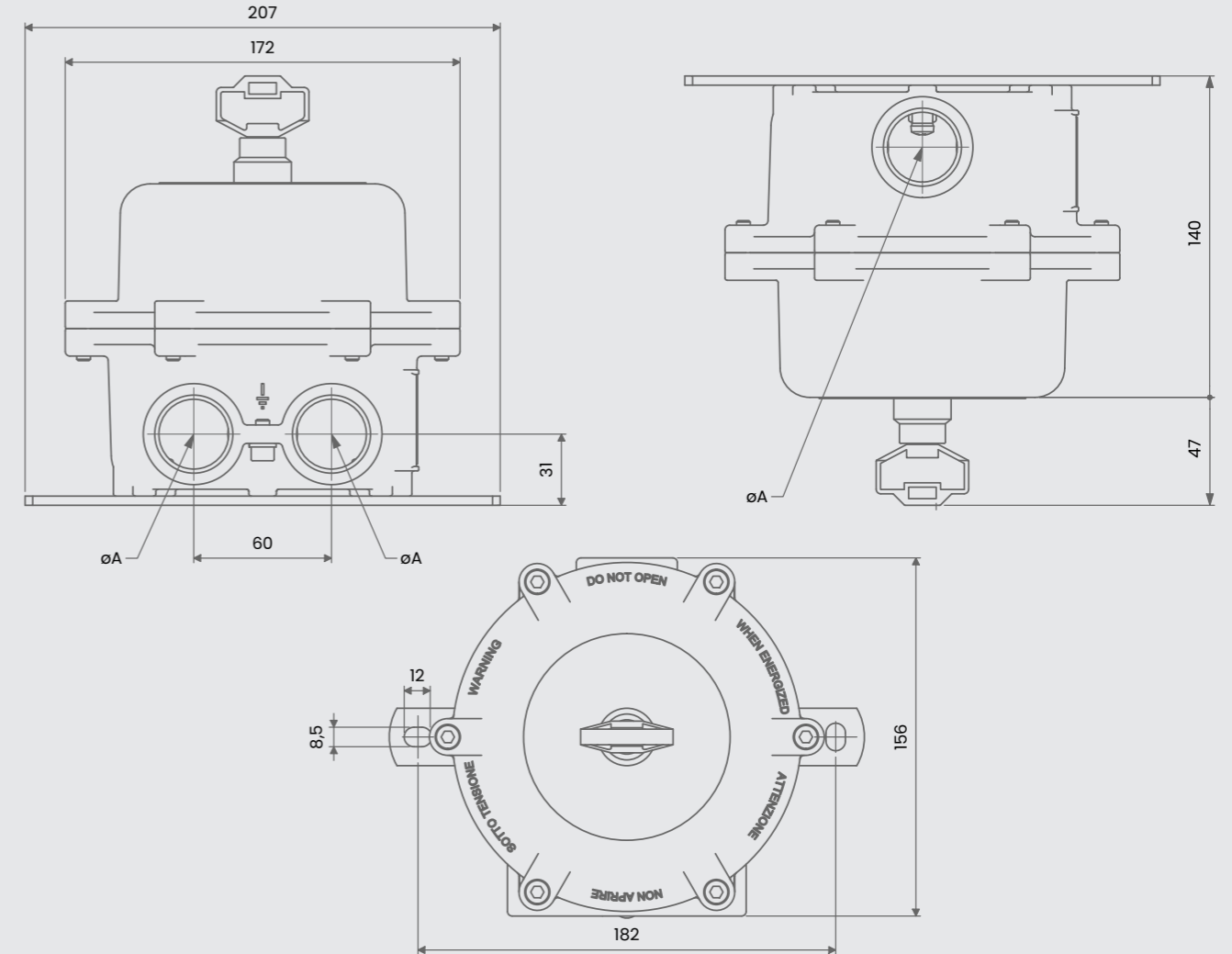
<b>Gas</b>	Group I Zone 1	Ex d I Mb Ex d IIC T6 Gb
<b>Dust</b>	Group II Zone 21	Ex tb IIIC T85°C Db IP66 Tamb: -20°C ÷ +40°C

**ATEX Certificate**

BVI 15 ATEX 0073

**IECEx Certificate**

IECEx EPS 15.0069



Code	ØA
LCS23AH	3/4" NPT
LCS33AH	1" NPT
LCS253AH	M25x1.5 - 6H
LCS323AH	M32x1.5 - 6H

**ORDER CODING**

Code	Electrical Contact
LCS23AH	+ See table 9-3
LCS33AH	
LCS253AH	
LCS323AH	

Example: LCS23AH-K1012



DISTRIBUITO DA- DISTRIBUTED BY

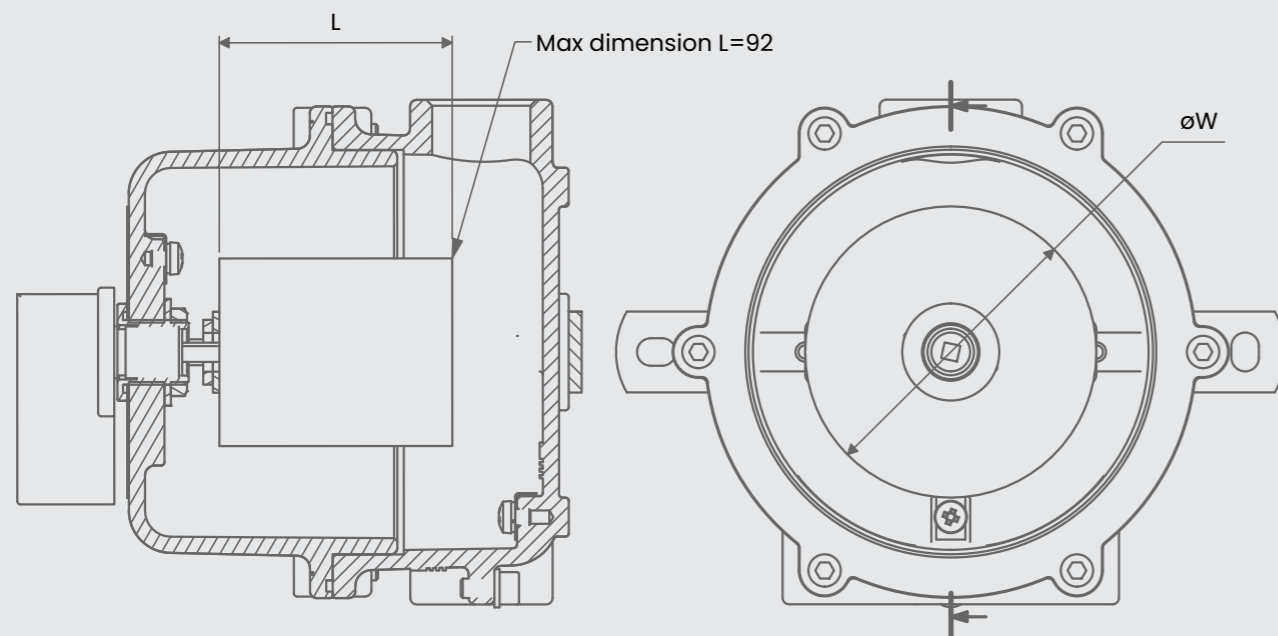
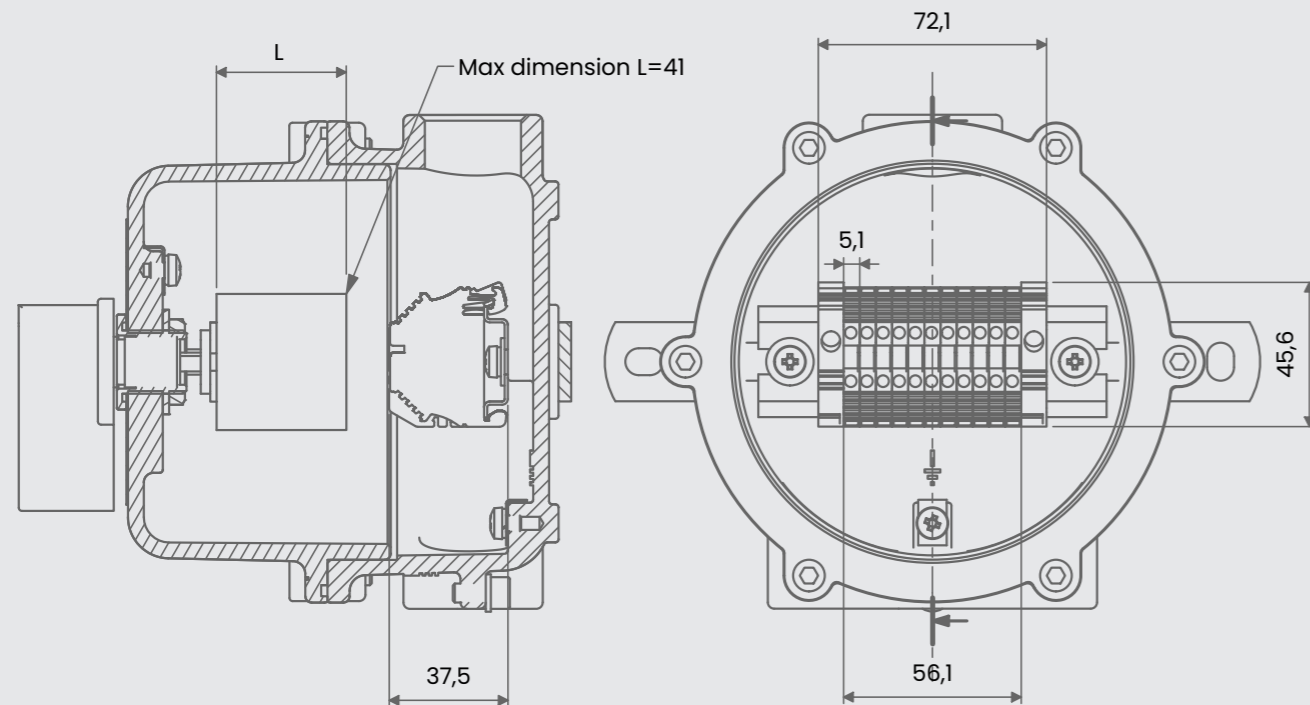


**GCE SRL**



MILANO - ITALY

[www.antideflagranti.com](http://www.antideflagranti.com)



**comm@antideflagranti.com**

ROTATIVE ELECTRICAL CONTACT - Table 9-3

Code	N° Pole	Current Ith [A]	AC3 Rated Power [KW]	Switch Angles	Cross Section [mm²]	øW [mm]	L [mm]	Function
K1001	1	16	1.5	60°	2 x 1.5÷2.5	43	29.5	0-1   ON/OFF
K2001	1	20	2.2	60°	2 x 1.5÷2.5	43	29.5	0-1   ON/OFF
K3001	1	25	3	60°	2 x 1.5÷2.5	43	29.5	0-1   ON/OFF
K4001	1	32	4	60°	2 x 2.5÷4	58	29.5	0-1   ON/OFF
K5001	1	36	5.5	60°	2 x 2.5÷4	58	29.5	0-1   ON/OFF
K6001	1	40	7.5	60°	2 x 2.5÷4	58	29.5	0-1   ON/OFF
K7001	1	40	7.5	60°	2 x 6÷16	58	29.5	0-1   ON/OFF
K1002	2	16	1.5	60°	2 x 1.5÷2.5	43	29.5	0-1   ON/OFF
K2002	2	20	2.2	60°	2 x 1.5÷2.5	43	29.5	0-1   ON/OFF
K3002	2	25	3	60°	2 x 1.5÷2.5	43	29.5	0-1   ON/OFF
K4002	2	32	4	60°	2 x 2.5÷4	58	29.5	0-1   ON/OFF
K5002	2	36	5.5	60°	2 x 2.5÷4	58	29.5	0-1   ON/OFF
K6002	2	40	7.5	60°	2 x 2.5÷4	58	29.5	0-1   ON/OFF
K7002	2	40	7.5	60°	2 x 2.5÷4	58	29.5	0-1   ON/OFF
K1003	3	16	2.2	60°	2 x 1.5÷2.5	43	29.5	0-1   ON/OFF
K2003	3	20	4	60°	2 x 1.5÷2.5	43	29.5	0-1   ON/OFF
K3003	3	25	5.5	60°	2 x 1.5÷2.5	43	29.5	0-1   ON/OFF
K4003	3	32	7.5	60°	2 x 2.5÷4	58	29.5	0-1   ON/OFF
K5003	3	36	11	60°	2 x 2.5÷4	58	29.5	0-1   ON/OFF
K6003	3	40	15	60°	2 x 2.5÷4	58	29.5	0-1   ON/OFF
K7003	3	40	15	60°	2 x 6÷16	58	29.5	0-1   ON/OFF
K1004	4	16	2.2	60°	2 x 1.5÷2.5	43	41	0-1   ON/OFF
K2004	4	20	4	60°	2 x 1.5÷2.5	43	41	0-1   ON/OFF
K3004	4	25	5.5	60°	2 x 1.5÷2.5	43	41	0-1   ON/OFF
K4004	4	32	7.5	60°	2 x 2.5÷4	58	41	0-1   ON/OFF
K5004	4	36	11	60°	2 x 2.5÷4	58	41	0-1   ON/OFF
K6004	4	40	15	60°	2 x 2.5÷4	58	41	0-1   ON/OFF
K7004	4	40	15	60	2 x 6 ÷ 16	58	69	0-1   ON/OFF
K1011	1	16	1.5	60°	2 x 1.5÷2.5	43	29.5	1-0-2 MAINS TRANSFER
K2011	1	20	2.2	60°	2 x 1.5÷2.5	43	29.5	1-0-2 MAINS TRANSFER



ROTATIVE ELECTRICAL CONTACT - Table 9-3

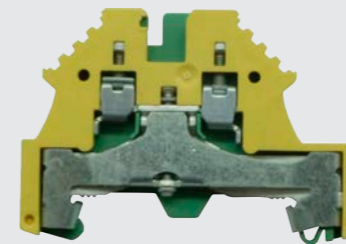
Code	N° Pole	Current Ith [A]	AC3 Rated Power [KW]	Switch Angles	Cross Section [mm²]	øW [mm]	L [mm]	Function
K3011	1	25	3	60°	2 x 1.5÷2.5	43	29.5	1-0-2 MAINS TRANSFER
K1011	1	16	1.5	60°	2 x 1.5÷2.5	43	29.5	1-0-2 MAINS TRANSFER
K2011	1	20	2.2	60°	2 x 1.5÷2.5	43	29.5	1-0-2 MAINS TRANSFER
K3011	1	25	3	60°	2 x 1.5÷2.5	43	29.5	1-0-2 MAINS TRANSFER
K4011	1	32	4	60°	2 x 2.5÷4	58	29.5	1-0-2 MAINS TRANSFER
K5011	1	36	5.5	60°	2 x 2.5÷4	58	29.5	1-0-2 MAINS TRANSFER
K6011	1	40	7.5	60°	2 x 2.5÷4	58	29.5	1-0-2 MAINS TRANSFER
K1012	2	16	1.5	60°	2 x 1.5÷2.5	43	41	1-0-2 MAINS TRANSFER
K2012	2	20	2.2	60°	2 x 1.5÷2.5	43	41	1-0-2 MAINS TRANSFER
K3012	2	25	3	60°	2 x 1.5÷2.5	43	41	1-0-2 MAINS TRANSFER
K4012	2	32	4	60°	2 x 2.5÷4	58	41	1-0-2 MAINS TRANSFER
K5012	2	36	5.5	60°	2 x 2.5÷4	58	41	1-0-2 MAINS TRANSFER
K6012	2	40	7.5	60°	2 x 2.5÷4	58	41	1-0-2 MAINS TRANSFER
K1013	3	16	2.2	60°	2 x 1.5÷2.5	43	41	1-0-2 MAINS TRANSFER
K2013	3	20	4	60°	2 x 1.5÷2.5	43	41	1-0-2 MAINS TRANSFER
K3013	3	25	5.5	60°	2 x 1.5÷2.5	43	41	1-0-2 MAINS TRANSFER
K4013	3	32	7.5	60°	2 x 2.5÷4	58	41	1-0-2 MAINS TRANSFER
K5013	3	36	11	60°	2 x 2.5÷4	58	41	1-0-2 MAINS TRANSFER
K6013	3	40	15	60°	2 x 2.5÷4	58	41	1-0-2 MAINS TRANSFER
K1014	4	16	2.2	60°	2 x 1.5÷2.5	43	53.5	1-0-2 MAINS TRANSFER
K2014	4	20	4	60°	2 x 1.5÷2.5	43	53.5	1-0-2 MAINS TRANSFER
K3014	4	25	5.5	60°	2 x 1.5÷2.5	43	53.5	1-0-2 MAINS TRANSFER
K4014	4	32	7.5	60°	2 x 2.5÷4	58	58	1-0-2 MAINS TRANSFER
K5014	4	36	11	60°	2 x 2.5÷4	58	58	1-0-2 MAINS TRANSFER
K6014	4	40	15	60°	2 x 2.5÷4	58	58	1-0-2 MAINS TRANSFER
K1021	1	16	1.5	60°	2 x 1.5÷2.5	43	29.5	1-2   CHANGE OVER
K2021	1	20	2.2	60°	2 x 1.5÷2.5	43	29.5	1-2   CHANGE OVER
K3021	1	25	3	60°	2 x 1.5÷2.5	43	29.5	1-2   CHANGE OVER
K4021	1	32	4	60°	2 x 2.5÷4	58	29.5	1-2   CHANGE OVER
K5021	1	36	5.5	60°	2 x 2.5÷4	58	29.5	1-2   CHANGE OVER
K6021	1	40	7.5	60°	2 x 2.5÷4	58	29.5	1-2   CHANGE OVER
K1022	2	16	1.5	60°	2 x 1.5÷2.5	43	41	1-2   CHANGE OVER
K2022	2	20	2.2	60°	2 x 1.5÷2.5	42	41	1-2   CHANGE OVER

ROTATIVE ELECTRICAL CONTACT - Table 9-3

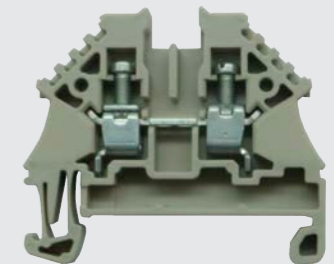
Code	N° Pole	Current Ith [A]	AC3 Rated Power [KW]	Switch Angles	Cross Section [mm²]	øW [mm]	L [mm]	Function
K3022	2	25	3	60°	2 x 1.5÷2.5	43	41	1-2   CHANGE OVER
K4022	2	32	4	60°	2 x 2.5÷4	58	41	1-2   CHANGE OVER
K5022	2	36	5.5	60°	2 x 2.5÷4	58	41	1-2   CHANGE OVER
K6022	2	40	7.5	60°	2 x 2.5÷4	58	41	1-2   CHANGE OVER
K1023	3	16	2.2	60°	2 x 1.5÷2.5	43	41	1-2   CHANGE OVER
K2023	3	20	4	60°	2 x 1.5÷2.5	43	41	1-2   CHANGE OVER
K3023	3	25	5.5	60°	2 x 1.5÷2.5	43	41	1-2   CHANGE OVER
K4023	3	32	7.5	60°	2 x 2.5÷4	58	41	1-2   CHANGE OVER
K5023	3	36	11	60°	2 x 2.5÷4	58	41	1-2   CHANGE OVER
K6023	3	40	15	60°	2 x 2.5÷4	58	41	1-2   CHANGE OVER

The switch series LCS 3A can also include terminal strips model type as indicated in the table.

WPE



WDU



TERMINAL BLOCK suitable for LCS size 3A

Code	Description	Cross section	Vmax	I <sub>max</sub>	d	Max q.ty
WDU2.5N	Feed-through terminal block 2,5 mmq	1,5 ÷ 2,5	230V	10A	5,1	11
WDU4N	Feed-through terminal block 4 mmq	1,5 ÷ 4	230V	10A	6,1	9
WPE2.5N	Modular PE terminal block 2,5 mmq	1,5 ÷ 2,5	230V	NA	5,1	11
WPE4N	Modular PE terminal block 4 mmq	1,5 ÷ 4	230V	NA	6,1	9