

PMX Series - Barrier version

Explosion proof barrier cable gland single compression with male thread suitable for all type of unarmoured cable.

Features

Resinable bushing: with filling compound epoxide resin REPM-1

Material used: nickel plated brass CW614N

Operating temperature: -40°C up to 100°C with EPDM sealing rings

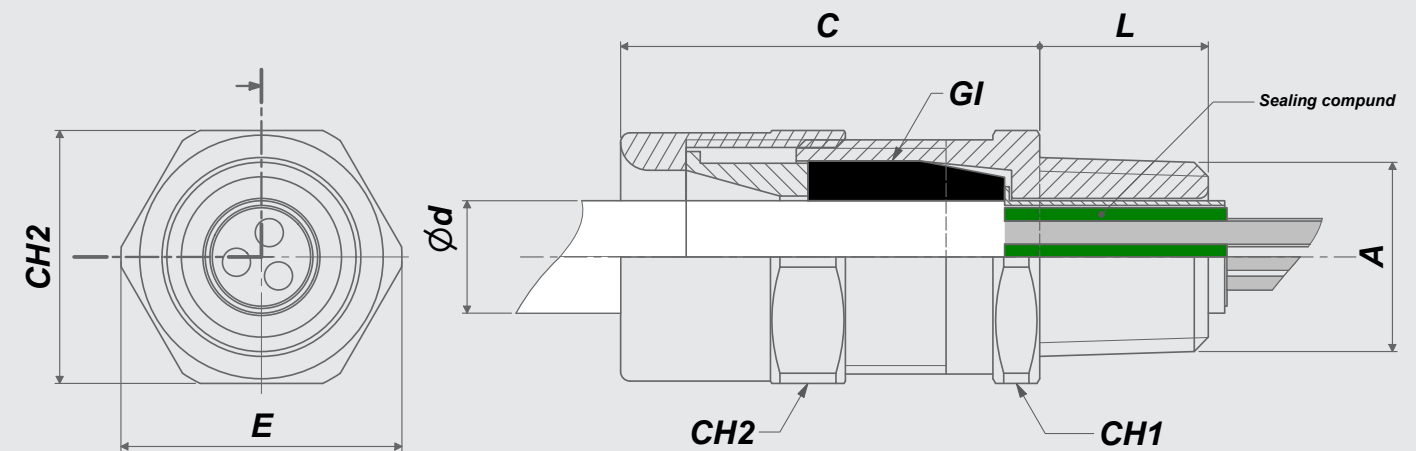
NPT thread: from 3/8" up to 3"

ISO 262 thread: from M16x1.5 up to M90x1.5

Degree of protection: IP66

Unarmoured cable clamping range: from ø 2mm up to ø 74mm

All cable glands are supplied with a full set of sealing rings (GI rings, see table) in various diameter range.



Code	A	L	C	CH1	CH2	E	ød range
NPT							
PMX38B-KIT	3/8" NPT	16	44	22	24	25	2 ÷ 8
PMX1B-KIT	1/2" NPT	18	44	27	27	30	4 ÷ 12
PMX1EB-KIT	1/2" NPT	18	44	30	30	33	5 ÷ 14
PMX2B-KIT	3/4" NPT	18	44	31	33	35	9 ÷ 17
PMX3B-KIT	1" NPT	23	51	41	44	46	14 ÷ 23
PMX4B-KIT	1.1/4" NPT	23	51	46	48	51	20 ÷ 29
PMX5B-KIT	1.1/2" NPT	23	51	56	58	62	20 ÷ 35
PMX6B-KIT	2" NPT	23	51	64	68	76	35 ÷ 45
PMX7B-KIT	2.1/2" NPT	28	59	78	82	90	45 ÷ 56
PMX8B-KIT	3" NPT	28	59	94	100	104	56 ÷ 68
PMX9B-KIT	3" NPT	28	59	102	110	112	62 ÷ 74
ISO							
PMX16B-KIT	M16x1.5	16	44	22	24	25	2 ÷ 8
PMX20B-KIT	M20x1.5	16	44	27	27	30	4 ÷ 12
PMX20EB-KIT	M20x1.5	16	44	30	30	33	5 ÷ 14
PMX25B-KIT	M25x1.5	16	44	31	33	35	9 ÷ 17
PMX32B-KIT	M32x1.5	16	51	41	44	46	14 ÷ 23
PMX40B-KIT	M40x1.5	18	51	46	48	51	20 ÷ 29
PMX50B-KIT	M50x1.5	18	51	56	58	62	20 ÷ 35
PMX63B-KIT	M63x1.5	18	51	70	68	76	35 ÷ 45
PMX75B-KIT	M75x1.5	22	59	82	82	90	45 ÷ 56
PMX85B-KIT	M85x1.5	22	59	94	100	104	56 ÷ 68
PMX90B-KIT	M90x1.5	22	59	102	110	112	62 ÷ 74

ATEX & IECEx Equipment Data		
Gas	Group II Zone 1	II 2G Ex db IIC Gb Ex eb IIC Gb
Dust	Group II Zone 2I	II 2D Ex tb IIIC Db IP66
ATEX Certificate		IECEx Certificate
INERIS 10 ATEX 0029X		IECEx INE 14.0003X

Options available

- Fully stainless steel AISI 316L construction
- Red silicon sealings rings with operating temperature range from -60°C up to 180°C

DISTRIBUITO DA- DISTRIBUTED BY



MILANO - ITALY

www.antideflagranticce.com

The code for Inox AISI 316L version has the letter "S" on final. Es. PMX1S-KIT

PMFX Series - Barrier version

Explosion proof barrier cable gland single compression with rotating female entry to be coupled to a rigid or flexible conduit attachment thread.

Features

Resinable bushing: with filling compound epoxide resin REPM-1

Material used: nickel plated brass CW614N

Operating temperature: -40°C up to 100°C with EPDM sealing rings

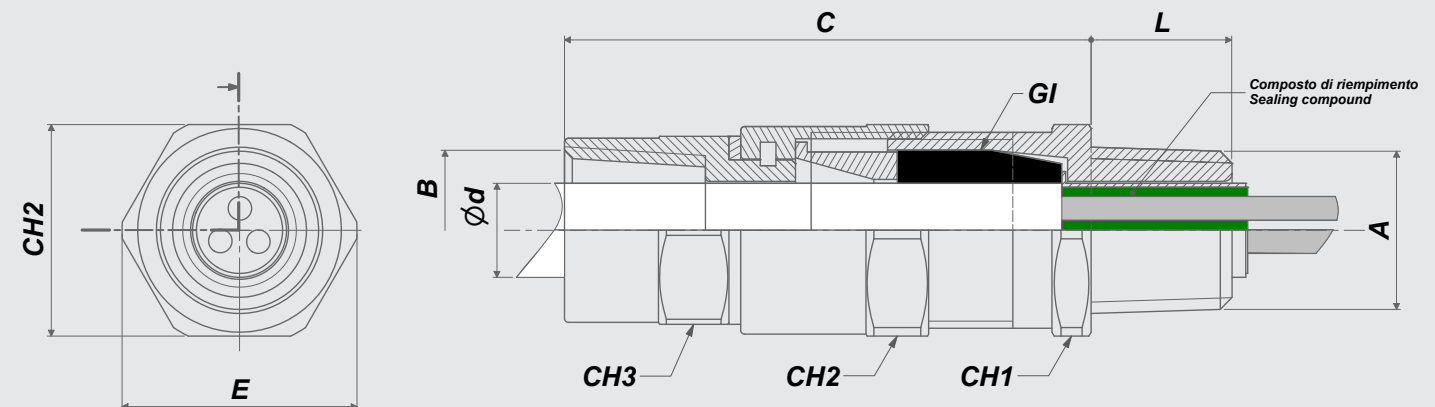
NPT thread: from 3/8" up to 3"

ISO 262 thread: from M16x1.5 up to M90x1.5

Degree of protection: IP66

Unarmoured cable clamping range: from ø 2mm up to ø 74mm

All cable glands are supplied with a full set of sealing rings (GI rings, see table) in various diameter range.



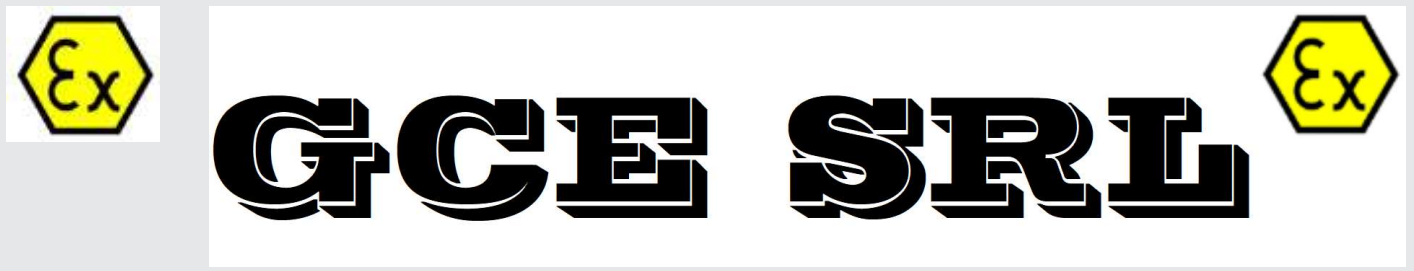
Code	A	B	L	C	CH1	CH2	CH3	E	ød range
NPT									
PMFX38B-KIT	3/8" NPT	3/8" NPT	16	66	22	24	20	25	2 ÷ 8
PMFX1B-KIT	1/2" NPT	1/2" NPT	18	66	27	27	24	30	4 ÷ 12
PMFX1EB-KIT	1/2" NPT	1/2" NPT	18	66	30	30	27	33	5 ÷ 14
PMFX2B-KIT	3/4" NPT	3/4" NPT	18	66	31	33	32	35	9 ÷ 17
PMFX3B-KIT	1" NPT	1" NPT	23	79	41	44	38	46	14 ÷ 23
PMFX4B-KIT	1.1/4" NPT	1.1/4" NPT	23	79	46	48	46	51	20 ÷ 29
PMFX5B-KIT	1.1/2" NPT	1.1/2" NPT	23	79	56	58	56	62	20 ÷ 35
PMFX6B-KIT	2" NPT	2" NPT	23	79	64	68	68	76	35 ÷ 45
PMFX7B-KIT	2.1/2" NPT	2.1/2" NPT	28	87	78	82	82	90	45 ÷ 56
PMFX8B-KIT	3" NPT	3" NPT	28	87	94	100	98	104	56 ÷ 68
ISO									
PMFX16B-KIT	M16x1.5	M16x1.5	16	66	22	24	20	25	2 ÷ 8
PMFX20B-KIT	M20x1.5	M20x1.5	16	66	27	27	24	30	4 ÷ 12
PMFX20EB-KIT	M20x1.5	M20x1.5	16	66	30	30	27	33	5 ÷ 14
PMFX25B-KIT	M25x1.5	M25x1.5	16	66	31	33	32	35	9 ÷ 17
PMFX32B-KIT	M32x1.5	M32x1.5	16	79	41	44	38	46	14 ÷ 23
PMFX40B-KIT	M40x1.5	M40x1.5	18	79	46	48	46	51	20 ÷ 29
PMFX50B-KIT	M50x1.5	M50x1.5	18	79	56	58	56	62	20 ÷ 35
PMFX63B-KIT	M63x1.5	M63x1.5	18	79	70	68	68	76	35 ÷ 45
PMFX75B-KIT	M75x1.5	M75x1.5	22	87	82	82	82	90	45 ÷ 56
PMFX85B-KIT	M85x1.5	M85x1.5	22	87	94	100	93	104	56 ÷ 68

ATEX & IECEx Equipment Data		
Gas	Group II Zone 1	II 2G Ex db IIC Gb Ex eb IIC Gb
Dust	Group II Zone 21	II 2D Ex tb IIIC Db IP66
ATEX Certificate		IECEx Certificate
INERIS 10 ATEX 0029X		IECEx INE 14.0003X

Options available

- Fully stainless steel AISI 316L construction
- Red silicon sealings rings with operating temperature range from -60°C up to 180°C

DISTRIBUITO DA- DISTRIBUTED BY



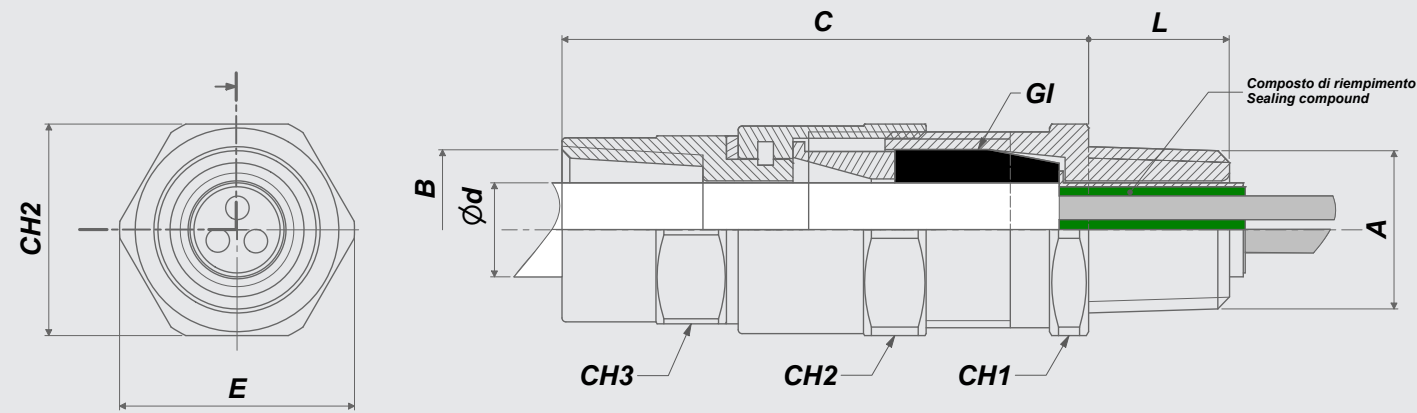
MILANO - ITALY

www.antideflagranti.com

The code for Inox AISI 316L version has the letter "S" on final. Es. PMFX1S-KIT

UNARMoured CABLE

PMFX Series - Mixed configuration



All cable glands are supplied with a full set of sealing rings (GI rings, see table) in various diameter range.

Code	A	B	L	C	CH1	CH2	CH3	E	$\varnothing d$ range
PMFX3816B-KIT	3/8" NPT	M16x1.5	16	66	22	24	20	25	2 ÷ 8
PMFX120B-KIT	1/2" NPT	M20x1.5	18	66	27	27	24	30	4 ÷ 12
PMFX1E20B-KIT	1/2" NPT	M20x1.5	18	66	30	30	27	33	5 ÷ 14
PMFX225B-KIT	3/4" NPT	M25x1.5	18	66	31	33	32	35	9 ÷ 17
PMFX332B-KIT	1" NPT	M32x1.5	23	79	41	44	38	46	14 ÷ 23
PMFX440B-KIT	1.1/4" NPT	M40x1.5	23	79	46	48	46	51	20 ÷ 29
PMFX550B-KIT	1.1/2" NPT	M50x1.5	23	79	56	58	56	62	20 ÷ 35
PMFX663B-KIT	2" NPT	M63x1.5	23	79	64	68	68	76	35 ÷ 45
PMFX775B-KIT	2.1/2" NPT	M75x1.5	28	87	78	82	82	90	45 ÷ 56
PMFX885B-KIT	3" NPT	M85x1.5	28	87	94	100	98	104	56 ÷ 68
PMFX1638B-KIT	M16x1.5	3/8" NPT	16	66	22	24	20	25	2 ÷ 8
PMFX201B-KIT	M20x1.5	1/2" NPT	16	66	27	27	24	30	4 ÷ 12
PMFX20E1B-KIT	M20x1.5	1/2" NPT	16	66	30	30	27	33	5 ÷ 14
PMFX252B-KIT	M25x1.5	3/4" NPT	16	66	31	33	32	35	9 ÷ 17
PMFX323B-KIT	M32x1.5	1" NPT	16	79	41	44	38	46	14 ÷ 23
PMFX404B-KIT	M40x1.5	1.1/4" NPT	18	79	46	48	46	51	20 ÷ 29
PMFX505B-KIT	M50x1.5	1.1/2" NPT	18	79	56	58	56	62	20 ÷ 35
PMFX636B-KIT	M63x1.5	2" NPT	18	79	70	68	68	76	35 ÷ 45
PMFX757B-KIT	M75x1.5	2.1/2" NPT	22	87	82	82	82	90	45 ÷ 56
PMFX858B-KIT	M85x1.5	3" NPT	22	87	94	100	93	104	56 ÷ 68

The code for Inox AISI 316L version has the letter "S" on final. Es. PMFX120S-KIT

PMMX Series - Barrier version

Explosion proof barrier cable gland single compression with rotating male entry to be coupled to a rigid or flexible conduit attachment thread.

Features

Resinable bushing: with filling compound epoxide resin REPM-1

Material used: nickel plated brass CW614N

Operating temperature: -40°C up to 100°C with EPDM sealing rings

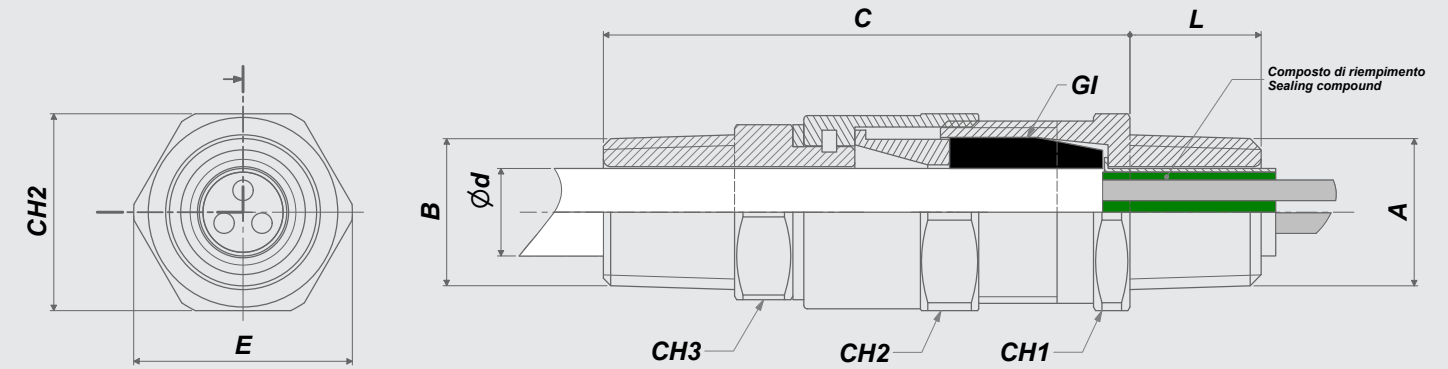
NPT thread: from 3/8" up to 3"

ISO 262 thread: from M16x1.5 up to M90x1.5

Degree of protection: IP66

Unarmoured cable clamping range: from ø 2mm up to ø 74mm

All cable glands are supplied with a full set of sealing rings (GI rings, see table) in various diameter range.



Code	A	B	L	C	CH1	CH2	CH3	E	ød range
NPT									
PMMX38B-KIT	3/8" NPT	3/8" NPT	16	66	22	24	20	25	2 ÷ 8
PMMX1B-KIT	1/2" NPT	1/2" NPT	18	66	27	27	24	30	4 ÷ 12
PMMX1EB-KIT	1/2" NPT	1/2" NPT	18	66	30	30	27	33	5 ÷ 14
PMMX2B-KIT	3/4" NPT	3/4" NPT	18	66	31	33	32	35	9 ÷ 17
PMMX3B-KIT	1" NPT	1" NPT	23	79	41	44	38	46	14 ÷ 23
PMMX4B-KIT	1.1/4" NPT	1.1/4" NPT	23	79	46	48	46	51	20 ÷ 29
PMMX5B-KIT	1.1/2" NPT	1.1/2" NPT	23	79	56	58	56	62	20 ÷ 35
PMMX6B-KIT	2" NPT	2" NPT	23	79	64	68	68	76	35 ÷ 45
PMMX7B-KIT	2.1/2" NPT	2.1/2" NPT	28	87	78	82	82	90	45 ÷ 56
PMMX8B-KIT	3" NPT	3" NPT	28	87	94	100	98	104	56 ÷ 68
ISO									
PMMX16B-KIT	M16x1.5	M16x1.5	16	66	22	24	20	25	2 ÷ 8
PMMX20B-KIT	M20x1.5	M20x1.5	16	66	27	27	24	30	4 ÷ 12
PMMX20EB-KIT	M20x1.5	M20x1.5	16	66	30	30	27	33	5 ÷ 14
PMMX25B-KIT	M25x1.5	M25x1.5	16	66	31	33	32	35	9 ÷ 17
PMMX32B-KIT	M32x1.5	M32x1.5	16	79	41	44	38	46	14 ÷ 23
PMMX40B-KIT	M40x1.5	M40x1.5	18	79	46	48	46	51	20 ÷ 29
PMMX50B-KIT	M50x1.5	M50x1.5	18	79	56	58	56	62	20 ÷ 35
PMMX63B-KIT	M63x1.5	M63x1.5	18	79	70	68	68	76	35 ÷ 45
PMMX75B-KIT	M75x1.5	M75x1.5	22	87	82	82	82	90	45 ÷ 56
PMMX85B-KIT	M85x1.5	M85x1.5	22	87	94	100	93	104	56 ÷ 68

ATEX & IECEx Equipment Data		
Gas	Group II Zone 1	II 2G Ex db IIC Gb Ex eb IIC Gb
Dust	Group II Zone 21	II 2D Ex tb IIIC Db IP66
ATEX Certificate		IECEx Certificate
INERIS 10 ATEX 0029X		IECEx INE 14.0003X

Options available

- Fully stainless steel AISI 316L construction
- Red silicon sealings rings with operating temperature range from -60°C up to 180°C

DISTRIBUITO DA- DISTRIBUTED BY

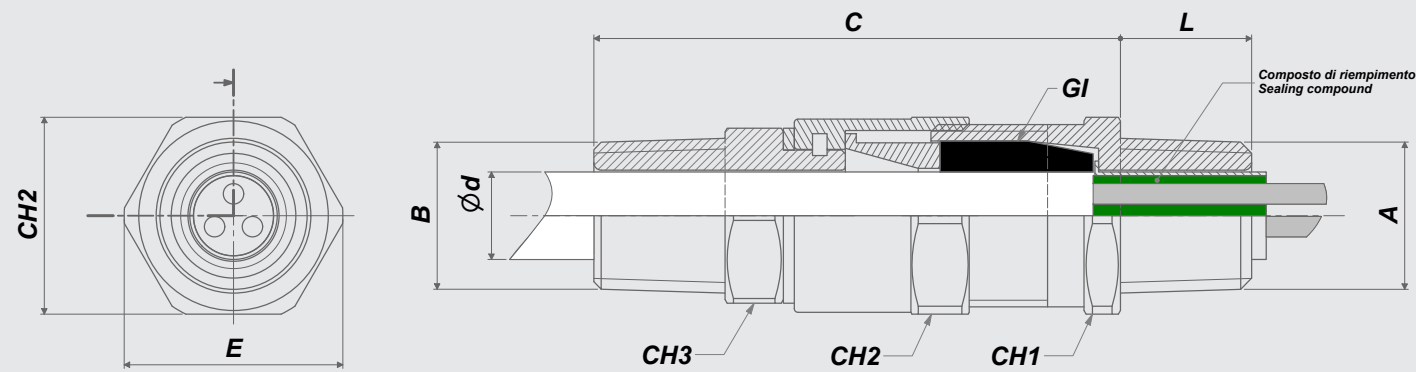


MILANO - ITALY

www.antideflagranti.com

The code for Inox AISI 316L version has the letter "S" on final. Es. PMMX1S-KIT

PMMX Series - Mixed configuration



All cable glands are supplied with a full set of sealing rings (GI rings, see table) in various diameter range.

Code	A	B	L	C	CH1	CH2	CH3	E	ød range
PMMX3816B-KIT	3/8" NPT	M16x1.5	16	66	22	24	20	25	2 ÷ 8
PMMX120B-KIT	1/2" NPT	M20x1.5	18	66	27	27	24	30	4 ÷ 12
PMMX1E20B-KIT	1/2" NPT	M20x1.5	18	66	30	30	27	33	5 ÷ 14
PMMX225B-KIT	3/4" NPT	M25x1.5	18	66	31	33	32	35	9 ÷ 17
PMMX332B-KIT	1" NPT	M32x1.5	23	79	41	44	38	46	14 ÷ 23
PMMX440B-KIT	1.1/4" NPT	M40x1.5	23	79	46	48	46	51	20 ÷ 29
PMMX550B-KIT	1.1/2" NPT	M50x1.5	23	79	56	58	56	62	20 ÷ 35
PMMX663B-KIT	2" NPT	M63x1.5	23	79	64	68	68	76	35 ÷ 45
PMMX775B-KIT	2.1/2" NPT	M75x1.5	28	87	78	82	82	90	45 ÷ 56
PMMX885B-KIT	3" NPT	M85x1.5	28	87	94	100	98	104	56 ÷ 68
PMMX1638B-KIT	M16x1.5	3/8" NPT	16	66	22	24	20	25	2 ÷ 8
PMMX201B-KIT	M20x1.5	1/2" NPT	16	66	27	27	24	30	4 ÷ 12
PMMX20E1B-KIT	M20x1.5	1/2" NPT	16	66	30	30	27	33	5 ÷ 14
PMMX252B-KIT	M25x1.5	3/4" NPT	16	66	31	33	32	35	9 ÷ 17
PMMX323B-KIT	M32x1.5	1" NPT	16	79	41	44	38	46	14 ÷ 23
PMMX404B-KIT	M40x1.5	1.1/4" NPT	18	79	46	48	46	51	20 ÷ 29
PMMX505B-KIT	M50x1.5	1.1/2" NPT	18	79	56	58	56	62	20 ÷ 35
PMMX636B-KIT	M63x1.5	2" NPT	18	79	70	68	68	76	35 ÷ 45
PMMX757B-KIT	M75x1.5	2.1/2" NPT	22	87	82	82	82	90	45 ÷ 56
PMMX858B-KIT	M85x1.5	3" NPT	22	87	94	100	93	104	56 ÷ 68

The code for Inox AISI 316L version has the letter "S" on final. Es. PMMX201S-KIT

DISTRIBUITO DA- DISTRIBUTED BY



GCE SRL



MILANO - ITALY

www.antideflagranti.com

PMSX Series

Explosion proof cable gland single compression with fast clamping for flexible conduit.

Features

Resinable bushing: with filling compound epoxide resin REPM-1

Material used: nickel plated brass CW614N

Operating temperature: -40°C up to 100°C with EPDM sealing rings

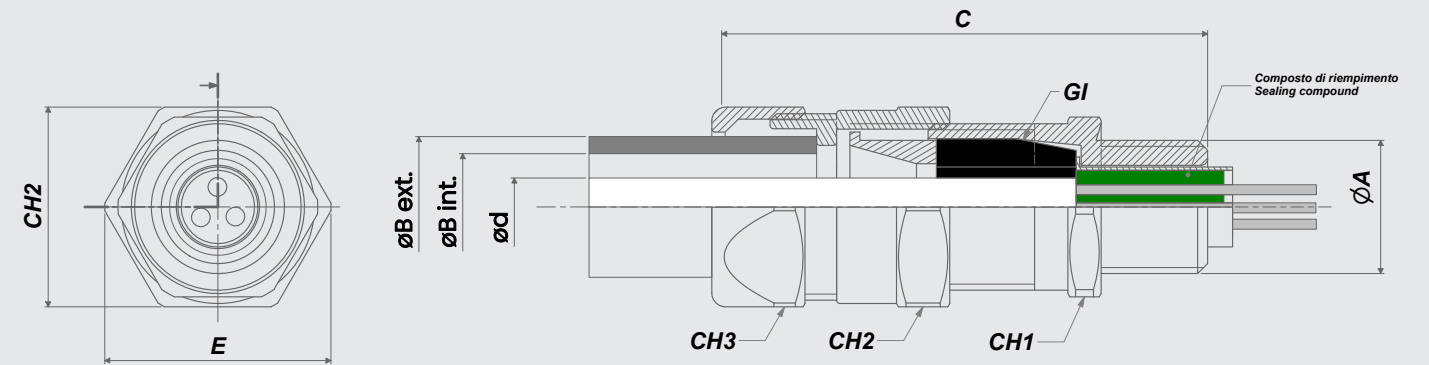
NPT thread: from 3/8" up to 3"

ISO 262 thread: from M16x1.5 up to M90x1.5

Degree of protection: IP66

Unarmoured cable clamping range: from ø 2mm up to ø 74mm

All cable glands are supplied with a full set of sealing rings (GI rings, see table) in various diameter range.



Code	A	L	C	CH1	CH2	E	ød range	øB Int.	øB Ext.	Conduit Code
NPT										
PMSX38B-KIT	3/8" NPT	16	58	22	24	25	2 ÷ 8	10	10,5	DMC210
PMSX1EB-KIT	1/2" NPT	18	58	27	27	30	4 ÷ 12	15,5	15,5	DMC216
PMSX1B-KIT	1/2" NPT	18	58	30	30	33	5 ÷ 14	15,5	21,5	DMC216
PMSX2B-KIT	3/4" NPT	18	58	31	33	35	9 ÷ 17	20,5	27	DMC221
PMSX3B-KIT	1" NPT	23	67	41	44	46	14 ÷ 23	26,5	33	DMC227
PMSX4B-KIT	1.1/4" NPT	23	67	46	48	51	20 ÷ 29	34,5	43	DMC235
PMSX5B-KIT	1.1/2" NPT	23	67	56	58	62	20 ÷ 35	39,5	48	DMC240
PMSX6B-KIT	2" NPT	23	67	64	68	76	35 ÷ 45	50,5	60	DMC250
PMSX7B-KIT	2.1/2" NPT	28	76	78	82	90	45 ÷ 56	63	73	DMC263
PMSX8B-KIT	3" NPT	28	76	94	100	104	56 ÷ 68	77	88	DMC277
PMSX9B-KIT	3" NPT	28	76	102	110	112	62 ÷ 74	77	88	DMC277
ISO										
PMSX16B-KIT	M16x1.5	16	58	22	24	25	2 ÷ 8	10	10,5	DMC210
PMSX20B-KIT	M20x1.5	16	58	27	27	30	4 ÷ 12	15,5	15,5	DMC216
PMSX20EB-KIT	M20x1.5	16	58	30	30	33	5 ÷ 14	15,5	21,5	DMC216
PMSX25B-KIT	M25x1.5	16	58	31	33	35	9 ÷ 17	20,5	27	DMC221
PMSX32B-KIT	M32x1.5	16	67	41	44	46	14 ÷ 23	26,5	33	DMC227
PMSX40B-KIT	M40x1.5	18	67	46	48	51	20 ÷ 29	34,5	43	DMC235
PMSX50B-KIT	M50x1.5	18	67	56	58	62	20 ÷ 35	39,5	48	DMC240
PMSX63B-KIT	M63x1.5	18	67	70	68	76	35 ÷ 45	50,5	60	DMC250
PMSX75B-KIT	M75x1.5	22	76	82	82	90	45 ÷ 56	63	73	DMC263
PMSX85B-KIT	M85x1.5	22	76	94	100	104	56 ÷ 68	77	88	DMC277
PMSX90B-KIT	M90x1.5	22	76	102	110	112	62 ÷ 74	77	88	DMC277

ATEX & IECEx Equipment Data		
Gas	Group II Zone 1	II 2G Ex db IIC Gb Ex eb IIC Gb
Dust	Group II Zone 2I	II 2D Ex tb IIIC Db IP66
ATEX Certificate		IECEx Certificate
INERIS 10 ATEX 0029X		IECEx INE 14.0003X

Options available

- Fully stainless steel AISI 316L construction
- Red silicon sealings rings with operating temperature range from -60°C up to 180°C

DISTRIBUITO DA- DISTRIBUTED BY



MILANO - ITALY

www.antideflagranti.com

The code for Inox AISI 316L version has the letter "S" on final. Es. PMSX1S-KIT

EXTERNAL SHROUDS SERIES SPM

The shrouds for cableglands are made in black PVC and they are used to prevent deposits of dust or other substances on the surface of the cablegland and cable entry.

Code	NPT Dimensions	ISO Dimensions
SPM16	3/8"	M16x1.5
SPM1	1/2"	M20x1.5
SPM2	3/4"	M25x1.5
SPM3	1"	M32x1.5
SPM4	1.1/4"	M40x1.5
SPM5	1.1/2"	M50x1.5
SPM6	2"	M63x1.5
SPM7	2.1/2"	M75x1.5
SPM8	3"	M85x1.5
SPM9	3"	M90x1.5



EXTERNAL BLUE SHROUDS SERIES SPMBU

The shrouds for cableglands are made in blue PVC and they are used to prevent deposits of dust or other substances on the surface of the cablegland and cable entry.

Code	NPT Dimensions	ISO Dimensions
SPM16BU	3/8"	M16x1.5
SPM1BU	1/2"	M20x1.5
SPM2BU	3/4"	M25x1.5
SPM3BU	1"	M32x1.5
SPM4BU	1.1/4"	M40x1.5
SPM5BU	1.1/2"	M50x1.5
SPM6BU	2"	M63x1.5
SPM7BU	2.1/2"	M75x1.5
SPM8BU	3"	M85x1.5
SPM9BU	3"	M90x1.5



LOCKNUT SERIES DL

The locknuts are used to hold the cable gland, adaptors or plugs up to the walls of the equipment. Ensure the restraining to the entry of enclosure.

Code	ISO Dimensions	Code	NPT Dimensions
DL16B	M16x1.5	DL38B	3/8"
DL20B	M20x1.5	DL1B	1/2"
DL25B	M25x1.5	DL2B	3/4"
DL32B	M32x1.5	DL3B	1"
DL40B	M40x1.5	DL4B	1.1/4"
DL50B	M50x1.5	DL5B	1.1/2"
DL63B	M63x1.5	DL6B	2"
DL75B	M75x1.5	DL7B	2.1/2"
DL85B	M85x1.5	DL8B	3"
DL90B	M90x1.5	DL9B	3"



Also available in AISI 316L. Code with "s" on final. Example DL20S

EARTHING TAG SERIES ET

The earthing tags are installed between the cable gland and the electrical equipment

Code	ISO Dimensions	Code	NPT Dimensions
ET16B	M16x1.5	ET38B	3/8"
ET20B	M20x1.5	ET1B	1/2"
ET25B	M25x1.5	ET2B	3/4"
ET32B	M32x1.5	ET3B	1"
ET40B	M40x1.5	ET4B	1.1/4"
ET50B	M50x1.5	ET5B	1.1/2"
ET63B	M63x1.5	ET6B	2"
ET75B	M75x1.5	ET7B	2.1/2"
ET85B	M85x1.5	ET8B	3"
ET90B	M90x1.5	ET9B	3"



Also available in AISI 316L. Code with "s" on final. Example ET20S

DISTRIBUITO DA- DISTRIBUTED BY



GCE SRL



MILANO - ITALY

www.antideflagranti.com

LOCKNUT SERIES DLC

The locknuts are used to hold the cable gland, adaptors or plugs up to the walls of the equipment. Ensure the restraining to the entry of enclosure.

Code	ISO Dimensions	Code	NPT Dimensions
DLC16B	M16x1.5	DLC38B	3/8"
DLC20B	M20x1.5	DLC1B	1/2"
DLC25B	M25x1.5	DLC2B	3/4"
DLC32B	M32x1.5	DLC3B	1"
DLC40B	M40x1.5	DLC4B	1.1/4"
DLC50B	M50x1.5	DLC5B	1.1/2"
DLC63B	M63x1.5	DLC6B	2"
DLC75B	M75x1.5	DLC7B	2.1/2"
DLC85B	M85x1.5	DLC8B	3"
DLC90B	M90x1.5	DLC9B	3"



Also available in AISI 316L. Code with "s" on final. Example DLC20S

GASKET SERIES SW

Used to obtain the required grade of protection of cable glands. Made in white teflon.

Code	ISO Dimensions	Code	NPT Dimensions
SW16T	M16x1.5	SW38T	3/8"
SW20T	M20x1.5	SW1T	1/2"
SW25T	M25x1.5	SW2T	3/4"
SW32T	M32x1.5	SW3T	1"
SW40T	M40x1.5	SW4T	1.1/4"
SW50T	M50x1.5	SW5T	1.1/2"
SW63T	M63x1.5	SW6T	2"
SW75T	M75x1.5	SW7T	2.1/2"
SW85T	M85x1.5	SW8T	3"
SW90T	M90x1.5	SW9T	3"



SERRATED WASHER SERIES SR

The serrated washer are used together with lock nuts to prevent the loose of the attachment. Made in AISI 316L

Code	ISO Dimensions	Code	NPT Dimensions
SR16B	M16x1.5	SR38B	3/8"
SR20B	M20x1.5	SR1B	1/2"
SR25B	M25x1.5	SR2B	3/4"
SR32B	M32x1.5	SR3B	1"
SR40B	M40x1.5	SR4B	1.1/4"
SR50B	M50x1.5	SR5B	1.1/2"
SR63B	M63x1.5	SR6B	2"
SR75B	M75x1.5	SR7B	2.1/2"
SR85B	M85x1.5	SR8B	3"
SR90B	M90x1.5	SR9B	3"



DISTRIBUITO DA- DISTRIBUTED BY



GCE SRL



MILANO - ITALY

www.antideflagranti.com

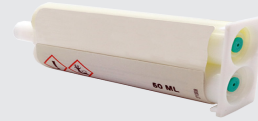
FILLING COMPOUND – BICOMPONENT RESIN REPM-1

Epoxide resin with an excellent resistance grade to chemicals, heat and water. It is available in 50 ml cartridges.

It is used as sealant into the cable glands bushing series PMX, PMAX, PMMX and PMFX to prevent the propagation of the flames.

Operative temperature: -20°C ÷ +80°C

Cable gland dimension	N° of cable glands filled with one cartridge*
M16x1.5 - 3/8"	25
M20x1.5 - 1/2"	20
M25x1.5 - 3/4"	10
M32x1.5 - 1"	5
M40x1.5 - 1.1/4"	3
M50x1.5 - 1.1/2"	2
M63x1.5 - 2"	1
M70x1.5 - 2.1/2"	1
M85x1.5 - 3"	0.5
M90x1.5 - 3"	0.5



*The value is purely indicative. The real number depends on the type and the dimension of the cable used

MANUAL APPLICATOR FOR 50ML CARTRIDGE SERIES APM50

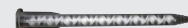
Using with REPM-1 50ml cartridges.
Lightweight, easy to use applicator and easy to load.
Usable with one hand.
Code: APM50



DISTRIBUITO DA- DISTRIBUTED BY

**REPLACEMENT NOZZLE FOR 50ML CARTRIDGES BC-REPM-1**

Replacement nozzle for 50ml cartridges.
Code: BC-REPM-1



MILANO - ITALY

www.antideflagranti.com