

NAVFS series cable glands, with a female threaded outlet fitting, are suitable for use in areas with the risk of explosion, allowing the direct insertion of non-armoured cables in explosion proof enclosures, light fixtures, outlets, plugs, etc. The built-in swivel joint allows an easy and quick closure of the thread between the pipe or the hose and the cable gland and, therefore, a simple installation of the assembly. They are supplied with a sealing ring which is stretched over the cable at the inlet, ensuring 'Ex d' execution and an IP66/68 protection rating. The result is a cable gland which provides maximum performance, long-term reliability and safety, is compatible with a wide range of the main, commercially available cables, and complies with the most recent applicable regulations.



comm@antideflagranticge.com



Interactive Point

Classification: 2014/34/EU	Group II	Category 2GD/3G
Installation: EN 60079.14	zone 1 - zone 2 (Gas)	zone 21 - zone 22 (Dust)
Marking:	CE 0722 Ex II 2 GD - Ex db IIC Gb - Ex eb IIC Gb II 2 D - Ex tb IIIC Db II 3G Ex nR IIC Gc - IP66/68	
Certification:	ATEX (category 2):	IMQ 17 ATEX 016X
	ATEX (category 3):	IMQ 17 ATEX 017X
Standards:	IEC Ex	IECEX IMQ 17.0010X <small>IEC Ex certification data contact comm@antideflagranticge.com</small>
	CENELEC EN 60079-0: 2018, EN 60079-1: 2014, EN 60079-7: 2015, EN 60079-15: 2019, EN 60079-31: 2014 and EUROPEAN DIRECTIVE 2014/34/EU IEC60079-0: 2017, IEC60079-1: 2014, IEC60079-7: 2017, IEC60079-15: 2017, IEC60079-31: 2013 RoHS Directive 2002/95/EC	
Operating temperature:	-60 °C +130 °C	
Protection rating:	IP66/68 (30 meters - 12 hours)	
Design	BS 6121: Part 1:1989, IEC 62444, EN 62444	

Certificates are available on www.antideflagranticge.com

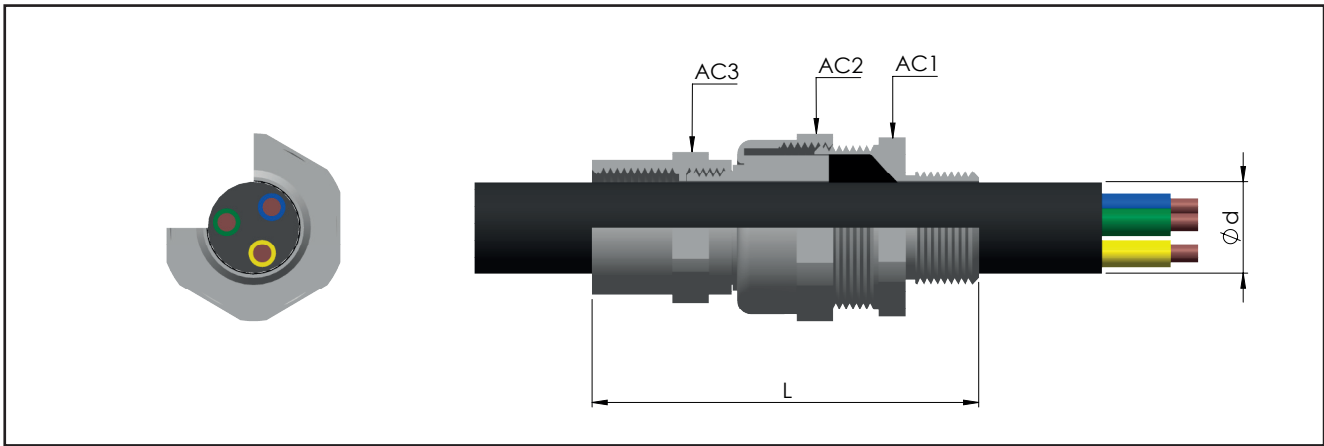
ACCESSORIES UPON REQUEST				
Locknuts	ISO thread	Nickel-plated brass	Galvanized steel	Stainless steel
	M12x1,5	DL02IB	DL02IG	DL02IS
	M16x1,5	DL01IB	DL01IG	DL01IS
	M20x1,5	DL1IB	DL1IG	DL1IS
	M25x1,5	DL2IB	DL2IG	DL2IS
	M32x1,5	DL3IB	DL3IG	DL3IS
	M40x1,5	DL4IB	DL4IG	DL4IS
	M50x1,5	DL5IB	DL5IG	DL5IS
	M63x1,5	DL6IB	DL6IG	DL6IS
	M75x1,5	DL7IB	DL7IG	DL7IS
	M90x1,5	DL8IB	DL8IG	DL8IS
	M100x1,5	DL10IB	DL10IG	DL10IS
	M115x1,5	DL115IB	DL115IG	DL115IS

Nickel-plated brass earthing rings	ISO thread	Nickel-plated brass	Stainless steel	Serrated stainless steel lock washers	Code	Adapters and reducers of the RE... series
	M12x1,5	A0231IB	A0231IS		RD101S/A4 RD11S/A4 RD12IS/A4 RD13IS/A4 RD14IS/A4 RD15IS/A4 RD16IS/A4	
	M16x1,5	A0131IB	A0131IS			
	M20x1,5	A131IB	A131IS			
	M25x1,5	A231IB	A231IS			
	M32x1,5	A331IB	A331IS			
	M40x1,5	A431IB	A431IS			
	M50x1,5	A531IB	A531IS			
	M63x1,5	A631IB	A631IS			
	M75x1,5	A731IB	A731IS			
	M90x1,5	A831IB	A831IS			
	M100x1,5	A1031IB	A1031IS			
	M115x1,5	A1031B	A1031S			

* For different threads, contact the sales department. comm@antideflagranticge.com



comm@antideflagranticge.com

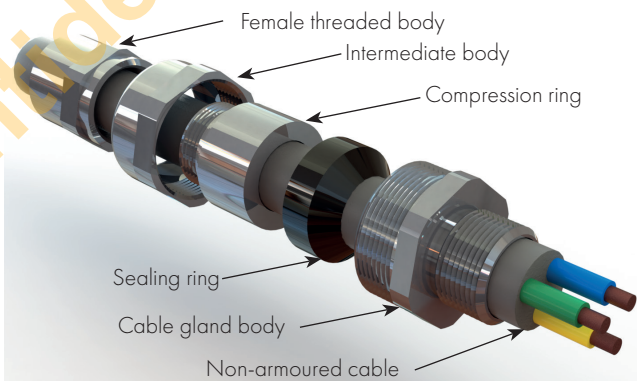


CABLE GLAND SELECTION TABLE

Code Nickel-plated brass	Thread	Code Nickel-plated brass	Thread	Dimensions in mm				Range	Weight
				AC1	AC2	AC3	L	Ød min-max Outer sheath of the cable	Kg
NAVFS02NB	1/4" NPT	NAVFS12IB	M12x1,5	18	18	20	63.5	3.0 - 6.0	0,120
NAVFS01NB	3/8" NPT	NAVFS16IB	M16x1,5	24	24	24	65.5	3.5 - 8.6	0,171
NAVFS1SNB	1/2" NPT	NAVFS20SIB	M20x1,5	24	26	24	65.5	6.3 - 11.6	0,186
NAVFS1NB	1/2" NPT	NAVFS20IB	M20x1,5	30	32	24	68.5	6.5 - 14	0,239
NAVFS2NB	3/4" NPT	NAVFS25IB	M25x1,5	36	38	30	68.5	11 - 20	0,314
NAVFS3NB	1" NPT	NAVFS32IB	M32x1,5	45	47	38	71.5	17 - 27	0,450
NAVFS4NB	1 1/4" NPT	NAVFS40IB	M40x1,5	50	52	47	71.5	22 - 32	0,605
NAVFS5SNB	1 1/2" NPT	NAVFS50SIB	M50x1,5	55	57	57	74.5	29.5 - 38	0,795
NAVFS5NB	2" NPT	NAVFS50IB	M50x1,5	60	62	57	76.5	35.5 - 44	0,723
NAVFS6SNB	2" NPT	NAVFS63SIB	M63x1,5	68	77	70	87.5	40 - 50	1,447
NAVFS6NB	2 1/2" NPT	NAVFS63IB	M63x1,5	73	77	73	88	47 - 56	1,368
NAVFS7SNB	2 1/2" NPT	NAVFS75SIB	M75x1,5	80	82	82	91	53 - 62	1,512
NAVFS7NB	3" NPT	NAVFS75IB	M75x1,5	85	90	82	92	59 - 68	1,327
NAVFS8NB	3" NPT	NAVFS90IB	M90x1,5	100	110	100	101	66 - 79	2,356
NAVFS9NB	3 1/2" NPT	NAVFS100IB	M100x1,5	115	120	110	105.5	76 - 91	3,008
NAVFS10NB	4" NPT	NAVFS115IB	M115x1,5	120	130	130	105.5	86 - 98	3,704

* Dimensions with threaded: NPT / ISO

Sample order code



TECHNICAL NOTES:

- Silicone o-rings are supplied for cylindrical threads (ISO metric) for the pre-assembled IP seal on the cable gland
- The ISO7/1 thread version is available upon request (sample code NAVFS1B)
- Also available in stainless steel AISI 316 (sample code NAVFS1S)
- Other materials on request
- For "Ex i" intrinsic safety version, RAL 5015 blue nut (sample code NAVFS1IA)



NAVNS series cable glands, with a male threaded outlet fitting, are suitable for use in areas with the risk of explosion, allowing the direct insertion of non-armoured cables in explosion proof enclosures, light fixtures, outlets, plugs, etc. The built-in swivel joint allows an easy and quick closure of the thread between the pipe or the hose and the cable gland and, therefore, a simple installation of the assembly. They are supplied with a sealing ring which is stretched over the cable at the inlet, ensuring 'Ex d' execution and an IP66/68 protection rating. The result is a cable gland which provides maximum performance, long-term reliability and safety, is compatible with a wide range of the main, commercially available cables, and complies with the most recent applicable regulations.



comm@antideflagranti.com



Interactive Point

Classification: 2014/34/EU	Group II	Category 2GD/3G
Installation: EN 60079-14	zone 1 - zone 2 (Gas)	zone 21 - zone 22 (Dust)
Marking:	CE 0722 Ex II 2 GD - Ex db IIC Gb - Ex eb IIC Gb II 2 D - Ex tb IIIC Db II 3G Ex nR IIC Gc - IP66/68	
Certification:	ATEX (category 2):	IMQ 17 ATEX 016X
	ATEX (category 3):	IMQ 17 ATEX 017X
Standards:	IEC Ex	IECEx IMQ 17.0010X
	IEC Ex certification data contact comm@antideflagranti.com	
Operating temperature:	-60 °C +130 °C	
Protection rating:	IP66/68 (30 meters - 12 hours)	
Design	BS 6121: Part 1:1989, IEC 62444, EN 62444	

Certificates are available on www.antideflagranti.com

comm@antideflagranti.com

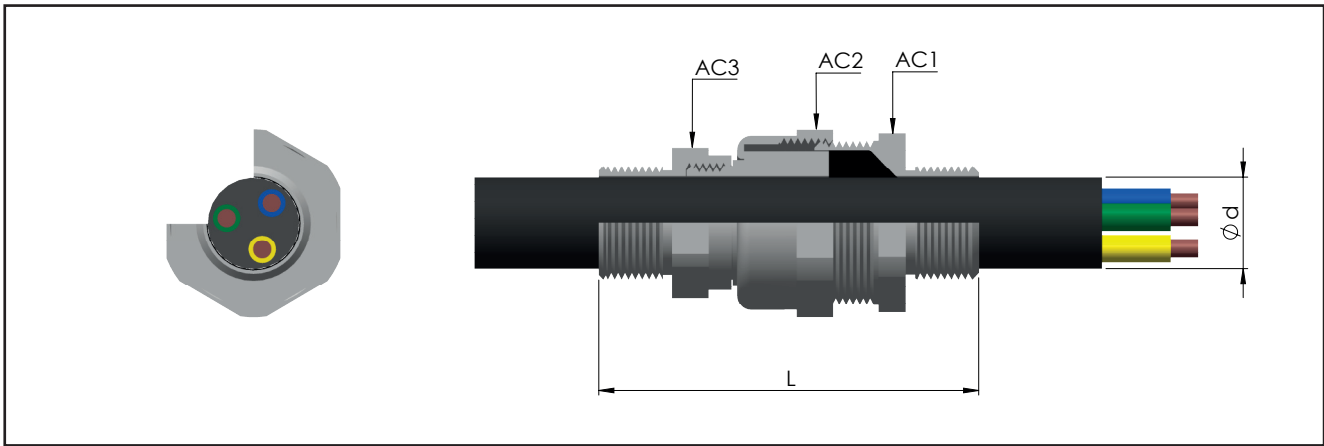
ACCESSORIES UPON REQUEST				
Locknuts	ISO thread	Nickel-plated brass	Galvanized steel	Stainless steel
	M12x1,5	DL02IB	DL02IG	DL02IS
	M16x1,5	DL01IB	DL01IG	DL01IS
	M20x1,5	DL11IB	DL11IG	DL11IS
	M25x1,5	DL21IB	DL21IG	DL21IS
	M32x1,5	DL31IB	DL31IG	DL31IS
	M40x1,5	DL41IB	DL41IG	DL41IS
	M50x1,5	DL51IB	DL51IG	DL51IS
	M63x1,5	DL61IB	DL61IG	DL61IS
	M75x1,5	DL71IB	DL71IG	DL71IS
	M90x1,5	DL81IB	DL81IG	DL81IS
	M100x1,5	DL10IB	DL10IG	DL10IS
	M115x1,5	DL115IB	DL115IG	DL115IS

Nickel-plated brass earthing rings	ISO thread	Nickel-plated brass	Stainless steel	Serrated stainless steel lock washers	Code	Adapters and reducers of the RE... series
	M12x1,5	A0231IB	A0231IS		RD101S/A4 RD11S/A4 RD12S/A4 RD13S/A4 RD14S/A4 RD15S/A4 RD16S/A4	
	M16x1,5	A0131IB	A0131IS			
	M20x1,5	A131IB	A131IS			
	M25x1,5	A231IB	A231IS			
	M32x1,5	A331IB	A331IS			
	M40x1,5	A431IB	A431IS			
	M50x1,5	A531IB	A531IS			
	M63x1,5	A631IB	A631IS			
	M75x1,5	A731IB	A731IS			
	M90x1,5	A831IB	A831IS			
	M100x1,5	A1031IB	A1031IS			
	M115x1,5	A1031B	A1031S			

* For different threads, contact the sales department. comm@antideflagranti.com



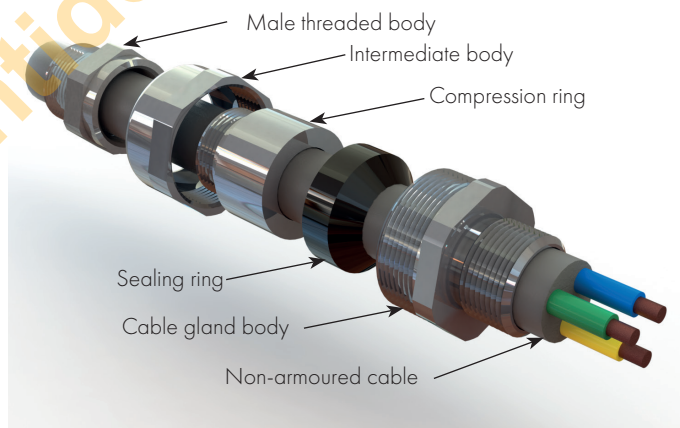
comm@antideflagranti.com



CABLE GLAND SELECTION TABLE

Code Nickel-plated brass	Thread	Code Nickel-plated brass	Thread	Dimensions in mm				Range	Weight
				AC1	AC2	AC3	L	Ød min-max Outer sheath of the cable	Kg
NAVNS02NB	1/4" NPT	NAVNS12IB	M12x1,5	18	18	20	63.5	3.0 - 6.0	0,120
NAVNS01NB	3/8" NPT	NAVNS16IB	M16x1,5	24	24	20	64	3.5 - 8.6	0,172
NAVNS1SNB	1/2" NPT	NAVNS20SIB	M20x1,5	24	26	20	64	6.3 - 11.6	0,193
NAVNS1NB	1/2" NPT	NAVNS20IB	M20x1,5	30	32	24	67	6.5 - 14	0,250
NAVNS2NB	3/4" NPT	NAVNS25IB	M25x1,5	36	38	30	67	11 - 20	0,277
NAVNS3NB	1" NPT	NAVNS32IB	M32x1,5	45	47	38	70	17 - 27	0,471
NAVNS4NB	1 1/4" NPT	NAVNS40IB	M40x1,5	50	52	45	70	22 - 32	0,604
NAVNS5SNB	1 1/2" NPT	NAVNS50SIB	M50x1,5	55	57	52	73	29.5 - 38	0,748
NAVNS5NB	2" NPT	NAVNS50IB	M50x1,5	60	62	52	73	35.5 - 44	0,725
NAVNS6SNB	2" NPT	NAVNS63SIB	M63x1,5	68	77	64	83	40 - 50	1,361
NAVNS6NB	2 1/2" NPT	NAVNS63IB	M63x1,5	73	77	64	84	47 - 56	1,184
NAVNS7SNB	2 1/2" NPT	NAVNS75SIB	M75x1,5	80	82	82	87	53 - 62	1,478
NAVNS7NB	3" NPT	NAVNS75IB	M75x1,5	85	90	80	88	59 - 68	1,235
NAVNS8NB	3" NPT	NAVNS90IB	M90x1,5	100	110	90	97	66 - 79	2,466
NAVNS9NB	3 1/2" NPT	NAVNS100IB	M100x1,5	115	120	100	100	76 - 91	2,687
NAVNS10NB	4" NPT	NAVNS115IB	M115x1,5	120	130	115	100	86 - 98	3,702

* Dimensions with threaded: NPT / ISO



Sample order code



TECHNICAL NOTES:

- Silicone o-rings are supplied for cylindrical threads (ISO metric) for the pre-assembled IP seal on the cable gland
- The ISO7/1 thread version is available upon request (sample code NAVNS1B)
- Also available in stainless steel AISI 316 (sample code NAVNS1S)
- Other materials on request
- For "Ex i" intrinsic safety version, RAL 5015 blue nut (sample code NAVNS1IA)

