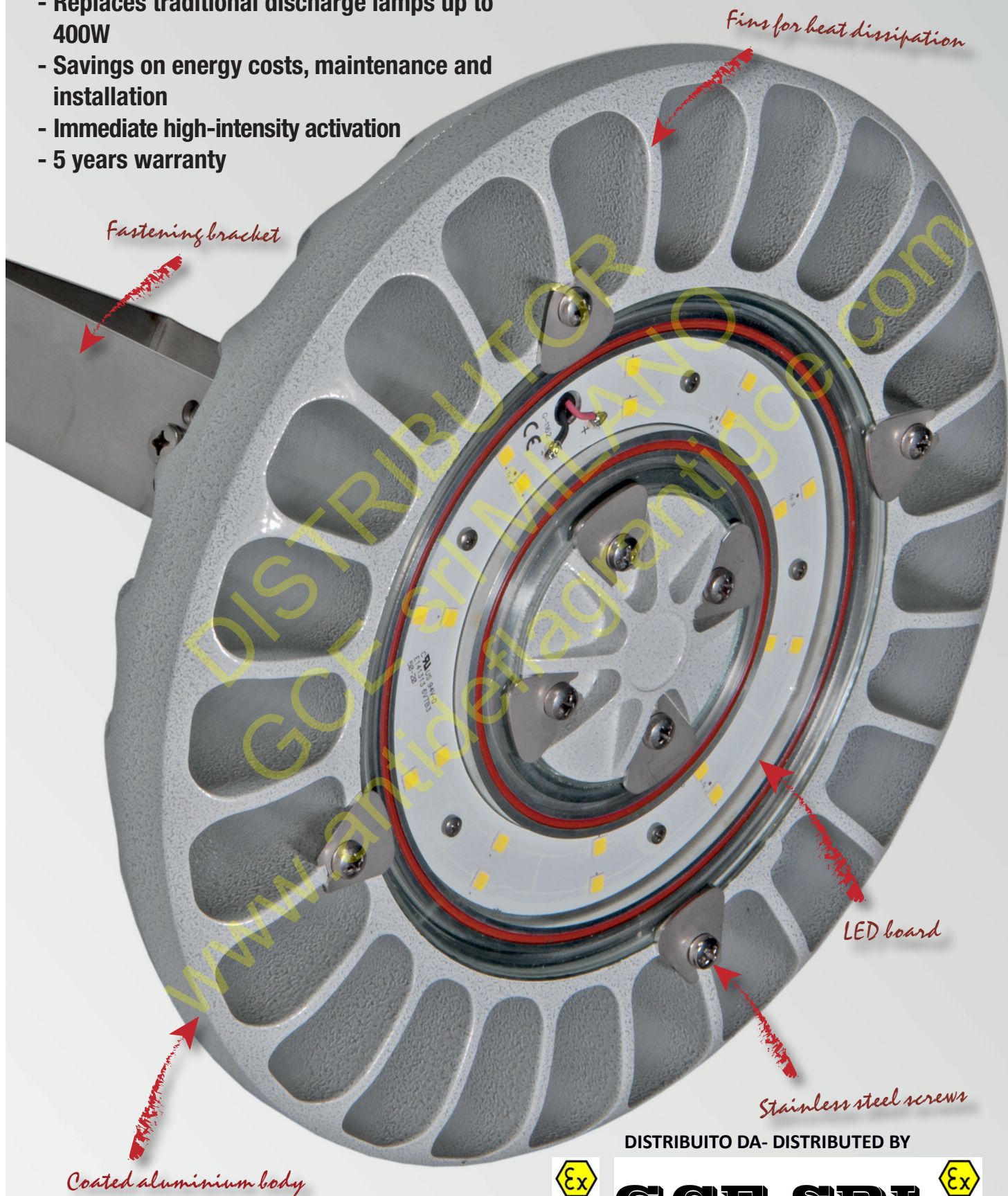




Patent Pending

- Zone 1, 2, 21, 22
- Replaces traditional discharge lamps up to 400W
- Savings on energy costs, maintenance and installation
- Immediate high-intensity activation
- 5 years warranty



DISTRIBUITO DA- DISTRIBUTED BY



GCE SRL



MILANO - ITALY

www.antideflagranti.com





FlowEx series lighting fixtures represent the most recent evolution of low-bay and high-bay LED lighting for environments with potentially explosive atmospheres.

The FlowEx series is made up of three lamp body sizes and is the LED alternative for all those areas where it was customary for low and medium power discharge lighting fixtures up to 400W to be installed.

The design of the finned body, made of aluminium alloy, acts as an excellent heat sink for the LED board, allowing fast and effective dissipation of the heat generated during normal operation of the LEDs themselves. Furthermore, the geometric structure of the cooling fins is designed to minimise the deposits of combustible dust and allow air or water present in the surrounding area to self-clean the lighting fixture.

Based on the principles of Lean manufacturing, the design resulted in a lighting fixture that is light and easy to install, yet robust and durable at the same time.

They feature a high-quality die-cast aluminium body and a glass diffuser which is resistant to impact and high temperatures.

Available in different sizes and with a wide range of voltage and power features, the FlowEx series is optimally designed and certified for the area of installation.

The use of LED dual-die technology and high-power LED boards provides a lumen output from 4.800 lm to 28.000 lm, making the range highly efficient and long lasting in terms of its electronics and lighting technology.

Sectors of application:



Petroleum refineries



Chemical and petrochemical facilities



Anti-light pollution



Offshore facilities



Onshore facilities



Perimeter zone lighting



Petroleum loading/unloading pontoons

CERTIFICATE DATA

Classification:	Group II	Category 2GD/3G	
Installation: EN 60079.14	zone 1, 2, 21, 22 FLOWEX-ME	zone 2, 21, 22 FLOWEX-MN	
Marking:	CE 0722 Ex II 2GD - Ex db eb mb IIC T.. Gb - Ex tb IIIC T..°C Db - IP66		FLOWEX-ME
	CE Ex II 3G - Ex nR IIC T.. Gc CE 0722 Ex II 2D - Ex tb IIIC T..°C Db - IP66		FLOWEX-MN
Certificate:	ATEX CML 21 ATEX 3606X		FLOWEX-ME
	ATEX CML 21 ATEX 4607X ATEX CML 21 ATEX 3610X		FLOWEX-MN
	IEC Ex CML 21.0070X		For all IEC Ex, UKEX certification data, download the certificate from www.antideflagranticce.com
	UKEX AVAILABLE		
Standards:	CENELEC EN60079-0: 2018, EN60079-1:2014, EN60079-7: 2015+A1:2018, EN60079-15: 2015/2019, EN60079-18: 2015+A1:2017, EN60079-31: 2014 and EUROPEAN DIRECTIVE 2014/34/EU. IEC60079-0: 2017, IEC60079-7: 2017, IEC60079-15: 2017, IEC 60079-18: 2017, IEC60079-31: 2013		
Temperature class:	For all permitted ambient temperature classes, please see the "Selection tables"		
Ambient temperature:	❄️ -40°C +60°C ☀️	Ex cod. FLOWEX-ME-080070	For all permitted ambient temperature ranges, please see the "Selection tables"
	❄️ -60°C +60°C ☀️	Ex cod. FLOWEX-ME-080070/C	
Degree of protection:	IP66		





DISTRIBUITO DA- DISTRIBUTED BY



GCE SRL



MILANO - ITALY

www.antideflagrantiyce.com



For more information on electrical connectors see link:

www.antideflagrantiyce.com

ORIGINAL PRODUCT



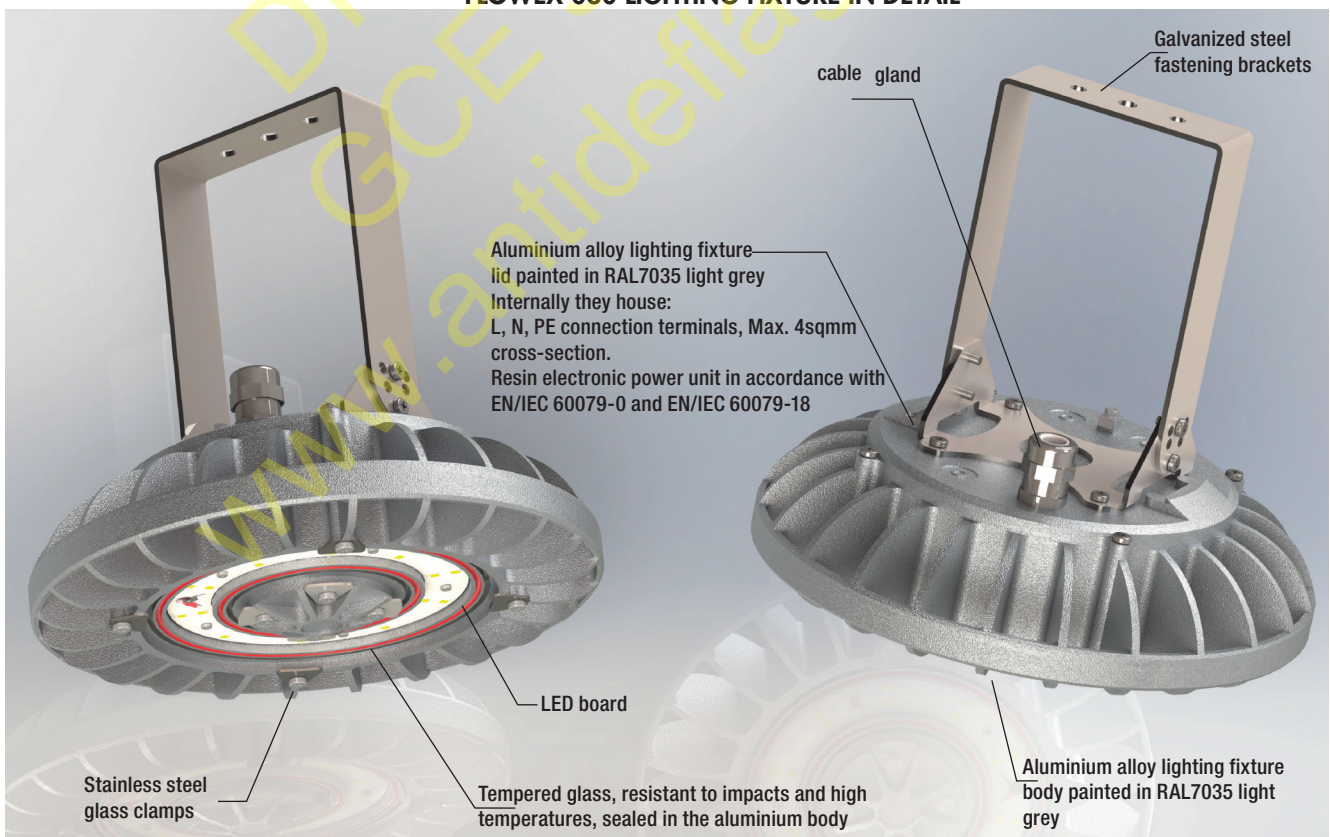
NO PHOTOBIOLOGICAL RISK
(IEC / EN 62471 STANDARD)

MECHANICAL FEATURES

Body:	Aluminium alloy with low copper content. With cooling fins for high levels of heat dissipation
Front glass:	Tempered glass, resistant to high temperatures and knocks
Seals:	Silicone resistant to acids, hydrocarbons and high temperatures
Fastening bracket:	Galvanized steel
Screws:	Stainless steel
Entry points:	1xØ20 entry point. Fixture complete with a NAV20SIB cable gland or equivalent
Coating:	Polyester RAL 7035 (Light grey)
Corrosion Resistance:	The STANDARD of the aluminium alloy used by manufacturer has passed the tests required by the Standard EN60068-2-30 (hot-humid cycles) and EN60068-2-11 (salt fog test)

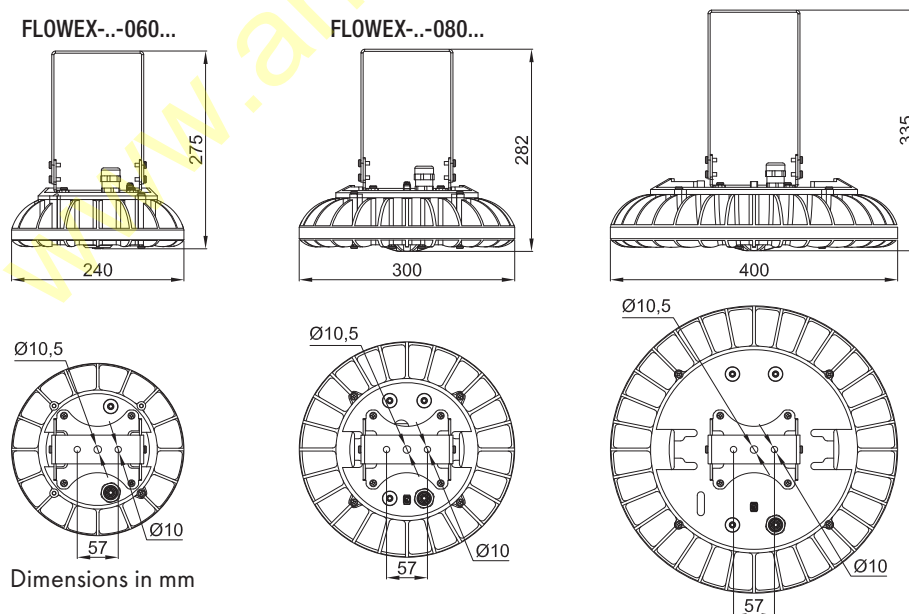
comm@antideflagrantiyce.com

FLOWEX-080 LIGHTING FIXTURE IN DETAIL



Code	Real power Watt	Rated power Watt	Temperature class / Maximum surface temperature				Lumen lm	Light intensity cd	Overall efficiency Lm/W	Weight kg	mm	
			TA=+40°C	TA=+50°C	TA=+55°C	TA=+60°C						
Zone 1, 2, 21, 22	FLOWEX-ME-060030	32,8	30	T6 / 73°C	T5 / 83°C	T5 / 88°C	T5 / 93°C	4785	1700	146	3,2	285x245x135
	FLOWEX-ME-060040	38,8	40	T6 / 73°C	T5 / 83°C	T5 / 88°C	T5 / 93°C	5531	1966	143	3,2	285x245x135
	FLOWEX-ME-060050	46,7	50	T6 / 73°C	T5 / 83°C	T5 / 88°C	T5 / 93°C	6389	2273	137	3,2	285x245x135
	FLOWEX-ME-060060	55,6	60	T6 / 73°C	T5 / 83°C	T5 / 88°C	T5 / 93°C	7285	2592	131	3,2	285x245x135
	FLOWEX-ME-080070	69,1	70	T5 / 86°C	T4 / 96°C	T4 / 101°C	T4 / 106°C	9547	3438	138	4,2	305x305x140
	FLOWEX-ME-080080	79,4	80	T5 / 86°C	T4 / 96°C	T4 / 101°C	T4 / 106°C	10646	3834	134	4,2	305x305x140
	FLOWEX-ME-080090	89,2	90	T5 / 86°C	T4 / 96°C	T4 / 101°C	T4 / 106°C	11641	4197	129	4,2	305x305x140
	FLOWEX-ME-080100	101,7	100	T5 / 86°C	T4 / 96°C	T4 / 101°C	T4 / 106°C	12708	4582	125	4,2	305x305x140
	FLOWEX-ME-100120	117,0	120	T6 / 74°C	T5 / 84°C	T5 / 89°C	T5 / 94°C	17687	6221	151	7,8	405x405x145
	FLOWEX-ME-100140	136,5	140	T6 / 74°C	T5 / 84°C	T5 / 89°C	T5 / 94°C	20154	7086	148	7,8	405x405x145
	FLOWEX-ME-100160	156,6	160	T6 / 74°C	T5 / 84°C	T5 / 89°C	T5 / 94°C	22422	7882	143	7,8	405x405x145
	FLOWEX-ME-100180	173,6	180	T5 / 85°C	T5 / 95°C	T4 / 100°C	T4 / 105°C	24218	8513	140	7,8	405x405x145
FLOWEX-ME-100200	190,1	200	T5 / 85°C	T5 / 95°C	T4 / 100°C	T4 / 105°C	25709	9040	135	7,8	405x405x145	
FLOWEX-ME-100220	214,2	220	T5 / 85°C	T5 / 95°C	T4 / 100°C	T4 / 105°C	27961	9837	131	7,8	405x405x145	
Zone 2, 21, 22	FLOWEX-MN-060030	32,8	30	T6 / 73°C	T5 / 83°C	T5 / 88°C	T5 / 93°C	4784	1700	146	3,2	285x245x135
	FLOWEX-MN-060040	38,8	40	T6 / 73°C	T5 / 83°C	T5 / 88°C	T5 / 93°C	5531	1966	143	3,2	285x245x135
	FLOWEX-MN-060050	46,7	50	T6 / 73°C	T5 / 83°C	T5 / 88°C	T5 / 93°C	6389	2273	137	3,2	285x245x135
	FLOWEX-MN-060060	55,6	60	T6 / 73°C	T5 / 83°C	T5 / 88°C	T5 / 93°C	7285	2592	131	3,2	285x245x135
	FLOWEX-MN-080070	69,1	70	T5 / 86°C	T4 / 96°C	T4 / 101°C	T4 / 106°C	9547	3438	138	4,2	305x305x140
	FLOWEX-MN-080080	79,4	80	T5 / 86°C	T4 / 96°C	T4 / 101°C	T4 / 106°C	10646	3834	134	4,2	305x305x140
	FLOWEX-MN-080090	89,2	90	T5 / 86°C	T4 / 96°C	T4 / 101°C	T4 / 106°C	11641	4197	129	4,2	305x305x140
	FLOWEX-MN-080100	101,7	100	T5 / 86°C	T4 / 96°C	T4 / 101°C	T4 / 106°C	12708	4582	125	4,2	305x305x140
	FLOWEX-MN-100120	117,0	120	T6 / 74°C	T5 / 84°C	T5 / 89°C	T5 / 94°C	17687	6221	151	7,8	405x405x145
	FLOWEX-MN-100140	136,5	140	T6 / 74°C	T5 / 84°C	T5 / 89°C	T5 / 94°C	20154	7086	148	7,8	405x405x145
	FLOWEX-MN-100160	156,6	160	T6 / 74°C	T5 / 84°C	T5 / 89°C	T5 / 94°C	22422	7882	143	7,8	405x405x145
	FLOWEX-MN-100180	173,6	180	T5 / 85°C	T5 / 95°C	T4 / 100°C	T4 / 105°C	24218	8513	140	7,8	405x405x145
FLOWEX-MN-100200	190,1	200	T5 / 85°C	T5 / 95°C	T4 / 100°C	T4 / 105°C	25709	9040	135	7,8	405x405x145	
FLOWEX-MN-100220	214,2	220	T5 / 85°C	T5 / 95°C	T4 / 100°C	T4 / 105°C	27961	9837	131	7,8	405x405x145	

Dimensional drawings



FLOWEX series High Bay LED lighting fixtures

comm@antideflagrante.com

Electrical features	FLOWEX-..060..	FLOWEX-..080..	FLOWEX-..100..
Supply voltage:	100-277 Vac	100-277 Vac	100-277 Vac
Rated frequency:	50-60 Hz ±5%	50-60 Hz ±5%	50-60 Hz ±5%
Rated power consumption* :	..030 30 W	..070 70 W	..120 120 W
	..040 40 W	..080 80 W	..140 140 W
	..050 50 W	..090 90 W	..160 160 W
	..060 60 W	..100 100 W	..180 180 W
	-	-	..200 200 W
	-	-	..220 220 W
Connection:	Cable entry directly to the terminal board L, N, PE. Max. 4 sq mm cross-section		
Power factor:	>0.95	>0.95	>0.95
Rated current:	..030 150 mA	..070 310 mA	..120 540 mA
	..040 180 mA	..080 360 mA	..140 620 mA
	..050 210 mA	..090 400 mA	..160 700 mA
	..060 250 mA	..100 450 mA	..180 770 mA
	-	-	..200 840 mA
	-	-	..220 950 mA
EMC (Electromagnetic Compatibility):	EN 55015, EN 61547, IEC 61000-3-2, IEC 61000-3-3		
THD (Total Harmonic Distortion):	<10%		
Over-voltage protection:	4 kV	4 kV	4 kV
Driver performance levels:	Over-Voltage Protection, Over-Current Protection, Short-Circuit Protection		
Dimming (on request only in the ..- MN version):	(0-10 V) or PWM or resistor	(0-10 V) or PWM or resistor	(0-10 V) or PWM or resistor
Photometric features			
Multichip LED:	High power LED	High power LED	High power LED
Viewing angle:	120°	120°	120°
Colour temperature:	5000 K	5000 K	5000 K
CRI:	>70	>70	>70
Instant Restrike:	YES	YES	YES
L90:	> 60000 h	> 60000 h	> 60000 h

* Test performed at 230 Vac

ACCESSORIES UPON REQUEST / SPECIAL REQUESTS

Different rated voltages

Dimming only in the ..- MN version (code example FLOWEX-MN-100180-**D**)

Lighting fixture with dimming and different holes for cable entry:

- FLOWEX-MN-080080-**DB** N°2 entries Ø20
- FLOWEX-MN-080080-**DC** N°1 entry Ø25
- FLOWEX-MN-080080-**DF** N°2 entries Ø25

Additional U-bolts for assembly to a pole

Eye bolt

Special lid for direct installation on pole (code example FLOWEX-ME-080080-**T**)

Threaded pole attachment with fixed 25° orientation

Fastening brackets in stainless steel AISI 304 or AISI 3016L

Unpainted lighting fixtures for shorter lead times (code example FLOWEX-MN-080080-DB-**NP**, FLOWEX-MN-080080-T-**NP**)

comm@antideflagrante.com



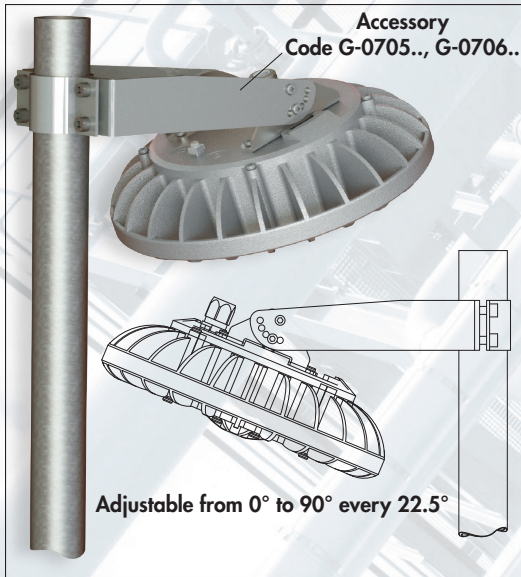
FLOWEX series High Bay LED lighting fixtures

comm@antideflagrante.com

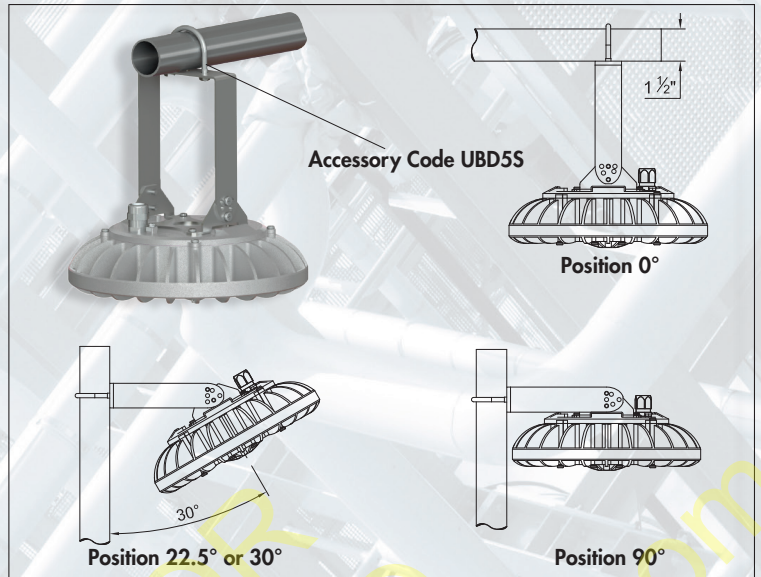
ILLUSTRAZIONE	DESCRIZIONE	MODELLO	CARATTERISTICHE	CODICE	LEGENDA	
	Electronic power unit	FLOWEX-ME-060030	100-277 Vac	EBM-50C/850		
		FLOWEX-ME-060040		EBM-50C/1000		
		FLOWEX-ME-060050		EBM-50C/1200		
		FLOWEX-ME-060060		EBM-50C/1400		
		FLOWEX-ME-080070		EBM-100C/560		
		FLOWEX-ME-080080		EBM-100C/640		
		FLOWEX-ME-080090		EBM-100C/700		
		FLOWEX-ME-080100		EBM-100C/800		
		FLOWEX-ME-100120		EBM-240C/790		
		FLOWEX-ME-100140		EBM-240C/920		
		FLOWEX-ME-100160		EBM-240C/1050		
		FLOWEX-ME-100180		EBM-240C/1150		
		FLOWEX-ME-100200		EBM-240C/1250		
		FLOWEX-ME-100220		EBM-240C/1400		
				Electronic power unit		FLOWEX-MN-060030
FLOWEX-MN-060040	LEDDEVL060/2					
FLOWEX-MN-060050	LEDDEVL060/2/3					
FLOWEX-MN-060060	LEDDEVL060/2/4					
FLOWEX-MN-080070	LEDDEVL080/4/5					
FLOWEX-MN-080080	LEDDEVL080/4/6					
FLOWEX-MN-080090	LEDDEVL080/4					
FLOWEX-MN-080100	LEDDEVL080/4/7					
FLOWEX-MN-100120	LEDDEVL100/1/6					
FLOWEX-MN-100140	LEDDEVL100/1/7					
FLOWEX-MN-100160	LEDDEVL100/1/8					
FLOWEX-MN-100180	LEDDEVL100/1/9					
FLOWEX-MN-100200	LEDDEVL100/1/1					
FLOWEX-MN-100220	LEDDEVL100/1					
	U-bolt for assembly on a pole		For poles Ø1 1/2"		Material: stainless steel AISI 316L	UBD5S
	Adjustable pole fixing bracket for Ø1 1/2" poles and Ø2 1/2"	FLOWEX-...060..	Galvanized steel	Ø1 1/2"	G-0705	 
		FLOWEX-...080..		Ø2 1/2"	G-0723	
		FLOWEX-...100..		Ø1 1/2"	G-0706	
		FLOWEX-...100..		Ø2 1/2"	G-0722	
		FLOWEX-...060..	Stainless steel AISI 304	Ø1 1/2"	G-0705IN	
		FLOWEX-...080..		Ø2 1/2"	G-0723IN	
		FLOWEX-...100..		Ø1 1/2"	G-0706IN	
		FLOWEX-...100..		Ø2 1/2"	G-0722IN	
		FLOWEX-...060..	Stainless steel AISI 316L	Ø1 1/2"	G-0705A4	
		FLOWEX-...080..		Ø2 1/2"	G-0723A4	
FLOWEX-...100..	Ø1 1/2"	G-0706A4				
FLOWEX-...100..	Ø2 1/2"	G-0722A4				
	Fastening bracket	FLOWEX-...060..	Stainless steel AISI 304	G-1262IN		 
		FLOWEX-...080..	Stainless steel AISI 316L	G-1262A4		
		FLOWEX-...100..	Stainless steel AISI 304	G-1263IN		
			Stainless steel AISI 316L	G-1263A4		

comm@antideflagrante.com

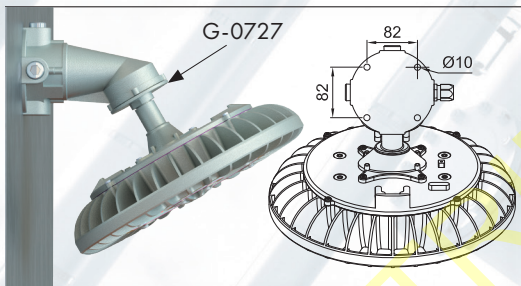




Pole mount mechanism with adjustable bracket



Assembly on 1 1/2" conduit pipe with UBD



Use example of accessories with ISO M80x2 thread with adapter **G-0727** (example of use with fixed bracket inclined at 30°)



Ceiling mount, tall model TYPE "U"

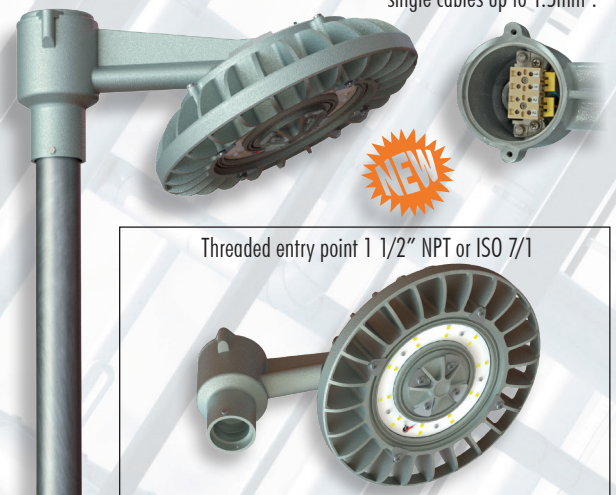
DIRECT POLE ATTACHMENT SYSTEM

Lighting fixture prearranged for direct installation on pole



STANCHION MOUNTING WITH FIXED ORIENTATION AT 25°

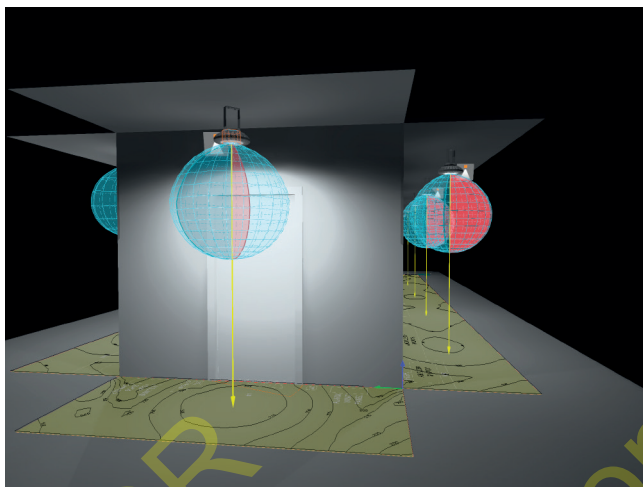
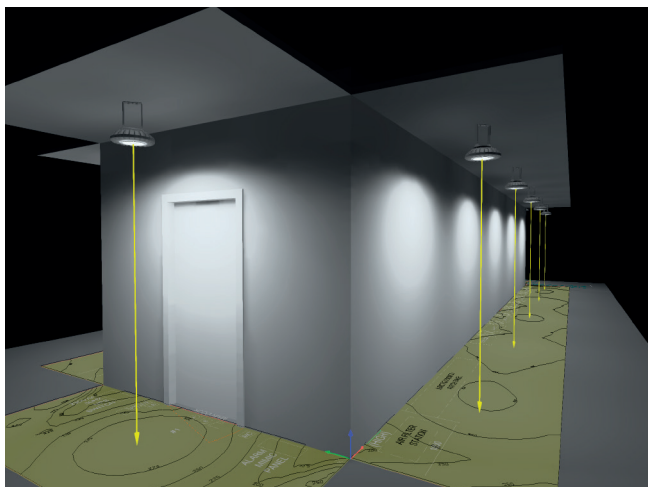
Direct connection to terminal board L, N, Pe. Possible section 1.5mm² for loop-in/loop-out. Input of 3 single cables up to 4mm², input-output with 6 single cables up to 1.5mm².



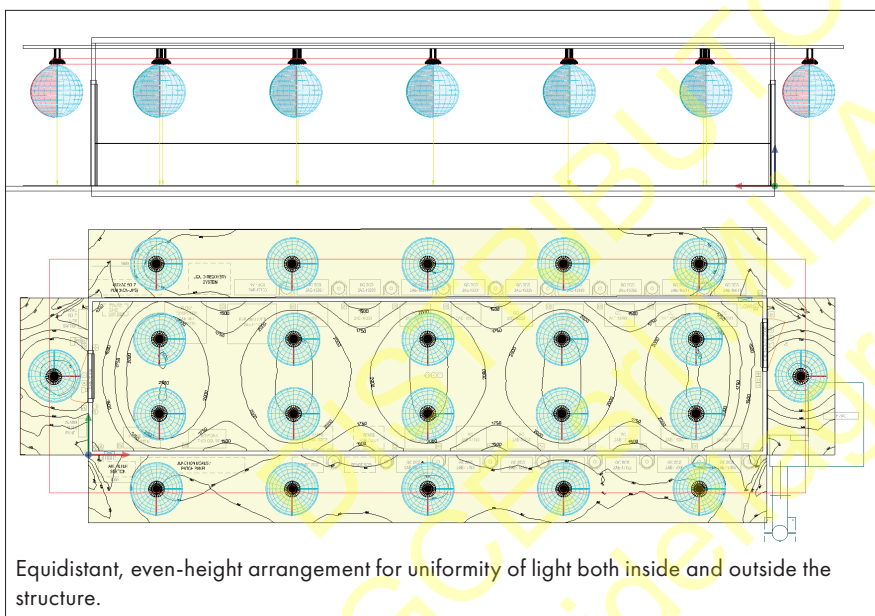
Code	X	Y	Weight kg	mm
FLOWEX-060...-IX	372	215	4,5	372x170x215
FLOWEX-080...-IX	419	242	8,2	351x351x242
FLOWEX-100...-IX	478	280	12,0	412x412x280



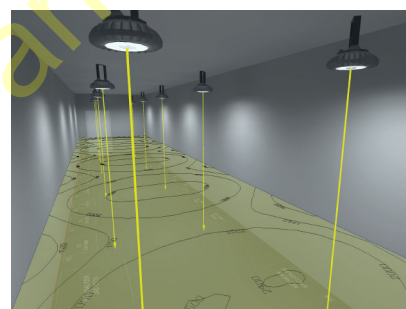
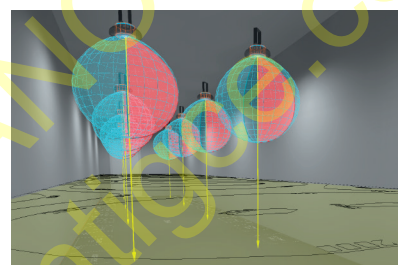
comm@antideflagranti.com



Representation of an outdoor installation - perimeter lighting on 13m and 3m lengths



Equidistant, even-height arrangement for uniformity of light both inside and outside the structure.



Representation of an indoor installation - room height 2.7m, worktop height 0.8m

List of lighting fixture power used

Φ_{total} 114222 lm	P_{total} 793.6 W	Efficiency 143.9 lm/W			
	Pc.	Item	P	Φ	Efficiency
Internal area	10	FLOWEX...060030	32.8 W	4785 lm	145.9 lm/W
External area	12	FLOWEX...060040	38.8 W	5531 lm	142.5 lm/W

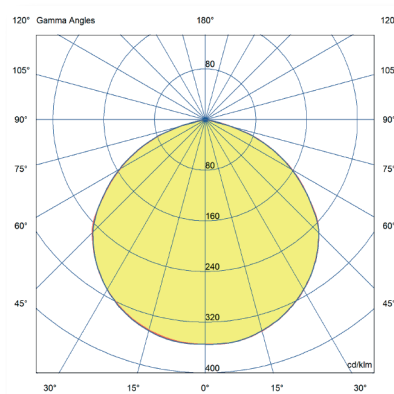
DISTRIBUITO DA- DISTRIBUTED BY



MILANO - ITALY

www.antideflagranti.com

The lighting solution files for the design, planning and simulation of lighting levels in 2D-3D, rendering and ray-tracing are available from www.antideflagranti.com



— = level 90270
 — = level 0180

comm@antideflagranti.com

