

PMAX Series - Barrier version

Explosion proof cable gland double compression with male thread suitable for all type of armoured cable.

Features

Resinable bushing: with filling compound epoxide resin REPM-1

Double sealing: internal and external sealing rings

Material used: nickel plated brass CW614N

Operating temperature: -40°C up to 100°C with EPDM sealing rings

NPT thread: from 3/8" up to 3"

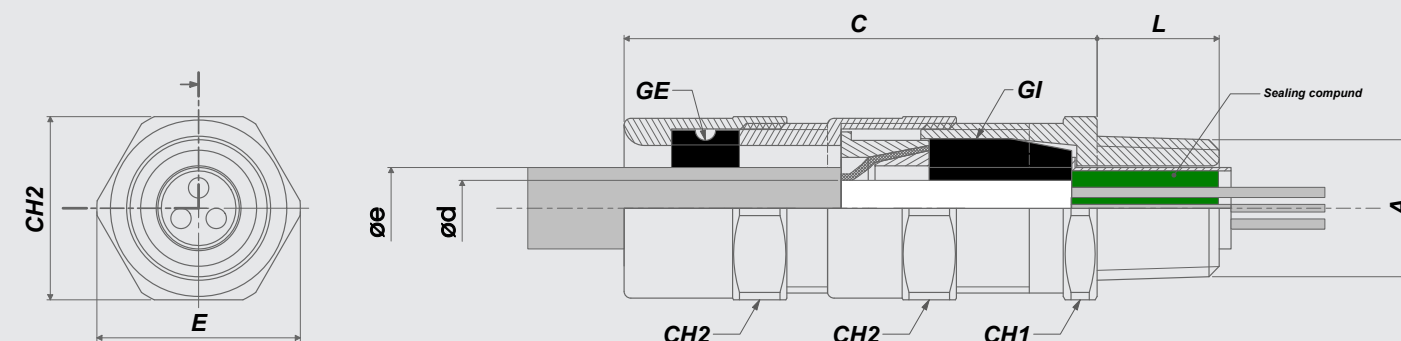
ISO 262 thread: from M16x1.5 up to M90x1.5

Degree of protection: IP66

Unarmoured cable clamping range: from \varnothing 2mm up to \varnothing 74mm

Armoured cable clamping range: from \varnothing 5mm up to \varnothing 84mm

All cable glands are supplied with a full set of sealing rings (GI rings, see table) in various diameter range.



| Code | A | L | C | CH1 | CH2 | E | ød range | øe range |
|--------------|------------|----|----|-----|-----|-----|----------|----------|
| NPT | | | | | | | | |
| PMAX38B-KIT | 3/8" NPT | 16 | 69 | 22 | 24 | 25 | 2 ÷ 8 | 5 ÷ 13 |
| PMAX1B-KIT | 1/2" NPT | 18 | 69 | 27 | 27 | 30 | 4 ÷ 12 | 6 ÷ 18 |
| PMAX1EB-KIT | 1/2" NPT | 18 | 69 | 30 | 30 | 33 | 5 ÷ 14 | 9 ÷ 19 |
| PMAX2B-KIT | 3/4" NPT | 18 | 69 | 31 | 33 | 35 | 9 ÷ 17 | 13 ÷ 23 |
| PMAX3B-KIT | 1" NPT | 23 | 81 | 41 | 44 | 46 | 14 ÷ 23 | 18 ÷ 30 |
| PMAX4B-KIT | 1.1/4" NPT | 23 | 81 | 46 | 48 | 51 | 20 ÷ 29 | 24 ÷ 35 |
| PMAX5B-KIT | 1.1/2" NPT | 23 | 81 | 56 | 58 | 62 | 20 ÷ 35 | 26 ÷ 43 |
| PMAX6B-KIT | 2" NPT | 23 | 81 | 64 | 68 | 76 | 35 ÷ 45 | 42 ÷ 52 |
| PMAX7B-KIT | 2.1/2" NPT | 28 | 95 | 78 | 82 | 90 | 45 ÷ 56 | 52 ÷ 65 |
| PMAX8B-KIT | 3" NPT | 28 | 95 | 94 | 100 | 104 | 56 ÷ 68 | 65 ÷ 78 |
| PMAX9B-KIT | 3" NPT | 28 | 95 | 102 | 110 | 112 | 62 ÷ 74 | 71 ÷ 84 |
| ISO | | | | | | | | |
| PMAX16B-KIT | M16x1.5 | 16 | 69 | 22 | 24 | 25 | 2 ÷ 8 | 5 ÷ 13 |
| PMAX20B-KIT | M20x1.5 | 16 | 69 | 27 | 27 | 30 | 4 ÷ 12 | 6 ÷ 18 |
| PMAX20EB-KIT | M20x1.5 | 16 | 69 | 30 | 30 | 33 | 5 ÷ 14 | 9 ÷ 19 |
| PMAX25B-KIT | M25x1.5 | 16 | 69 | 31 | 33 | 35 | 9 ÷ 17 | 13 ÷ 23 |
| PMAX32B-KIT | M32x1.5 | 16 | 81 | 41 | 44 | 46 | 14 ÷ 23 | 18 ÷ 30 |
| PMAX40B-KIT | M40x1.5 | 18 | 81 | 46 | 48 | 51 | 20 ÷ 29 | 24 ÷ 35 |
| PMAX50B-KIT | M50x1.5 | 18 | 81 | 56 | 58 | 62 | 20 ÷ 35 | 26 ÷ 43 |
| PMAX63B-KIT | M63x1.5 | 18 | 81 | 70 | 68 | 76 | 35 ÷ 45 | 42 ÷ 52 |
| PMAX75B-KIT | M75x1.5 | 22 | 95 | 82 | 82 | 90 | 45 ÷ 56 | 52 ÷ 65 |
| PMAX85B-KIT | M85x1.5 | 22 | 95 | 94 | 100 | 104 | 56 ÷ 68 | 65 ÷ 78 |
| PMAX90B-KIT | M90x1.5 | 22 | 95 | 102 | 110 | 112 | 62 ÷ 74 | 71 ÷ 84 |

| ATEX & IECEx Equipment Data | | |
|-----------------------------|------------------|---------------------------------|
| Gas | Group II Zone 1 | II 2G Ex db IIC Gb Ex eb IIC Gb |
| Dust | Group II Zone 21 | II 2D Ex tb IIIC Db IP66 |
| ATEX Certificate | | IECEx Certificate |
| INERIS 10 ATEX 0029X | | IECEx INE 14.0003X |

Options available

- Fully stainless steel AISI 316L construction
- Red silicon sealings rings with operating temperature range from -60°C up to 180°C

DISTRIBUITO DA- DISTRIBUTED BY



MILANO - ITALY

www.antideflagranticce.com

The code for Inox AISI 316L version has the letter "S" on final. Es. PMA1S-KIT

PMFAX Series – Barrier version

Explosion proof barrier cable gland single compression with rotating female entry to be coupled to a rigid or flexible conduit attachment thread.

Features

Resinable bushing: with filling compound epoxide resin REPM-1

Material used: nickel plated brass CW614N

Operating temperature: -40°C up to 100°C with EPDM sealing rings

NPT thread: from 3/8" up to 3"

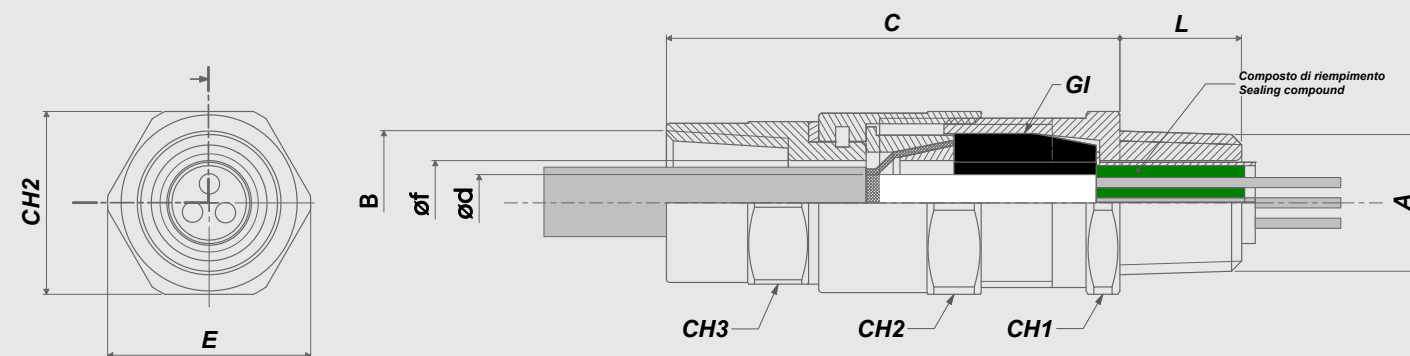
ISO 262 thread: from M16x1.5 up to M90x1.5

Degree of protection: IP66

Unarmoured cable clamping range: from ø 2mm up to ø 74mm

Armoured cable clamping range: from ø 5mm up to ø 84mm

All cable glands are supplied with a full set of sealing rings (GI rings, see table) in various diameter range.



| Code | A | B | L | C | CH1 | CH2 | CH3 | E | øf | ød range |
|---------------|------------|------------|----|----|-----|-----|-----|-----|------|----------|
| NPT | | | | | | | | | | |
| PMFAX38B-KIT | 3/8" NPT | 3/8" NPT | 16 | 66 | 22 | 24 | 20 | 25 | 8,5 | 2 ÷ 8 |
| PMFAX1B-KIT | 1/2" NPT | 1/2" NPT | 18 | 66 | 27 | 27 | 24 | 30 | 12,5 | 4 ÷ 12 |
| PMFAX1EB-KIT | 1/2" NPT | 1/2" NPT | 18 | 66 | 30 | 30 | 27 | 33 | 14,5 | 5 ÷ 14 |
| PMFAX2B-KIT | 3/4" NPT | 3/4" NPT | 18 | 66 | 31 | 33 | 32 | 35 | 17,5 | 9 ÷ 17 |
| PMFAX3B-KIT | 1" NPT | 1" NPT | 23 | 79 | 41 | 44 | 38 | 46 | 23,5 | 14 ÷ 23 |
| PMFAX4B-KIT | 1.1/4" NPT | 1.1/4" NPT | 23 | 79 | 46 | 48 | 46 | 51 | 29,5 | 20 ÷ 29 |
| PMFAX5B-KIT | 1.1/2" NPT | 1.1/2" NPT | 23 | 79 | 56 | 58 | 56 | 62 | 35,5 | 20 ÷ 35 |
| PMFAX6B-KIT | 2" NPT | 2" NPT | 23 | 79 | 64 | 68 | 68 | 76 | 45,5 | 35 ÷ 45 |
| PMFAX7B-KIT | 2.1/2" NPT | 2.1/2" NPT | 28 | 87 | 78 | 82 | 82 | 90 | 57 | 45 ÷ 56 |
| PMFAX8B-KIT | 3" NPT | 3" NPT | 28 | 87 | 94 | 100 | 98 | 104 | 75 | 56 ÷ 68 |
| ISO | | | | | | | | | | |
| PMFAX16B-KIT | M16x1.5 | M16x1.5 | 16 | 66 | 22 | 24 | 20 | 25 | 8,5 | 2 ÷ 8 |
| PMFAX20B-KIT | M20x1.5 | M20x1.5 | 16 | 66 | 27 | 27 | 24 | 30 | 12,5 | 4 ÷ 12 |
| PMFAX20EB-KIT | M20x1.5 | M20x1.5 | 16 | 66 | 30 | 30 | 27 | 33 | 14,5 | 5 ÷ 14 |
| PMFAX25B-KIT | M25x1.5 | M25x1.5 | 16 | 66 | 31 | 33 | 32 | 35 | 17,5 | 9 ÷ 17 |
| PMFAX32B-KIT | M32x1.5 | M32x1.5 | 16 | 79 | 41 | 44 | 38 | 46 | 23,5 | 14 ÷ 23 |
| PMFAX40B-KIT | M40x1.5 | M40x1.5 | 18 | 79 | 46 | 48 | 46 | 51 | 29,5 | 20 ÷ 29 |
| PMFAX50B-KIT | M50x1.5 | M50x1.5 | 18 | 79 | 56 | 58 | 56 | 62 | 35,5 | 20 ÷ 35 |
| PMFAX63B-KIT | M63x1.5 | M63x1.5 | 18 | 79 | 70 | 68 | 68 | 76 | 45,5 | 35 ÷ 45 |
| PMFAX75B-KIT | M75x1.5 | M75x1.5 | 22 | 87 | 82 | 82 | 82 | 90 | 57 | 45 ÷ 56 |
| PMFAX85B-KIT | M85x1.5 | M85x1.5 | 22 | 87 | 94 | 100 | 93 | 104 | 69 | 56 ÷ 68 |

ATEX & IECEx Equipment Data

| | | |
|------|------------------|---------------------------------|
| Gas | Group II Zone 1 | II 2G Ex db IIC Gb Ex eb IIC Gb |
| Dust | Group II Zone 21 | II 2D Ex tb IIIC Db IP66 |

| | |
|-------------------------|--------------------------|
| ATEX Certificate | IECEx Certificate |
| INERIS 10 ATEX 0029X | IECEX INE 14.0003X |

Options available

- Fully stainless steel AISI 316L construction
- Red silicon sealings rings with operating temperature range from -60°C up to 180°C

DISTRIBUITO DA- DISTRIBUTED BY

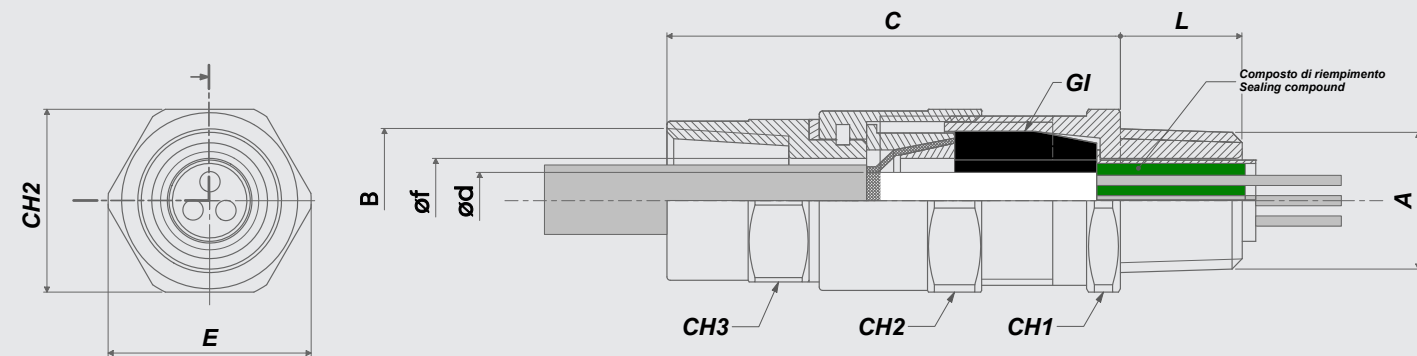


MILANO - ITALY

www.antideflagrante.com

The code for Inox AISI 316L version has the letter "S" on final. Es. PMFAX1S-KIT

PMFAX Series – Barrier version, Mixed configuration



DISTRIBUITO DA- DISTRIBUTED BY



GCE SRL



MILANO - ITALY

www.antideflagranti.com

| Code | A | B | L | C | CH1 | CH2 | CH3 | E | øf | ød range |
|----------------|------------|------------|----|----|-----|-----|-----|-----|------|----------|
| PMFAX3816B-KIT | 3/8" NPT | M16x1.5 | 16 | 66 | 22 | 24 | 20 | 25 | 8,5 | 2 ÷ 8 |
| PMFAX120B-KIT | 1/2" NPT | M20x1.5 | 18 | 66 | 27 | 27 | 24 | 30 | 12,5 | 4 ÷ 12 |
| PMFAX1E20B-KIT | 1/2" NPT | M20x1.5 | 18 | 66 | 30 | 30 | 27 | 33 | 14,5 | 5 ÷ 14 |
| PMFAX225B-KIT | 3/4" NPT | M25x1.5 | 18 | 66 | 31 | 33 | 32 | 35 | 17,5 | 9 ÷ 17 |
| PMFAX332B-KIT | 1" NPT | M32x1.5 | 23 | 79 | 41 | 44 | 38 | 46 | 23,5 | 14 ÷ 23 |
| PMFAX440B-KIT | 1.1/4" NPT | M40x1.5 | 23 | 79 | 46 | 48 | 46 | 51 | 29,5 | 20 ÷ 29 |
| PMFAX550B-KIT | 1.1/2" NPT | M50x1.5 | 23 | 79 | 56 | 58 | 56 | 62 | 35,5 | 20 ÷ 35 |
| PMFAX663B-KIT | 2" NPT | M63x1.5 | 23 | 79 | 64 | 68 | 68 | 76 | 45,5 | 35 ÷ 45 |
| PMFAX775B-KIT | 2.1/2" NPT | M75x1.5 | 28 | 87 | 78 | 82 | 82 | 90 | 57 | 45 ÷ 56 |
| PMFAX885B-KIT | 3" NPT | M85x1.5 | 28 | 87 | 94 | 100 | 98 | 104 | 75 | 56 ÷ 68 |
| PMFAX1638B-KIT | M16x1.5 | 3/8" NPT | 16 | 66 | 22 | 24 | 20 | 25 | 8,5 | 2 ÷ 8 |
| PMFAX201B-KIT | M20x1.5 | 1/2" NPT | 16 | 66 | 27 | 27 | 24 | 30 | 12,5 | 4 ÷ 12 |
| PMFAX20E1B-KIT | M20x1.5 | 1/2" NPT | 16 | 66 | 30 | 30 | 27 | 33 | 14,5 | 5 ÷ 14 |
| PMFAX252B-KIT | M25x1.5 | 3/4" NPT | 16 | 66 | 31 | 33 | 32 | 35 | 17,5 | 9 ÷ 17 |
| PMFAX323B-KIT | M32x1.5 | 1" NPT | 16 | 79 | 41 | 44 | 38 | 46 | 23,5 | 14 ÷ 23 |
| PMFAX404B-KIT | M40x1.5 | 1.1/4" NPT | 18 | 79 | 46 | 48 | 46 | 51 | 29,5 | 20 ÷ 29 |
| PMFAX505B-KIT | M50x1.5 | 1.1/2" NPT | 18 | 79 | 56 | 58 | 56 | 62 | 35,5 | 20 ÷ 35 |
| PMFAX636B-KIT | M63x1.5 | 2" NPT | 18 | 79 | 70 | 68 | 68 | 76 | 45,5 | 35 ÷ 45 |
| PMFAX757B-KIT | M75x1.5 | 2.1/2" NPT | 22 | 87 | 82 | 82 | 82 | 90 | 57 | 45 ÷ 56 |
| PMFAX858B-KIT | M85x1.5 | 3" NPT | 22 | 87 | 94 | 100 | 93 | 104 | 75 | 56 ÷ 68 |

The code for Inox AISI 316L version has the letter "S" on final. Es. PMFAX120S-KIT

PMMAX Series - Barrier version

Explosion proof barrier cable gland single compression with rotating male entry to be coupled to a rigid or flexible conduit attachment thread.

Features

Resinable bushing: with filling compound epoxide resin REPM-1

Material used: nickel plated brass CW614N

Operating temperature: -40°C up to 100°C with EPDM sealing rings

NPT thread: from 3/8" up to 3"

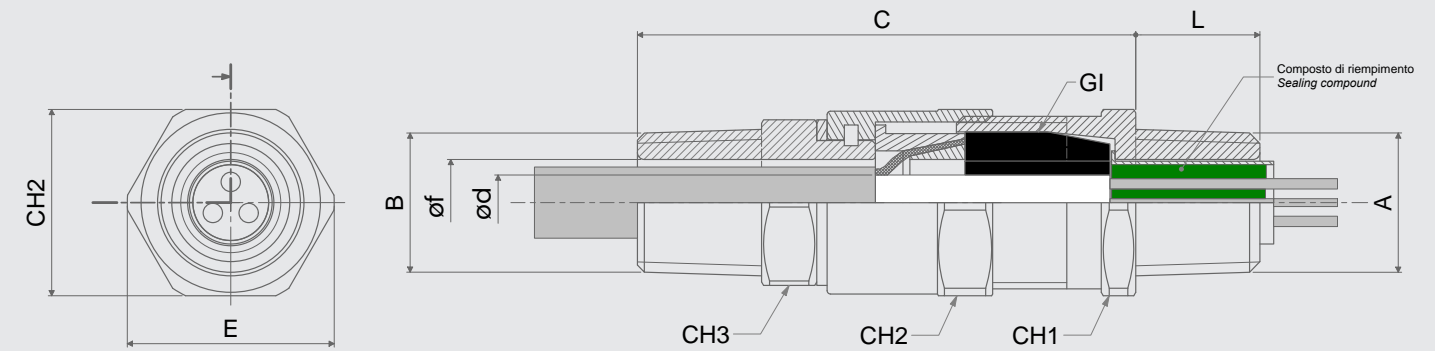
ISO 262 thread: from M16x1.5 up to M90x1.5

Degree of protection: IP66

Unarmoured cable clamping range: from ø 2mm up to ø 74mm

Armoured cable clamping range: from ø 5mm up to ø 84mm

All cable glands are supplied with a full set of sealing rings (GI rings, see table) in various diameter range.



| Code | A | B | L | C | CH1 | CH2 | CH3 | E | øf | ød range |
|---------------|------------|------------|----|----|-----|-----|-----|-----|------|----------|
| NPT | | | | | | | | | | |
| PMMAX38B-KIT | 3/8" NPT | 3/8" NPT | 16 | 66 | 22 | 24 | 20 | 25 | 8,5 | 2 ÷ 8 |
| PMMAX1B-KIT | 1/2" NPT | 1/2" NPT | 18 | 66 | 27 | 27 | 24 | 30 | 12,5 | 4 ÷ 12 |
| PMMAX1EB-KIT | 1/2" NPT | 1/2" NPT | 18 | 66 | 30 | 30 | 27 | 33 | 14,5 | 5 ÷ 14 |
| PMMAX2B-KIT | 3/4" NPT | 3/4" NPT | 18 | 66 | 31 | 33 | 32 | 35 | 17,5 | 9 ÷ 17 |
| PMMAX3B-KIT | 1" NPT | 1" NPT | 23 | 79 | 41 | 44 | 38 | 46 | 23,5 | 14 ÷ 23 |
| PMMAX4B-KIT | 1.1/4" NPT | 1.1/4" NPT | 23 | 79 | 46 | 48 | 46 | 51 | 29,5 | 20 ÷ 29 |
| PMMAX5B-KIT | 1.1/2" NPT | 1.1/2" NPT | 23 | 79 | 56 | 58 | 56 | 62 | 35,5 | 20 ÷ 35 |
| PMMAX6B-KIT | 2" NPT | 2" NPT | 23 | 79 | 64 | 68 | 68 | 76 | 45,5 | 35 ÷ 45 |
| PMMAX7B-KIT | 2.1/2" NPT | 2.1/2" NPT | 28 | 87 | 78 | 82 | 82 | 90 | 57 | 45 ÷ 56 |
| PMMAX8B-KIT | 3" NPT | 3" NPT | 28 | 87 | 94 | 100 | 98 | 104 | 75 | 56 ÷ 68 |
| ISO | | | | | | | | | | |
| PMMAX16B-KIT | M16x1.5 | M16x1.5 | 16 | 66 | 22 | 24 | 20 | 25 | 8,5 | 2 ÷ 8 |
| PMMAX20B-KIT | M20x1.5 | M20x1.5 | 16 | 66 | 27 | 27 | 24 | 30 | 12,5 | 4 ÷ 12 |
| PMMAX20EB-KIT | M20x1.5 | M20x1.5 | 16 | 66 | 30 | 30 | 27 | 33 | 14,5 | 5 ÷ 14 |
| PMMAX25B-KIT | M25x1.5 | M25x1.5 | 16 | 66 | 31 | 33 | 32 | 35 | 17,5 | 9 ÷ 17 |
| PMMAX32B-KIT | M32x1.5 | M32x1.5 | 16 | 79 | 41 | 44 | 38 | 46 | 23,5 | 14 ÷ 23 |
| PMMAX40B-KIT | M40x1.5 | M40x1.5 | 18 | 79 | 46 | 48 | 46 | 51 | 29,5 | 20 ÷ 29 |
| PMMAX50B-KIT | M50x1.5 | M50x1.5 | 18 | 79 | 56 | 58 | 56 | 62 | 35,5 | 20 ÷ 35 |
| PMMAX63B-KIT | M63x1.5 | M63x1.5 | 18 | 79 | 70 | 68 | 68 | 76 | 45,5 | 35 ÷ 45 |
| PMMAX75B-KIT | M75x1.5 | M75x1.5 | 22 | 87 | 82 | 82 | 82 | 90 | 57 | 45 ÷ 56 |
| PMMAX85B-KIT | M85x1.5 | M85x1.5 | 22 | 87 | 94 | 100 | 93 | 104 | 75 | 56 ÷ 68 |

ATEX & IECEx Equipment Data

| | | |
|-------------|------------------|---------------------------------|
| Gas | Group II Zone 1 | II 2G Ex db IIC Gb Ex eb IIC Gb |
| Dust | Group II Zone 21 | II 2D Ex tb IIIC Db IP66 |

| ATEX Certificate | IECEx Certificate |
|----------------------|--------------------|
| INERIS IO ATEX 0029X | IECEx INE 14.0003X |

Options available

- Fully stainless steel AISI 316L construction
- Red silicon sealings rings with operating temperature range from -60°C up to 180°C

DISTRIBUITO DA- DISTRIBUTED BY



GCE SRL

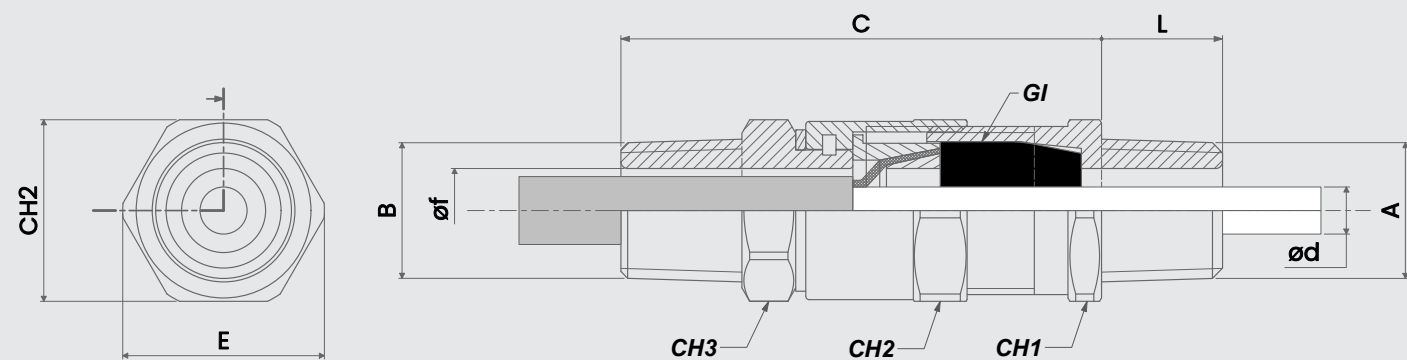


MILANO - ITALY

www.antideflagranti.com

The code for Inox AISI 316L version has the letter "S" on final. Es. PMMX1S-KIT

PMMax Series - Mixed configuration, Mixed configuration



DISTRIBUITO DA- DISTRIBUTED BY



GCE SRL



MILANO - ITALY

www.antideflagranti.com

| Code | A | B | L | C | CH1 | CH2 | CH3 | E | øf | ød range |
|----------------|------------|------------|----|----|-----|-----|-----|-----|------|----------|
| PMMax3816B-KIT | 3/8" NPT | M16x1.5 | 16 | 66 | 22 | 24 | 20 | 25 | 8,5 | 2 ÷ 8 |
| PMMax120B-KIT | 1/2" NPT | M20x1.5 | 18 | 66 | 27 | 27 | 24 | 30 | 12,5 | 4 ÷ 12 |
| PMMax1E20B-KIT | 1/2" NPT | M20x1.5 | 18 | 66 | 30 | 30 | 27 | 33 | 14,5 | 5 ÷ 14 |
| PMMax225B-KIT | 3/4" NPT | M25x1.5 | 18 | 66 | 31 | 33 | 32 | 35 | 17,5 | 9 ÷ 17 |
| PMMax332B-KIT | 1" NPT | M32x1.5 | 23 | 79 | 41 | 44 | 38 | 46 | 23,5 | 14 ÷ 23 |
| PMMax440B-KIT | 1.1/4" NPT | M40x1.5 | 23 | 79 | 46 | 48 | 46 | 51 | 29,5 | 20 ÷ 29 |
| PMMax550B-KIT | 1.1/2" NPT | M50x1.5 | 23 | 79 | 56 | 58 | 56 | 62 | 35,5 | 20 ÷ 35 |
| PMMax663B-KIT | 2" NPT | M63x1.5 | 23 | 79 | 64 | 68 | 68 | 76 | 45,5 | 35 ÷ 45 |
| PMMax775B-KIT | 2.1/2" NPT | M75x1.5 | 28 | 87 | 78 | 82 | 82 | 90 | 57 | 45 ÷ 56 |
| PMMax885B-KIT | 3" NPT | M85x1.5 | 28 | 87 | 94 | 100 | 98 | 104 | 75 | 56 ÷ 68 |
| PMMax1638B-KIT | M16x1.5 | 3/8" NPT | 16 | 66 | 22 | 24 | 20 | 25 | 8,5 | 2 ÷ 8 |
| PMMax201B-KIT | M20x1.5 | 1/2" NPT | 16 | 66 | 27 | 27 | 24 | 30 | 12,5 | 4 ÷ 12 |
| PMMax20E1B-KIT | M20x1.5 | 1/2" NPT | 16 | 66 | 30 | 30 | 27 | 33 | 14,5 | 5 ÷ 14 |
| PMMax252B-KIT | M25x1.5 | 3/4" NPT | 16 | 66 | 31 | 33 | 32 | 35 | 17,5 | 9 ÷ 17 |
| PMMax323B-KIT | M32x1.5 | 1" NPT | 16 | 79 | 41 | 44 | 38 | 46 | 23,5 | 14 ÷ 23 |
| PMMax404B-KIT | M40x1.5 | 1.1/4" NPT | 18 | 79 | 46 | 48 | 46 | 51 | 29,5 | 20 ÷ 29 |
| PMMax505B-KIT | M50x1.5 | 1.1/2" NPT | 18 | 79 | 56 | 58 | 56 | 62 | 35,5 | 20 ÷ 35 |
| PMMax636B-KIT | M63x1.5 | 2" NPT | 18 | 79 | 70 | 68 | 68 | 76 | 45,5 | 35 ÷ 45 |
| PMMax757B-KIT | M75x1.5 | 2.1/2" NPT | 22 | 87 | 82 | 82 | 82 | 90 | 57 | 45 ÷ 56 |
| PMMax858B-KIT | M85x1.5 | 3" NPT | 22 | 87 | 94 | 100 | 93 | 104 | 75 | 56 ÷ 68 |

The code for Inox AISI 316L version has the letter "S" on final. Es. PMMax120S-KIT

PMSAX Series - Barrier version

Explosion proof cable gland single compression with fast clamping for flexible conduit.

Features

Resinable bushing: with filling compound epoxide resin REPM-1

Material used: nickel plated brass CW614N

Operating temperature: -40°C up to 100°C with EPDM sealing rings

NPT thread: from 3/8" up to 3"

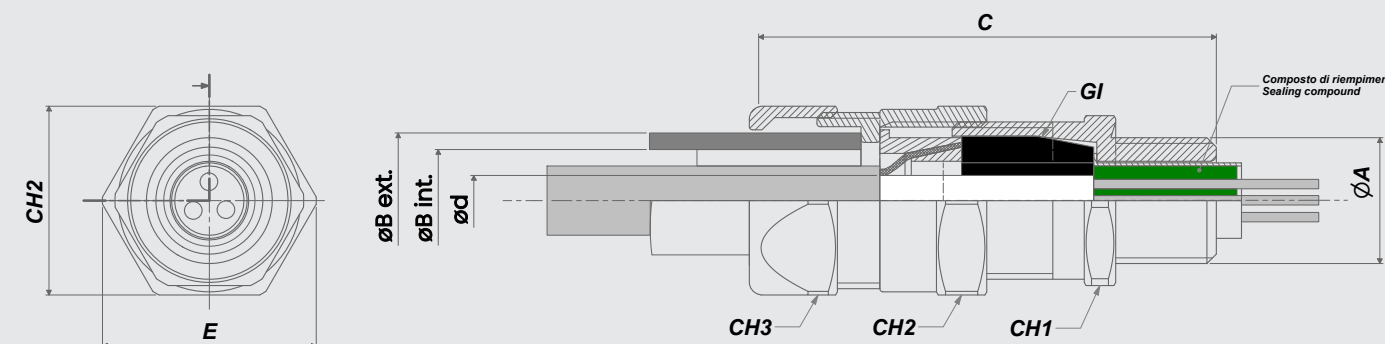
ISO 262 thread: from M16x1.5 up to M90x1.5

Degree of protection: IP66

Unarmoured cable clamping range: from \varnothing 2mm up to \varnothing 74mm

Armoured cable clamping range: from \varnothing 5mm up to \varnothing 84mm

All cable glands are supplied with a full set of sealing rings (GI rings, see table) in various diameter range.



| Code | A | L | C | CH1 | CH2 | E | ød range | øB Int. | øB Ext. | Conduit Code |
|---------------|------------|----|----|-----|-----|-----|----------|---------|---------|--------------|
| NPT | | | | | | | | | | |
| PMSAX38B-KIT | 3/8" NPT | 16 | 58 | 22 | 24 | 25 | 2 ÷ 8 | 10 | 10,5 | DMC210 |
| PMSAX1B-KIT | 1/2" NPT | 18 | 58 | 27 | 27 | 30 | 4 ÷ 12 | 15,5 | 15,5 | DMC216 |
| PMSAX1EB-KIT | 1/2" NPT | 18 | 58 | 30 | 30 | 33 | 5 ÷ 14 | 15,5 | 21,5 | DMC216 |
| PMSAX2B-KIT | 3/4" NPT | 18 | 58 | 31 | 33 | 35 | 9 ÷ 17 | 20,5 | 27 | DMC221 |
| PMSAX3B-KIT | 1" NPT | 23 | 67 | 41 | 44 | 46 | 14 ÷ 23 | 26,5 | 33 | DMC227 |
| PMSAX4B-KIT | 1.1/4" NPT | 23 | 67 | 46 | 48 | 51 | 20 ÷ 29 | 34,5 | 43 | DMC235 |
| PMSAX5B-KIT | 1.1/2" NPT | 23 | 67 | 56 | 58 | 62 | 20 ÷ 35 | 39,5 | 48 | DMC240 |
| PMSAX6B-KIT | 2" NPT | 23 | 67 | 64 | 68 | 76 | 35 ÷ 45 | 50,5 | 60 | DMC250 |
| PMSAX7B-KIT | 2.1/2" NPT | 28 | 76 | 78 | 82 | 90 | 45 ÷ 56 | 63 | 73 | DMC263 |
| PMSAX8B-KIT | 3" NPT | 28 | 76 | 94 | 100 | 104 | 56 ÷ 68 | 77 | 88 | DMC277 |
| PMSAX9B-KIT | 3" NPT | 28 | 76 | 102 | 110 | 112 | 62 ÷ 74 | 77 | 88 | DMC277 |
| ISO | | | | | | | | | | |
| PMSAX16B-KIT | M16x1.5 | 16 | 58 | 22 | 24 | 25 | 2 ÷ 8 | 10 | 10,5 | DMC210 |
| PMSAX20B-KIT | M20x1.5 | 16 | 58 | 27 | 27 | 30 | 4 ÷ 12 | 15,5 | 15,5 | DMC216 |
| PMSAX20EB-KIT | M20x1.5 | 16 | 58 | 30 | 30 | 33 | 5 ÷ 14 | 15,5 | 21,5 | DMC216 |
| PMSAX25B-KIT | M25x1.5 | 16 | 58 | 31 | 33 | 35 | 9 ÷ 17 | 20,5 | 27 | DMC221 |
| PMSAX32B-KIT | M32x1.5 | 16 | 67 | 41 | 44 | 46 | 14 ÷ 23 | 26,5 | 33 | DMC227 |
| PMSAX40B-KIT | M40x1.5 | 18 | 67 | 46 | 48 | 51 | 20 ÷ 29 | 34,5 | 43 | DMC235 |
| PMSAX50B-KIT | M50x1.5 | 18 | 67 | 56 | 58 | 62 | 20 ÷ 35 | 39,5 | 48 | DMC240 |
| PMSAX63B-KIT | M63x1.5 | 18 | 67 | 70 | 68 | 76 | 35 ÷ 45 | 50,5 | 60 | DMC250 |
| PMSAX75B-KIT | M75x1.5 | 22 | 76 | 82 | 82 | 90 | 45 ÷ 56 | 63 | 73 | DMC263 |
| PMSAX85B-KIT | M85x1.5 | 22 | 76 | 94 | 100 | 104 | 56 ÷ 68 | 77 | 88 | DMC277 |
| PMSAX90B-KIT | M90x1.5 | 22 | 76 | 102 | 110 | 112 | 62 ÷ 74 | 77 | 88 | DMC277 |

| ATEX & IECEx Equipment Data | | |
|-----------------------------|------------------|---------------------------------|
| Gas | Group II Zone 1 | II 2G Ex db IIC Gb Ex eb IIC Gb |
| Dust | Group II Zone 21 | II 2D Ex tb IIIC Db IP66 |
| ATEX Certificate | | IECEx Certificate |
| INERIS 10 ATEX 0029X | | IECEx INE 14.0003X |

Options available

- Fully stainless steel AISI 316L construction
- Red silicon sealings rings with operating temperature range from -60°C up to 180°C

DISTRIBUITO DA- DISTRIBUTED BY



GCE SRL



MILANO - ITALY

www.antideflagranti.com

The code for Inox AISI 316L version has the letter "S" on final. Es. PMSAX1S-KIT

PAX Series - Barrier version

Explosion proof cable gland single compression with male thread suitable for all type of armoured cable.

Features

Resinable bushing: with filling compound epoxide resin REPM-1

Material used: nickel plated brass CW614N

Operating temperature: -40°C up to 100°C with EPDM sealing rings

NPT thread: from 3/8" up to 3"

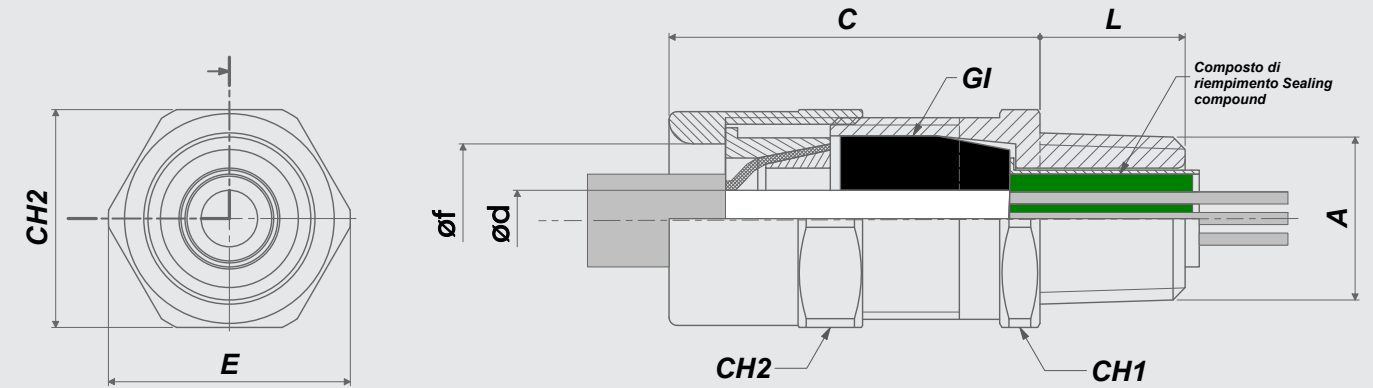
ISO 262 thread: from M16x1.5 up to M90x1.5

Degree of protection: IP66

Unarmoured cable clamping range: from ø 2mm up to ø 74mm

Armoured cable clamping range: from ø 5mm up to ø 84mm

All cable glands are supplied with a full set of sealing rings (GI rings, see table) in various diameter range.



| ATEX & IECEx Equipment Data | | |
|-----------------------------|------------------|---------------------------------|
| Gas | Group II Zone 1 | II 2G Ex db IIC Gb Ex eb IIC Gb |
| Dust | Group II Zone 21 | II 2D Ex tb IIIC Db IP66 |
| ATEX Certificate | | IECEx Certificate |
| INERIS 10 ATEX 0029X | | IECEx INE 14.0003X |

Options available

- Fully stainless steel AISI 316L construction
- Red silicon sealings rings with operating temperature range from -60°C up to 180°C

DISTRIBUITO DA- DISTRIBUTED BY



GCE SRL



MILANO - ITALY

www.antideflagrante.com

| Code | A | L | C | CH1 | CH2 | E | øf | ød range |
|-------------|------------|----|----|-----|-----|-----|------|----------|
| NPT | | | | | | | | |
| PAX38B-KIT | 3/8" NPT | 16 | 44 | 22 | 24 | 25 | 13,5 | 2 ÷ 8 |
| PAX1B-KIT | 1/2" NPT | 18 | 44 | 27 | 27 | 30 | 18,5 | 4 ÷ 12 |
| PAX1EB-KIT | 1/2" NPT | 18 | 44 | 30 | 30 | 33 | 20,5 | 5 ÷ 14 |
| PAX2B-KIT | 3/4" NPT | 18 | 44 | 31 | 33 | 35 | 23,5 | 9 ÷ 17 |
| PAX3B-KIT | 1" NPT | 23 | 51 | 41 | 44 | 46 | 30,5 | 14 ÷ 23 |
| PAX4B-KIT | 1.1/4" NPT | 23 | 51 | 46 | 48 | 51 | 36 | 20 ÷ 29 |
| PAX5B-KIT | 1.1/2" NPT | 23 | 51 | 56 | 58 | 62 | 44 | 20 ÷ 35 |
| PAX6B-KIT | 2" NPT | 23 | 51 | 64 | 68 | 76 | 53 | 35 ÷ 45 |
| PAX7B-KIT | 2.1/2" NPT | 28 | 59 | 78 | 82 | 90 | 66 | 45 ÷ 56 |
| PAX8B-KIT | 3" NPT | 28 | 59 | 94 | 100 | 104 | 79 | 56 ÷ 68 |
| PAX9B-KIT | 3" NPT | 28 | 59 | 102 | 110 | 112 | 85 | 62 ÷ 74 |
| ISO | | | | | | | | |
| PAX16B-KIT | M16x1.5 | 16 | 44 | 22 | 24 | 25 | 13,5 | 2 ÷ 8 |
| PAX20B-KIT | M20x1.5 | 16 | 44 | 27 | 27 | 30 | 18,5 | 4 ÷ 12 |
| PAX20EB-KIT | M20x1.5 | 16 | 44 | 30 | 30 | 33 | 20,5 | 5 ÷ 14 |
| PAX25B-KIT | M25x1.5 | 16 | 44 | 31 | 33 | 35 | 23,5 | 9 ÷ 17 |
| PAX32B-KIT | M32x1.5 | 16 | 51 | 41 | 44 | 46 | 30,5 | 14 ÷ 23 |
| PAX40B-KIT | M40x1.5 | 18 | 51 | 46 | 48 | 51 | 36 | 20 ÷ 29 |
| PAX50B-KIT | M50x1.5 | 18 | 51 | 56 | 58 | 62 | 44 | 20 ÷ 35 |
| PAX63B-KIT | M63x1.5 | 18 | 51 | 70 | 68 | 76 | 53 | 35 ÷ 45 |
| PAX75B-KIT | M75x1.5 | 22 | 59 | 82 | 82 | 90 | 66 | 45 ÷ 56 |
| PAX85B-KIT | M85x1.5 | 22 | 59 | 94 | 100 | 104 | 79 | 56 ÷ 68 |
| PAX90B-KIT | M90x1.5 | 22 | 59 | 102 | 110 | 112 | 85 | 62 ÷ 74 |

The code for Inox AISI 316L version has the letter "S" on final. Es. PAX1S-KIT

EXTERNAL SHROUDS SERIES SPM

The shrouds for cableglands are made in black PVC and they are used to prevent deposits of dust or other substances on the surface of the cablegland and cable entry.

| Code | NPT Dimensions | ISO Dimensions |
|-------|----------------|----------------|
| SPM16 | 3/8" | M16x1.5 |
| SPM1 | 1/2" | M20x1.5 |
| SPM2 | 3/4" | M25x1.5 |
| SPM3 | 1" | M32x1.5 |
| SPM4 | 1.1/4" | M40x1.5 |
| SPM5 | 1.1/2" | M50x1.5 |
| SPM6 | 2" | M63x1.5 |
| SPM7 | 2.1/2" | M75x1.5 |
| SPM8 | 3" | M85x1.5 |
| SPM9 | 3" | M90x1.5 |



EXTERNAL BLUE SHROUDS SERIES SPMBU

The shrouds for cableglands are made in blue PVC and they are used to prevent deposits of dust or other substances on the surface of the cablegland and cable entry.

| Code | NPT Dimensions | ISO Dimensions |
|---------|----------------|----------------|
| SPM16BU | 3/8" | M16x1.5 |
| SPM1BU | 1/2" | M20x1.5 |
| SPM2BU | 3/4" | M25x1.5 |
| SPM3BU | 1" | M32x1.5 |
| SPM4BU | 1.1/4" | M40x1.5 |
| SPM5BU | 1.1/2" | M50x1.5 |
| SPM6BU | 2" | M63x1.5 |
| SPM7BU | 2.1/2" | M75x1.5 |
| SPM8BU | 3" | M85x1.5 |
| SPM9BU | 3" | M90x1.5 |



LOCKNUT SERIES DL

The locknuts are used to hold the cable gland, adaptors or plugs up to the walls of the equipment. Ensure the restraining to the entry of enclosure.

| Code | ISO Dimensions | Code | NPT Dimensions |
|-------|----------------|-------|----------------|
| DL16B | M16x1.5 | DL38B | 3/8" |
| DL20B | M20x1.5 | DL1B | 1/2" |
| DL25B | M25x1.5 | DL2B | 3/4" |
| DL32B | M32x1.5 | DL3B | 1" |
| DL40B | M40x1.5 | DL4B | 1.1/4" |
| DL50B | M50x1.5 | DL5B | 1.1/2" |
| DL63B | M63x1.5 | DL6B | 2" |
| DL75B | M75x1.5 | DL7B | 2.1/2" |
| DL85B | M85x1.5 | DL8B | 3" |
| DL90B | M90x1.5 | DL9B | 3" |



Also available in AISI 316L. Code with "s" on final. Example DL20S

EARTHING TAG SERIES ET

The earthing tags are installed between the cable gland and the electrical equipment

| Code | ISO Dimensions | Code | NPT Dimensions |
|-------|----------------|-------|----------------|
| ET16B | M16x1.5 | ET38B | 3/8" |
| ET20B | M20x1.5 | ET1B | 1/2" |
| ET25B | M25x1.5 | ET2B | 3/4" |
| ET32B | M32x1.5 | ET3B | 1" |
| ET40B | M40x1.5 | ET4B | 1.1/4" |
| ET50B | M50x1.5 | ET5B | 1.1/2" |
| ET63B | M63x1.5 | ET6B | 2" |
| ET75B | M75x1.5 | ET7B | 2.1/2" |
| ET85B | M85x1.5 | ET8B | 3" |
| ET90B | M90x1.5 | ET9B | 3" |



Also available in AISI 316L. Code with "s" on final. Example ET20S

DISTRIBUITO DA- DISTRIBUTED BY



GCE SRL



MILANO - ITALY

www.antideflagranti.com

LOCKNUT SERIES DLC

The locknuts are used to hold the cable gland, adaptors or plugs up to the walls of the equipment. Ensure the restraining to the entry of enclosure.

| Code | ISO Dimensions | Code | NPT Dimensions |
|--------|----------------|--------|----------------|
| DLC16B | M16x1.5 | DLC38B | 3/8" |
| DLC20B | M20x1.5 | DLC1B | 1/2" |
| DLC25B | M25x1.5 | DLC2B | 3/4" |
| DLC32B | M32x1.5 | DLC3B | 1" |
| DLC40B | M40x1.5 | DLC4B | 1.1/4" |
| DLC50B | M50x1.5 | DLC5B | 1.1/2" |
| DLC63B | M63x1.5 | DLC6B | 2" |
| DLC75B | M75x1.5 | DLC7B | 2.1/2" |
| DLC85B | M85x1.5 | DLC8B | 3" |
| DLC90B | M90x1.5 | DLC9B | 3" |



Also available in AISI 316L. Code with "s" on final. Example DLC20S

GASKET SERIES SW

Used to obtain the required grade of protection of cable glands. Made in white teflon.

| Code | ISO Dimensions | Code | NPT Dimensions |
|-------|----------------|-------|----------------|
| SW16T | M16x1.5 | SW38T | 3/8" |
| SW20T | M20x1.5 | SW1T | 1/2" |
| SW25T | M25x1.5 | SW2T | 3/4" |
| SW32T | M32x1.5 | SW3T | 1" |
| SW40T | M40x1.5 | SW4T | 1.1/4" |
| SW50T | M50x1.5 | SW5T | 1.1/2" |
| SW63T | M63x1.5 | SW6T | 2" |
| SW75T | M75x1.5 | SW7T | 2.1/2" |
| SW85T | M85x1.5 | SW8T | 3" |
| SW90T | M90x1.5 | SW9T | 3" |

**SERRATED WASHER SERIES SR**

The serrated washer are used together with lock nuts to prevent the loose of the attachment. Made in AISI 316L

| Code | ISO Dimensions | Code | NPT Dimensions |
|-------|----------------|-------|----------------|
| SR16B | M16x1.5 | SR38B | 3/8" |
| SR20B | M20x1.5 | SR1B | 1/2" |
| SR25B | M25x1.5 | SR2B | 3/4" |
| SR32B | M32x1.5 | SR3B | 1" |
| SR40B | M40x1.5 | SR4B | 1.1/4" |
| SR50B | M50x1.5 | SR5B | 1.1/2" |
| SR63B | M63x1.5 | SR6B | 2" |
| SR75B | M75x1.5 | SR7B | 2.1/2" |
| SR85B | M85x1.5 | SR8B | 3" |
| SR90B | M90x1.5 | SR9B | 3" |



DISTRIBUITO DA- DISTRIBUTED BY



GCE SRL



MILANO - ITALY

www.antideflagranti.com

FILLING COMPOUND – BICOMPONENT RESIN REPM-1

Epoxide resin with an excellent resistance grade to chemicals, heat and water. It is available in 50 ml cartridges.

It is used as sealant into the cable glands bushing series PMX, PMAX, PMMX and PMFX to prevent the propagation of the flames.

Operative temperature: -20°C ÷ +80°C

| Cable gland dimension | N° of cable glands filled with one cartridge* |
|-----------------------|---|
| M16x1.5 - 3/8" | 25 |
| M20x1.5 - 1/2" | 20 |
| M25x1.5 - 3/4" | 10 |
| M32x1.5 - 1" | 5 |
| M40x1.5 - 1.1/4" | 3 |
| M50x1.5 - 1.1/2" | 2 |
| M63x1.5 - 2" | 1 |
| M70x1.5 - 2.1/2" | 1 |
| M85x1.5 - 3" | 0.5 |
| M90x1.5 - 3" | 0.5 |



*The value is purely indicative. The real number depends on the type and the dimension of the cable used

MANUAL APPLICATOR FOR 50ML CARTRIDGE SERIES APM50

Using with REPM-1 50ml cartridges.
Lightweight, easy to use applicator and easy to load.
Usable with one hand.
Code: APM50

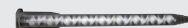


DISTRIBUITO DA- DISTRIBUTED BY

GCE SRL

**REPLACEMENT NOZZLE FOR 50ML CARTRIDGES BC-REPM-1**

Replacement nozzle for 50ml cartridges.
Code: BC-REPM-1



MILANO - ITALY

www.antideflagranti.com